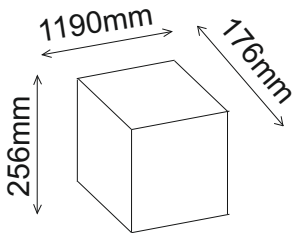
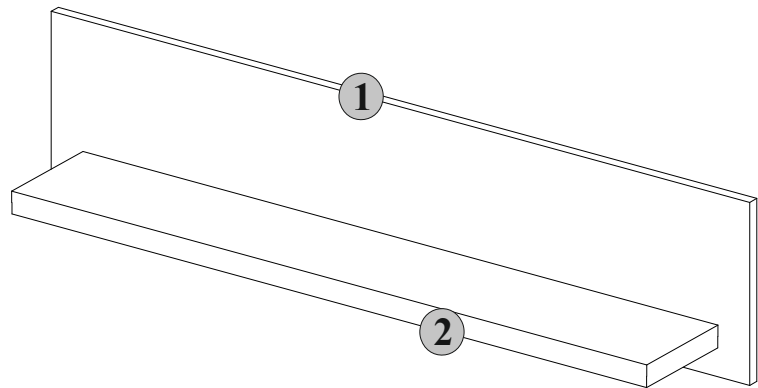
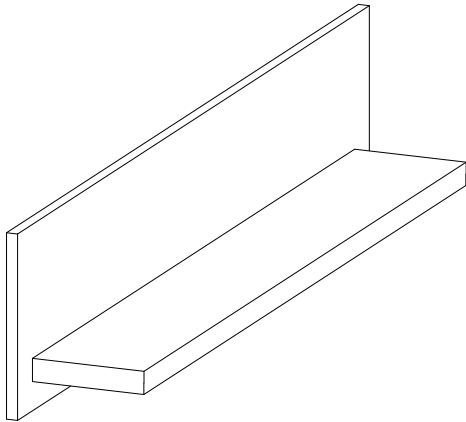


number	Measurements	Pcs.
1	1190x256	1
2	1090x160	1



2x



n3

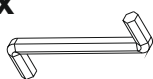
4x



φ5x10.5 mm

e3

1x



z1

4x



e1

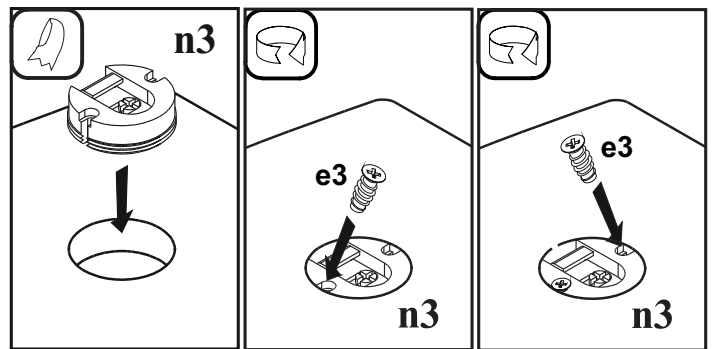
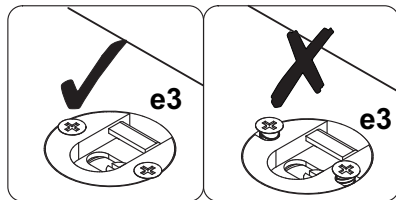
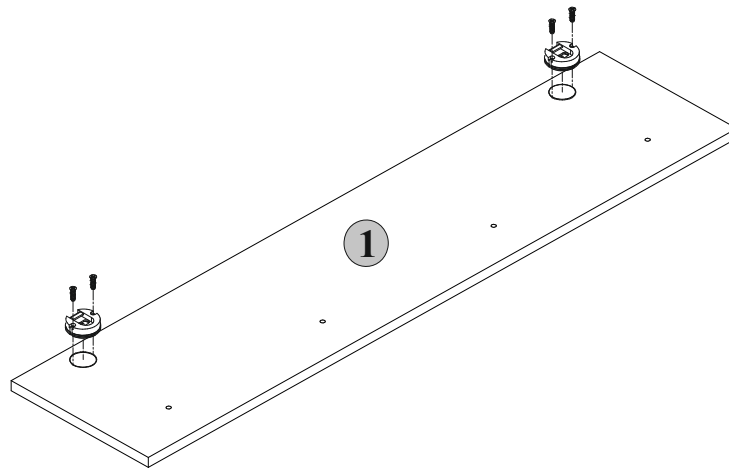
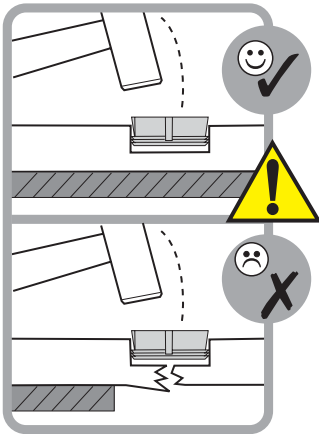
4x



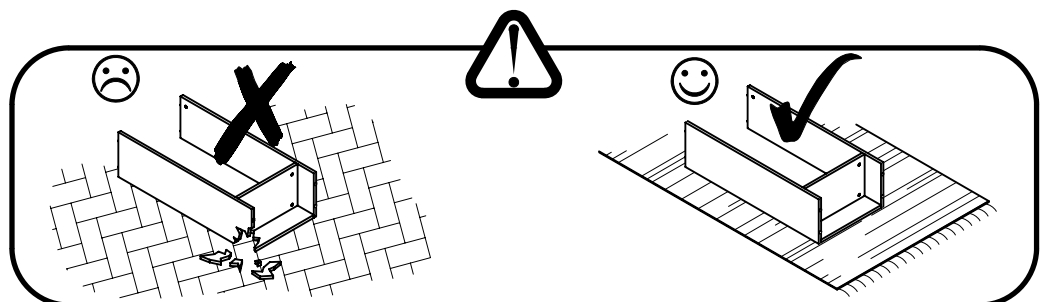
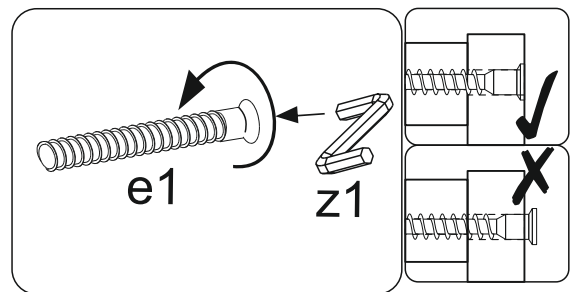
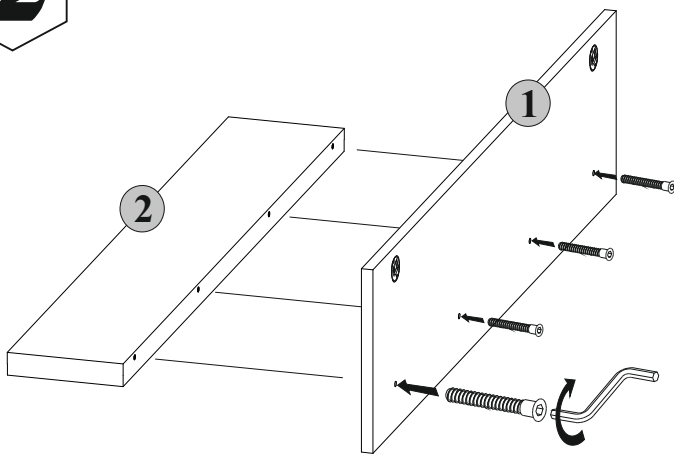
s1

1

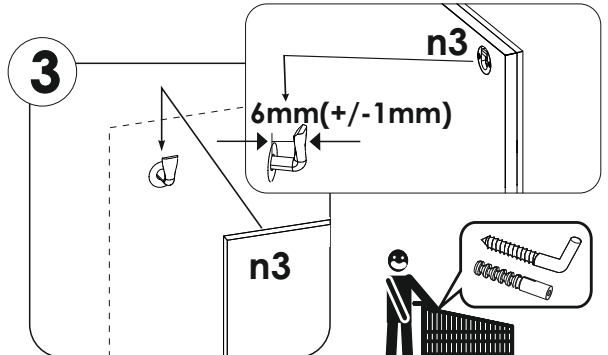
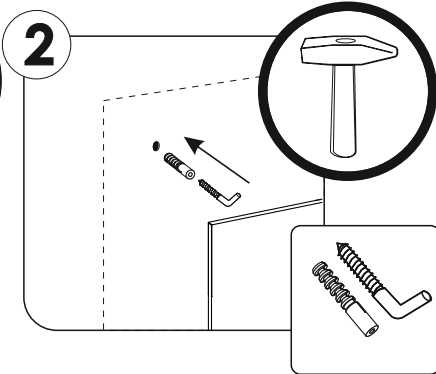
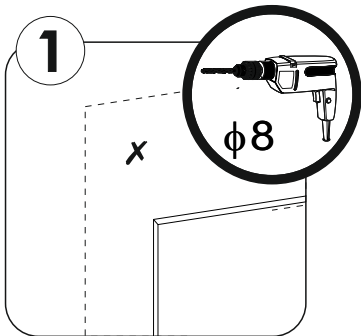
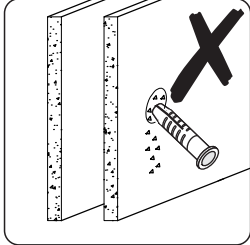
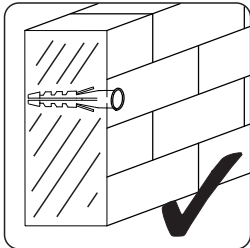
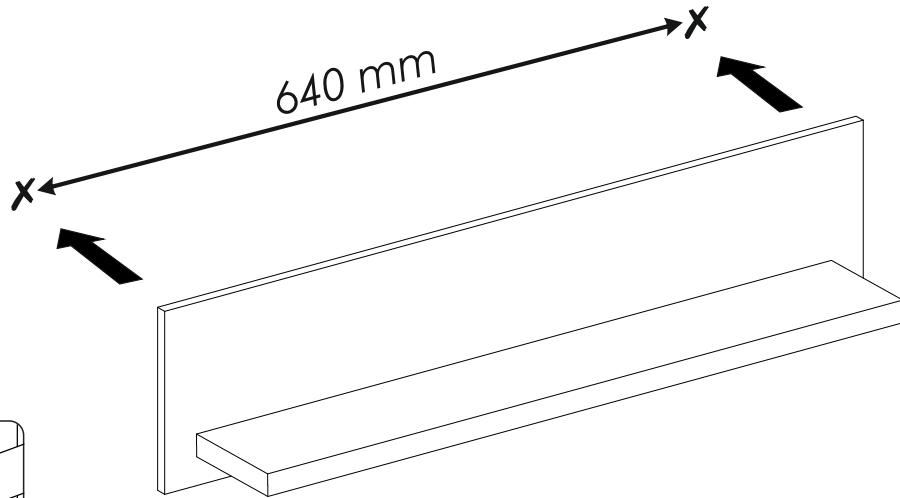
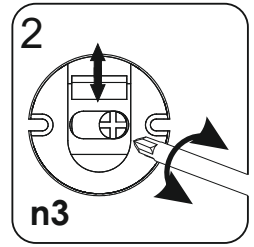
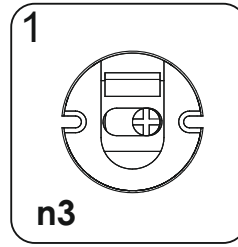
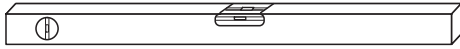
# I



# 2



**3**



**3**