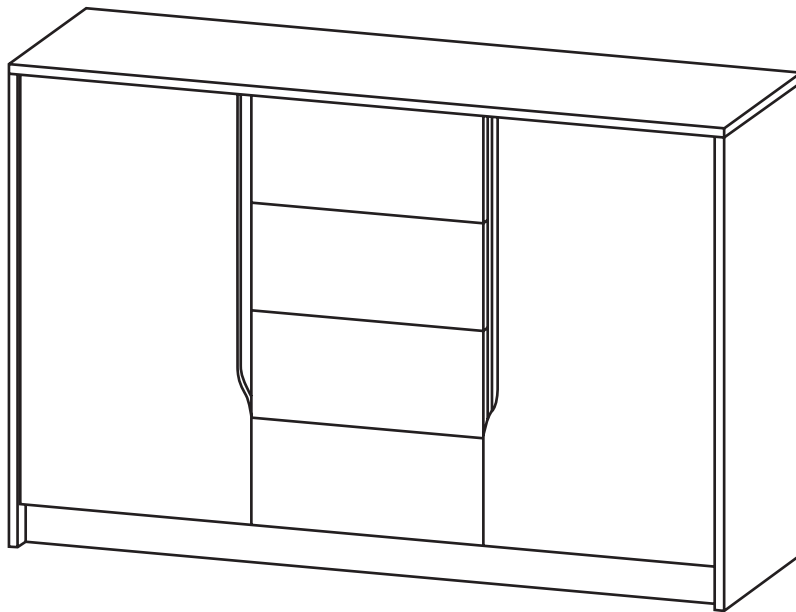


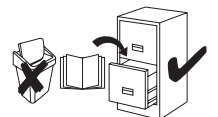
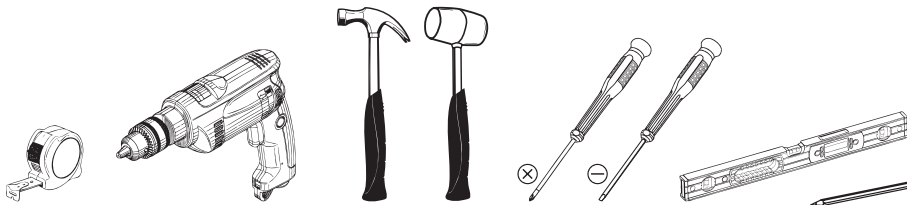
SEGA

B

B - 1380 mm / 920 mm / 420 mm

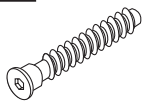
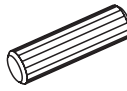
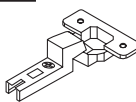
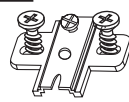
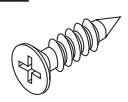
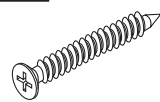
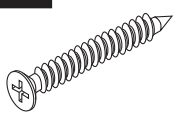

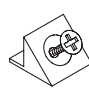
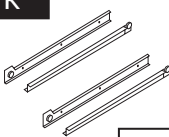
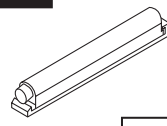
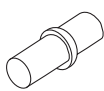
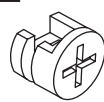

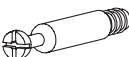
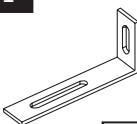
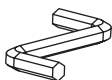




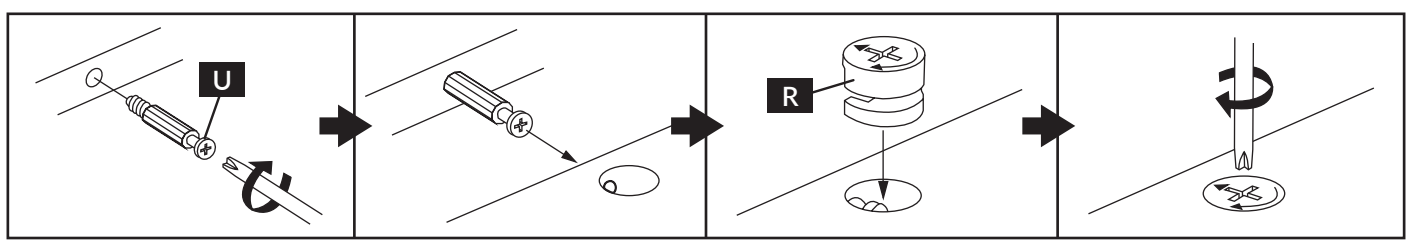
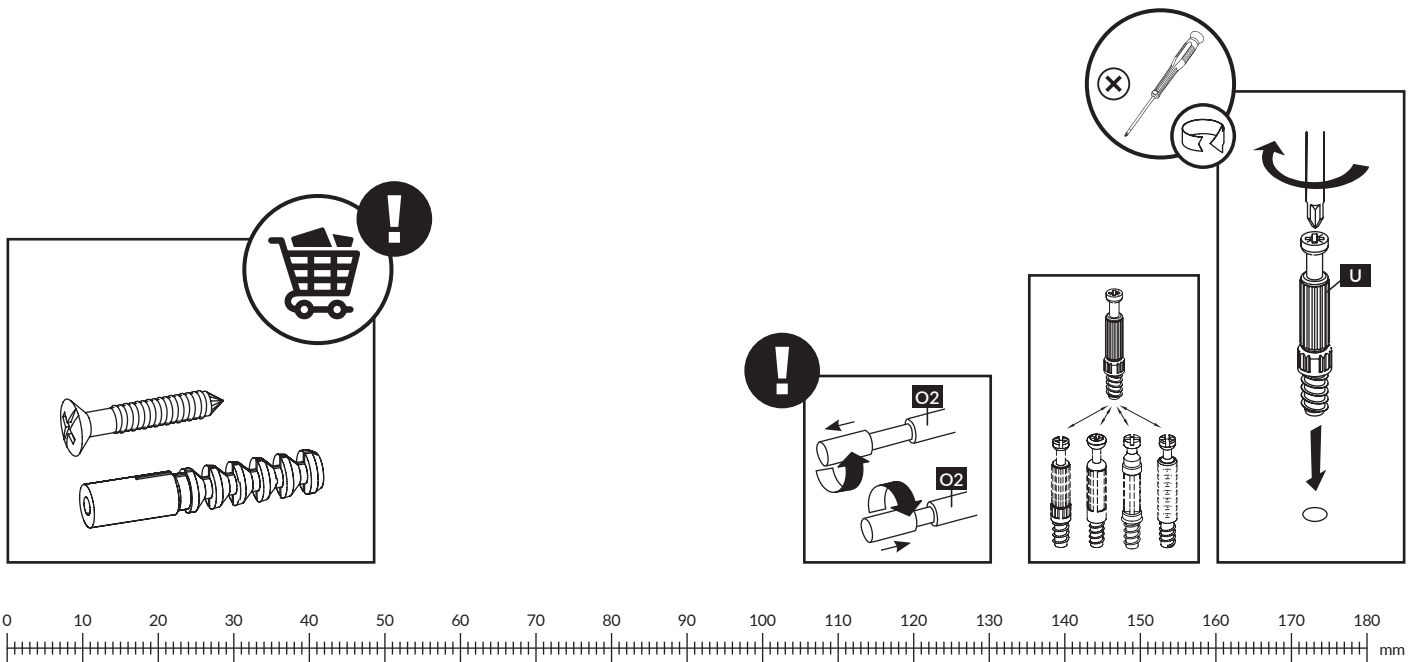
 200 min.



SEGA - B - 1

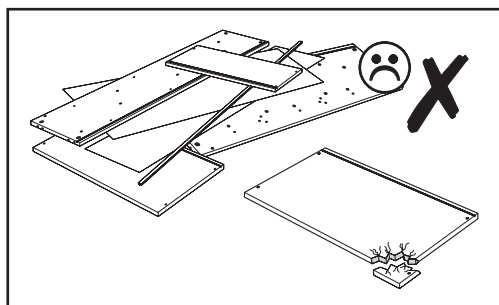
B:

A  7 x 50 mm x 5	B  8 x 32 mm x 56	C2  (Z) x 4	DT  x 4	E  3,5 x 13 mm x 17	E2  3 x 20 mm x 64
E8  4 x 25 mm x 4	G2  x 6	H1  x 7	K  L=350 mm x 4	O2  x 4	P  x 8
R  H=11 mm x 12	T3  5 x 9 mm x 16	U  L=24,3 mm x 12	W1  x 1	XA  x 1	XG  GLUE x 2
ZR  Ø 15 x 8					

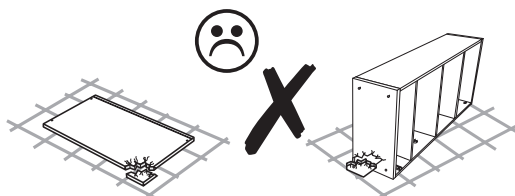
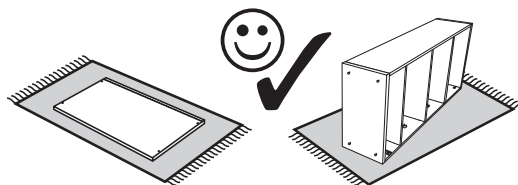
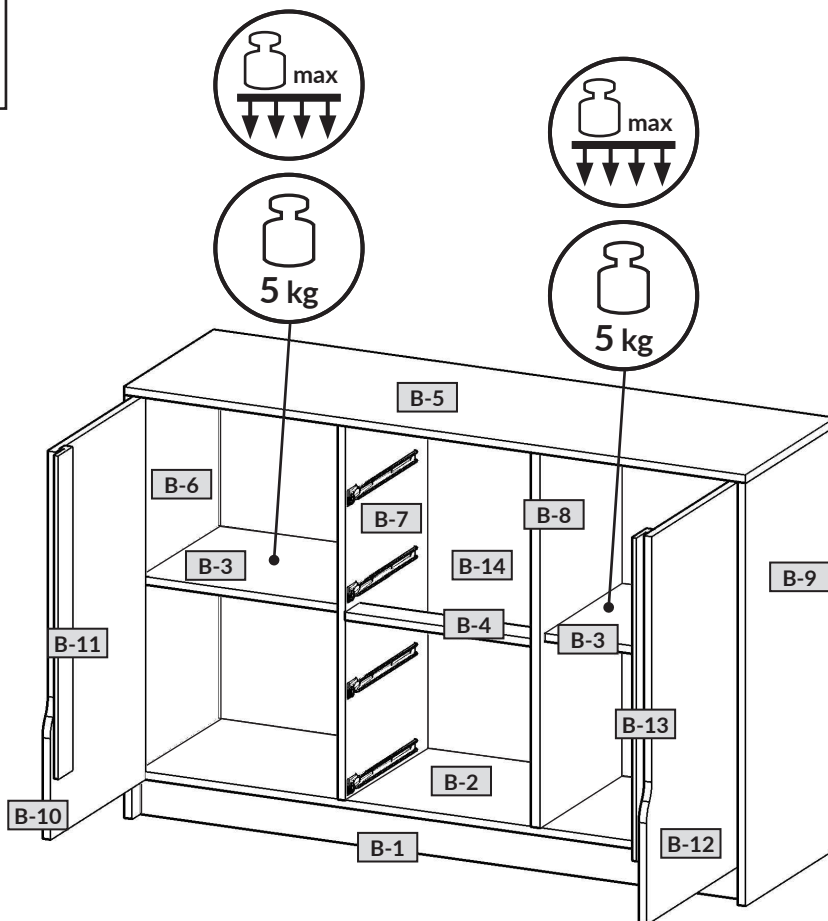
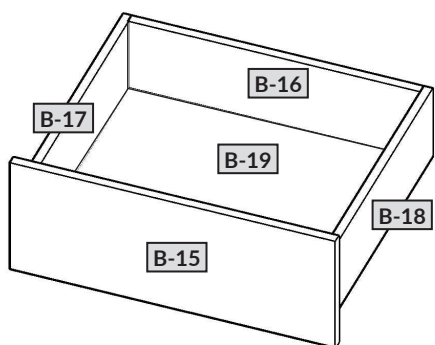


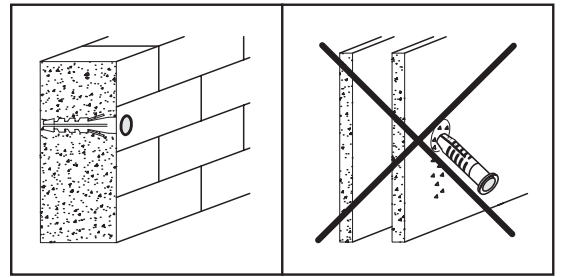
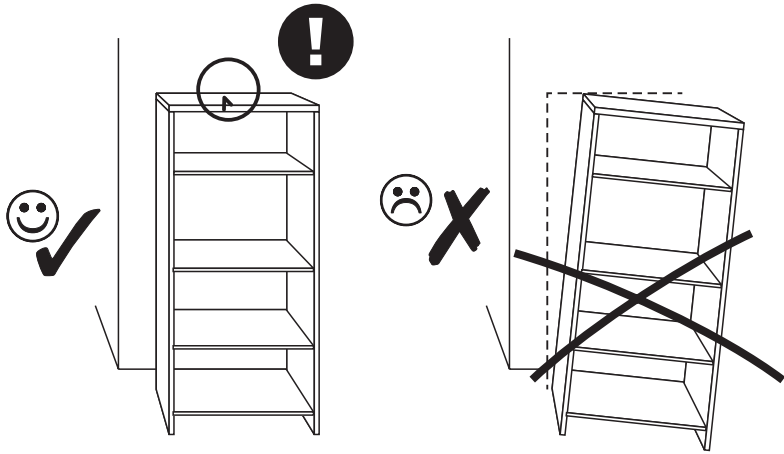
1	B-1	1349 / 80 / 16 mm	x 1
2	B-2	1349 / 385 / 16 mm	x 1
3	B-3	450 / 369 / 16 mm	x 2
4	B-4	417 / 65 / 16 mm	x 1
5	B-5	1381 / 420 / 22 mm	x 1
6	B-6	892 / 420 / 16 mm	x 1
7	B-7	796 / 385 / 16 mm	x 1
8	B-8	796 / 385 / 16 mm	x 1
9	B-9	892 / 420 / 16 mm	x 1
10	B-10	452 / 809 / 16 mm	x 1

11	B-11	610 / 65 / 17 mm	x 1
12	B-12	452 / 809 / 16 mm	x 1
13	B-13	610 / 65 / 17 mm	x 1
14	B-14	1362 / 818 / 3 mm	x 1
15	B-15	436 / 200 / 16 mm	x 4
16	B-16	360 / 120 / 16 mm	x 4
17	B-17	350 / 120 / 16 mm	x 4
18	B-18	350 / 120 / 16 mm	x 4
19	B-19	390 / 356 / 3 mm	x 4

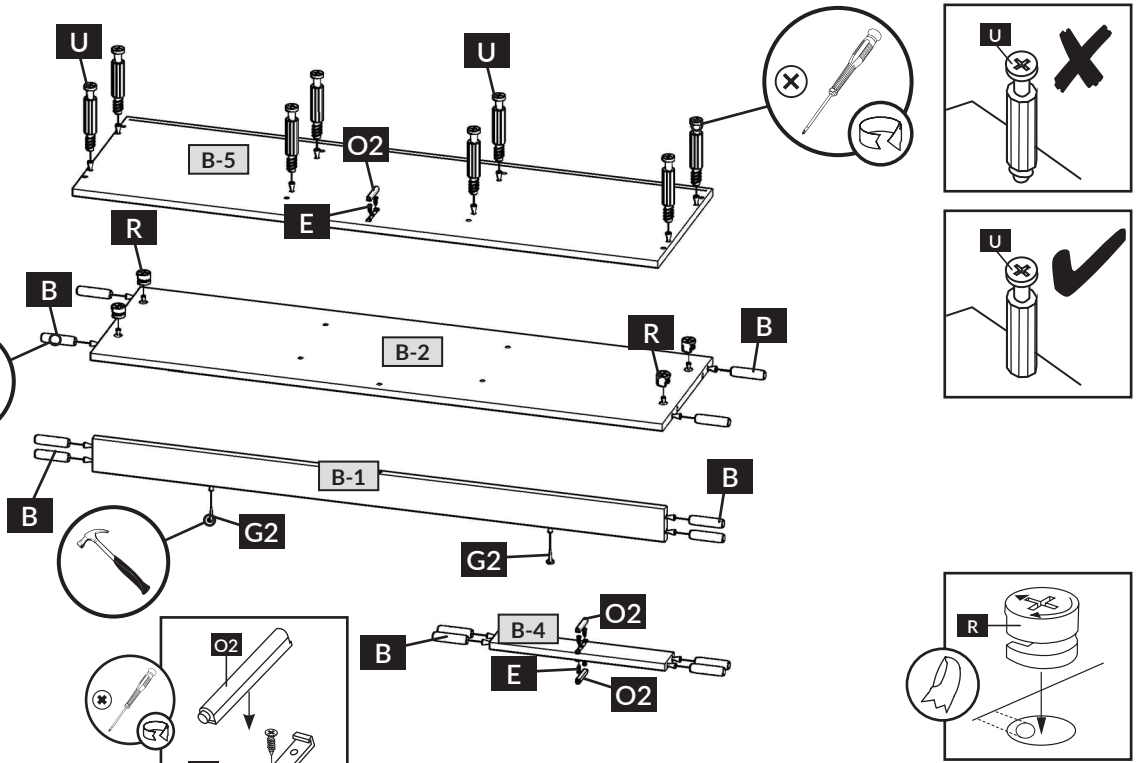
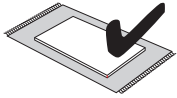


4x
↓

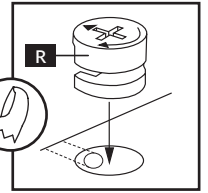
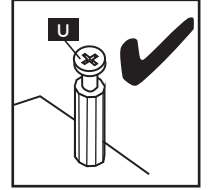
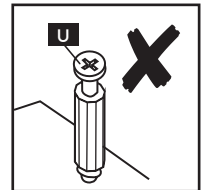




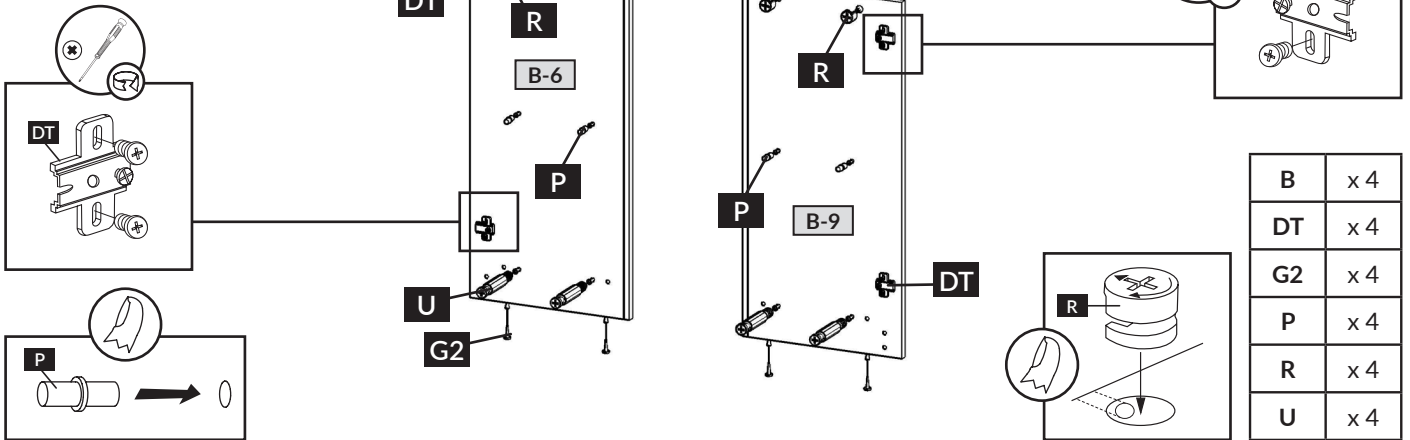
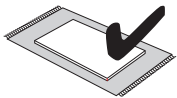
B / 1



B	x 12
E	x 6
G2	x 2
O2	x 3
R	x 4
U	x 8

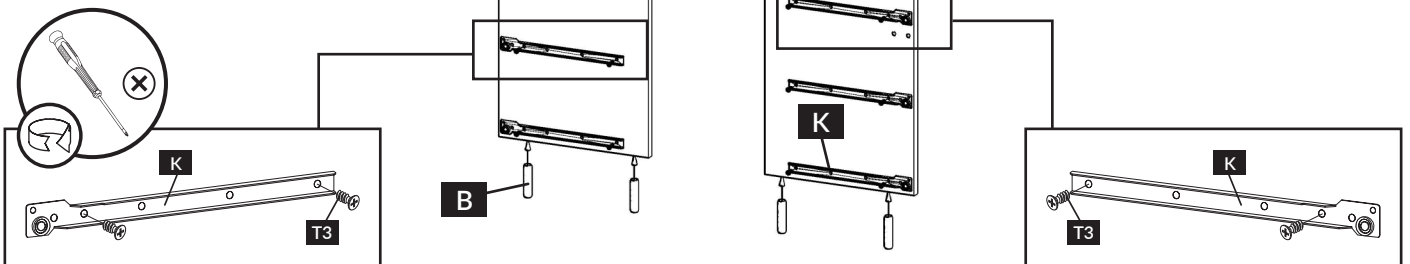
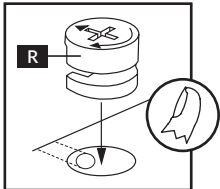


B / 2



B	x 4
DT	x 4
G2	x 4
P	x 4
R	x 4
U	x 4

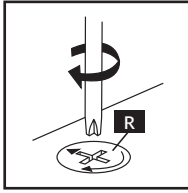
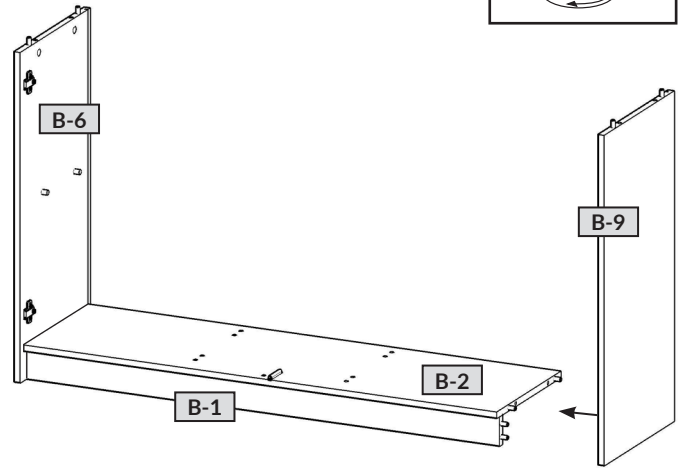
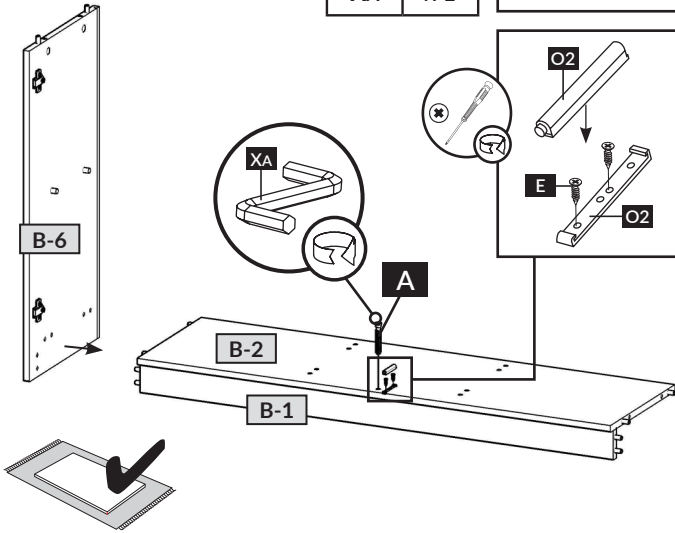
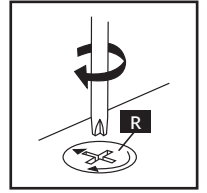
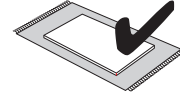
B / 3



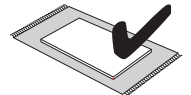
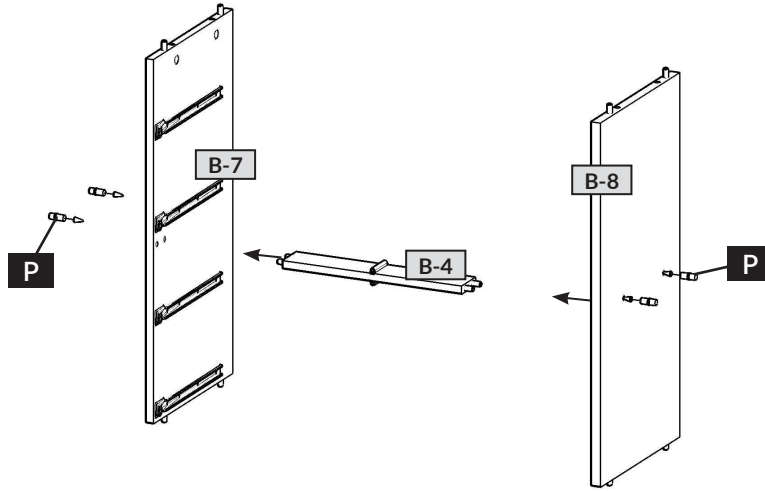
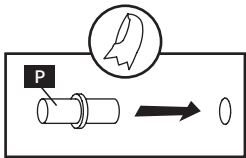
B	x 8
K	x 4
R	x 4
T3	x 16

B / 4

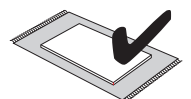
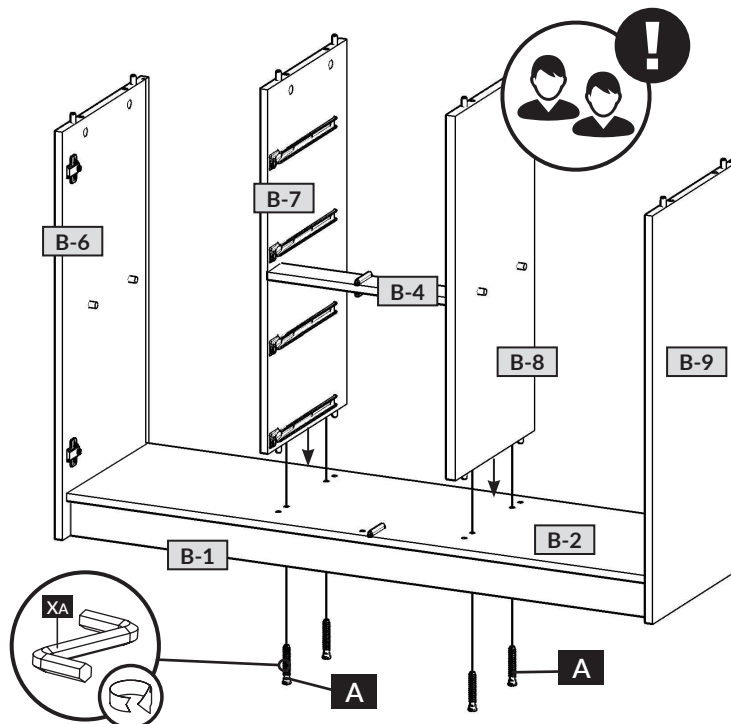
A	x1
E	x2
O2	x1
XA	x1

**B / 5****B / 6**

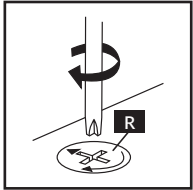
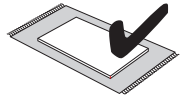
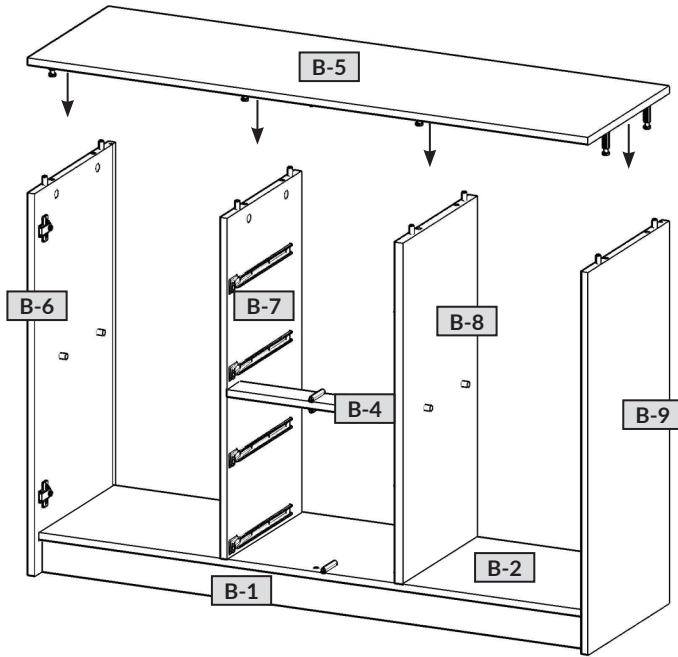
P	x4
---	----

**B / 7**

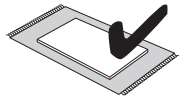
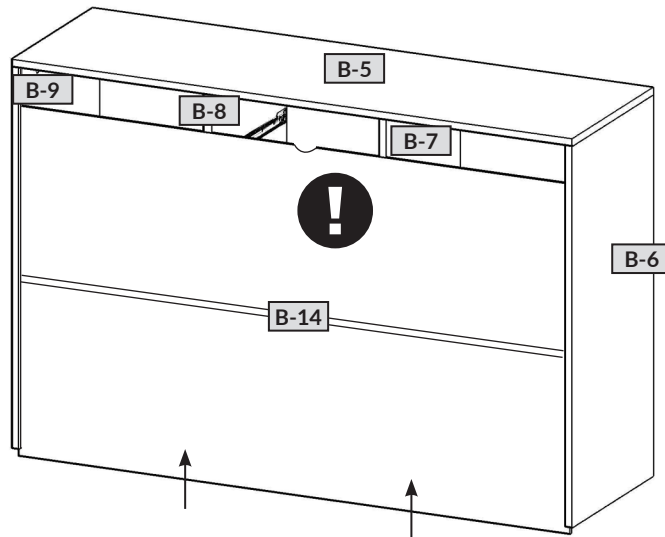
A	x4
XA	x1



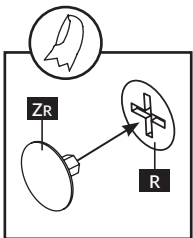
B / 8



B / 9

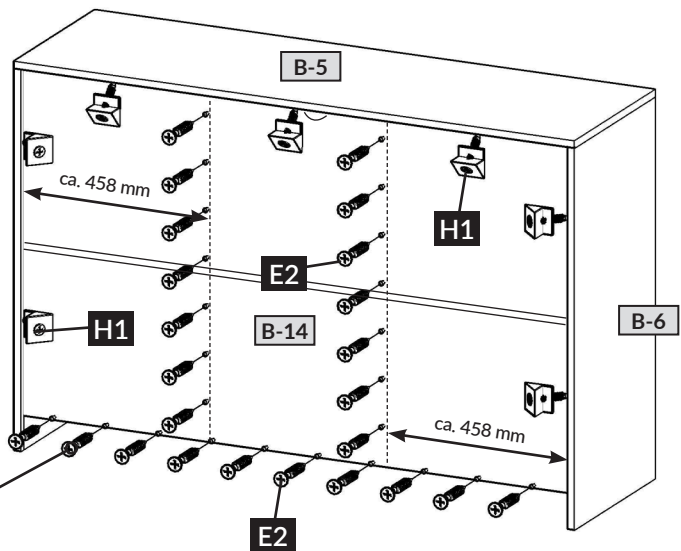
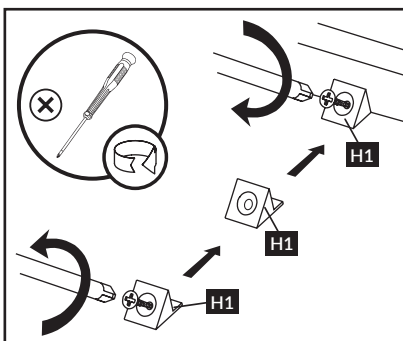
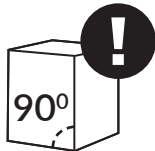
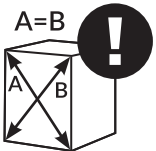
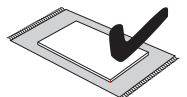


ZR	x 8
----	-----

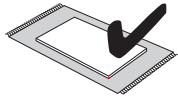


B / 10

E2	x 24
H1	x 7

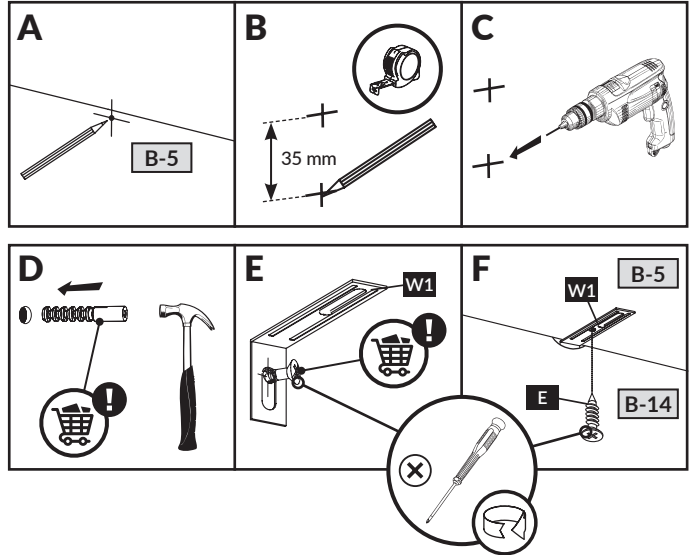
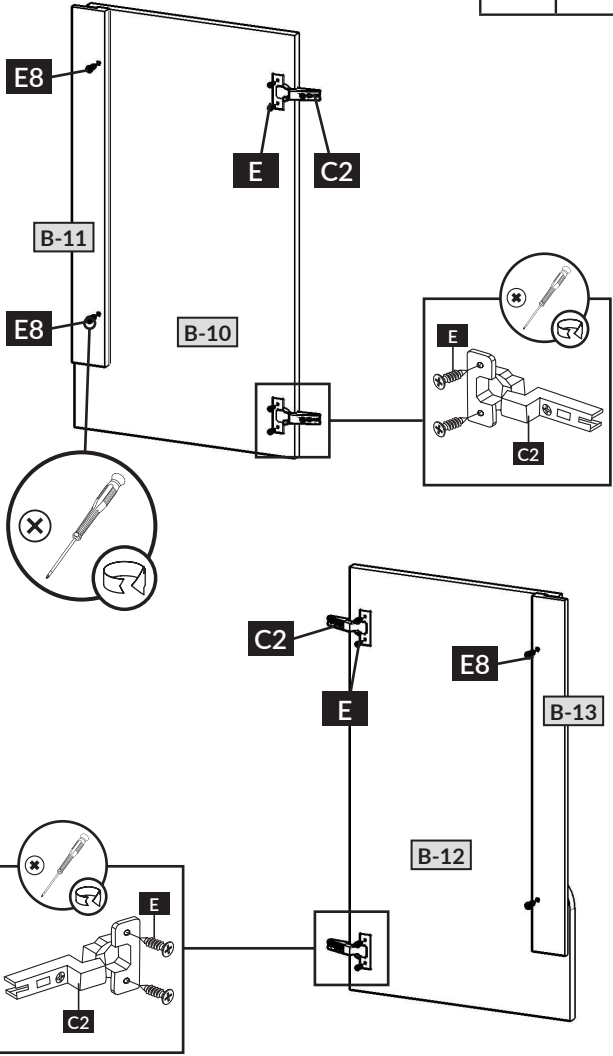
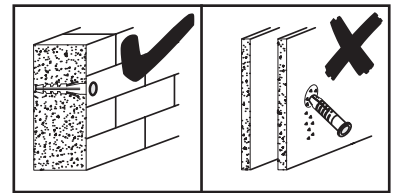


B / 11

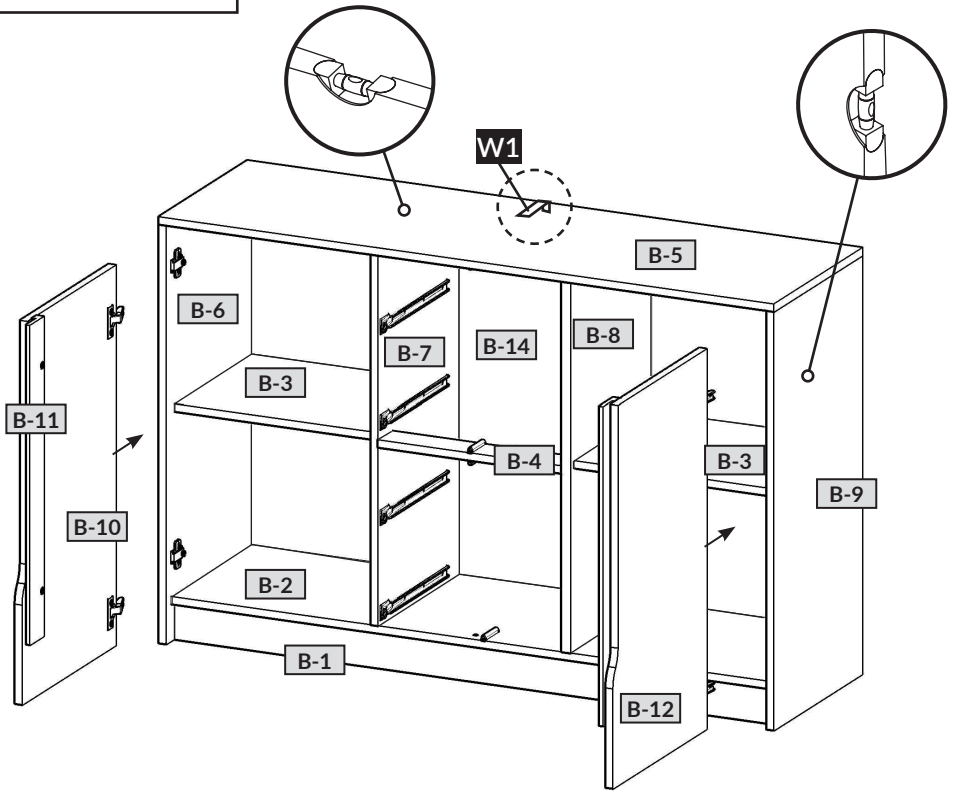
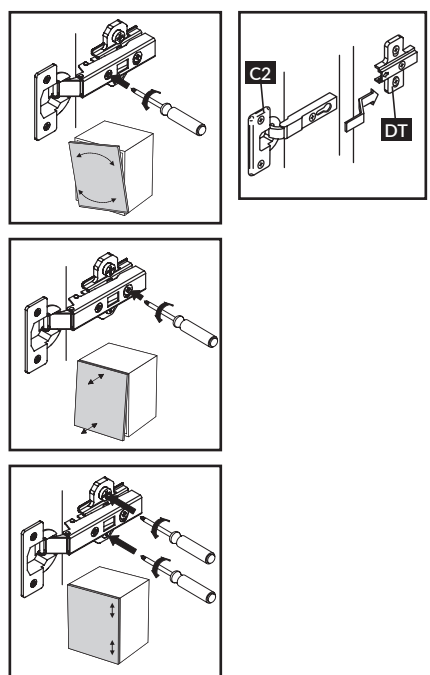


C2	x 4
E	x 8
E8	x 4

B / 12

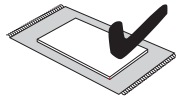


E	x 1
W1	x 1

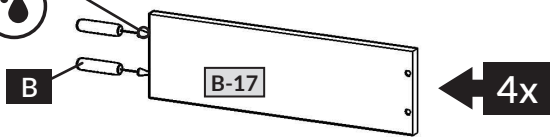
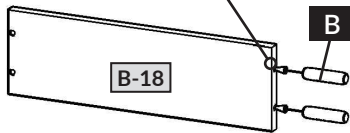


B / 13

B x 32

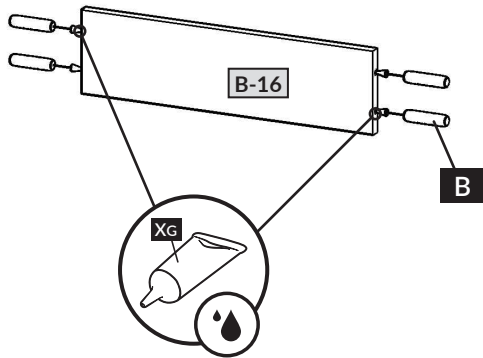


4x



4x

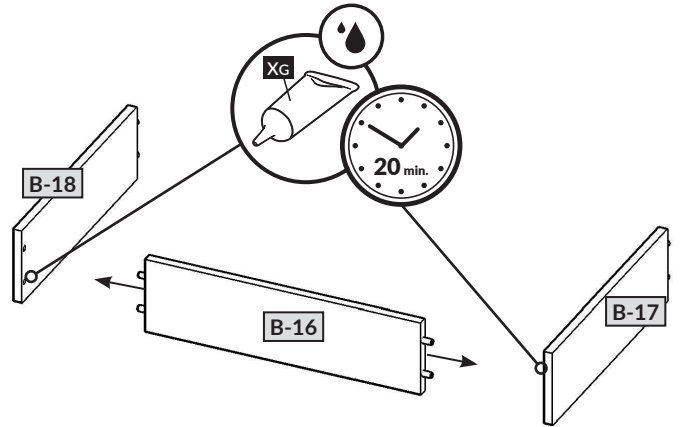
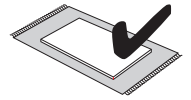
4x



B / 14

XG x 1

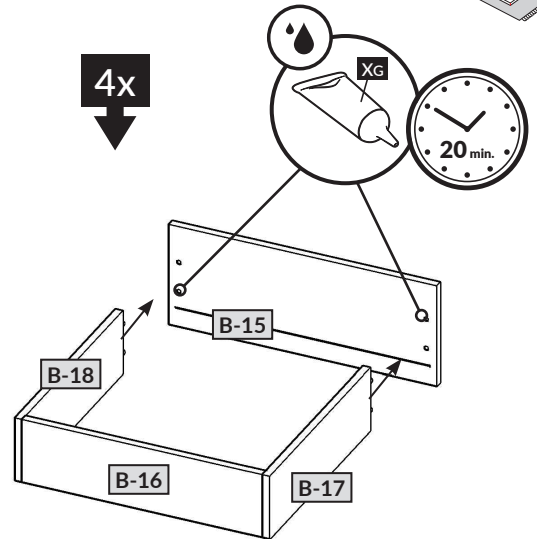
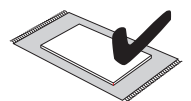
4x



B / 15

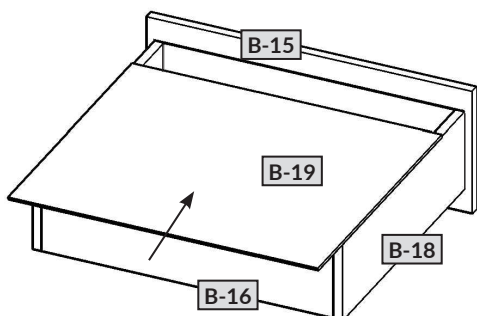
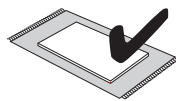
XG x 1

4x



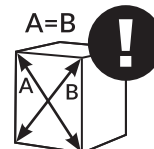
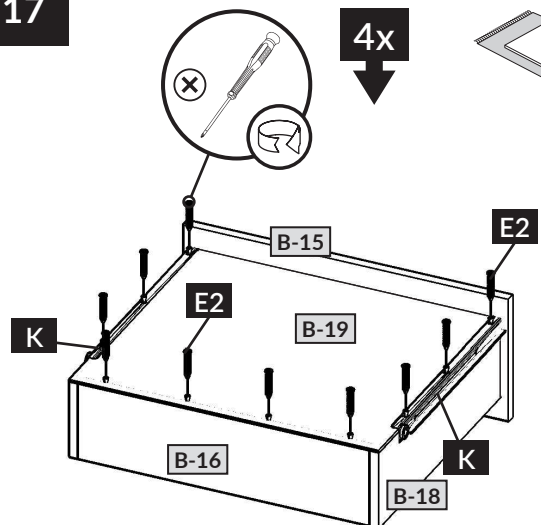
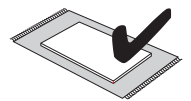
B / 16

4x



B / 17

4x



E2	x 40
K	x 4