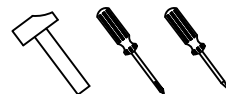
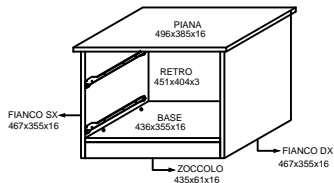
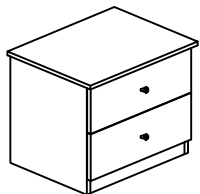


Notice de montage  
Assembling scheme

MOD. ECO 2017

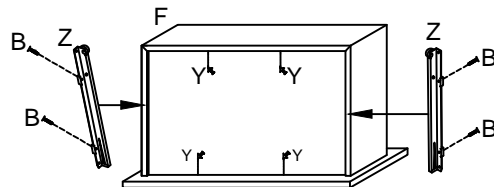
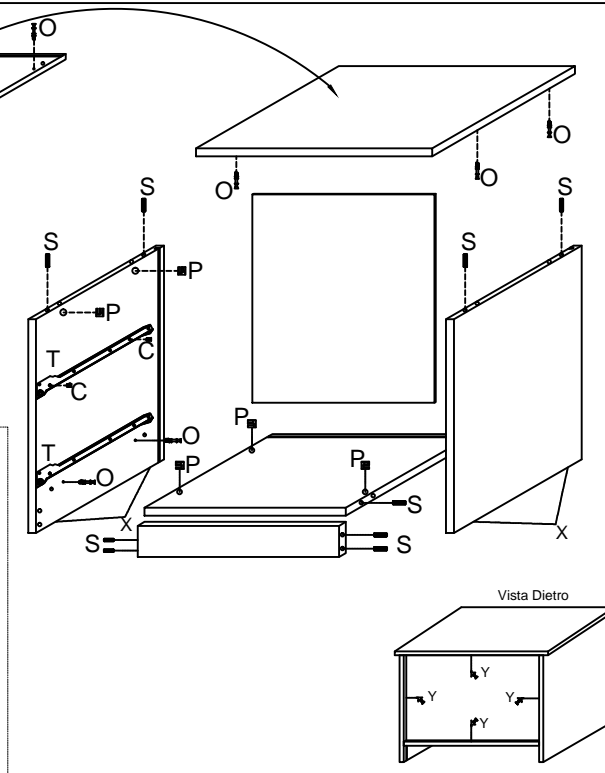
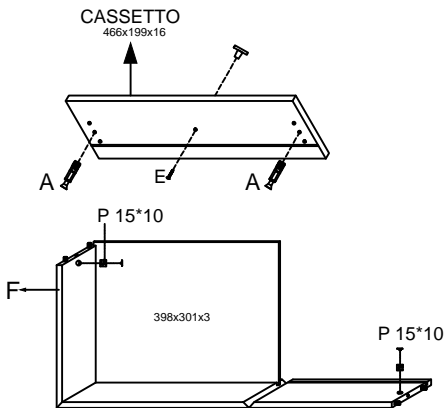


# Notice de montage Assembling scheme CMD ECO ZMT



## COMODINO

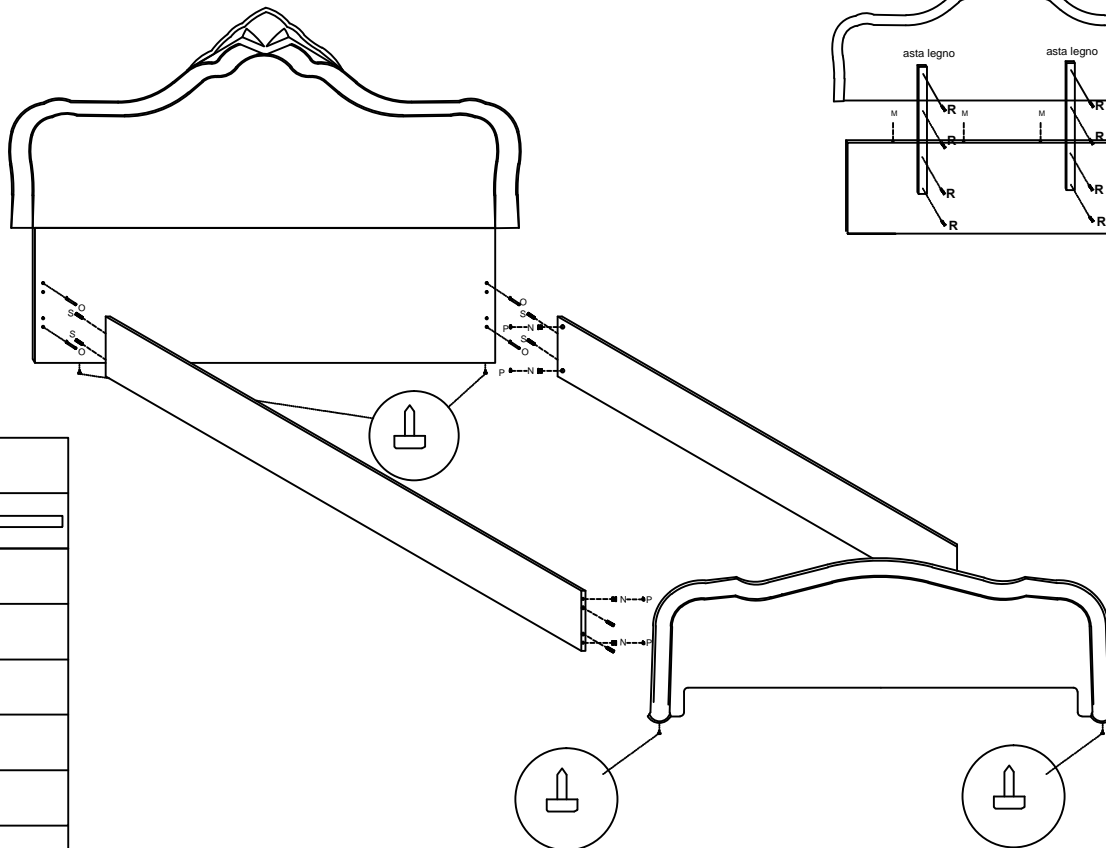
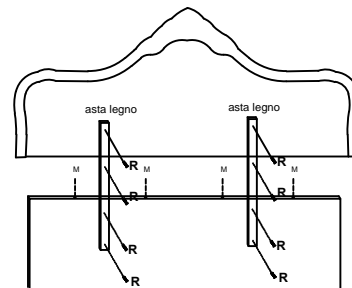
|                              |                              |                      |
|------------------------------|------------------------------|----------------------|
| <b>A</b><br>N°4<br>          | <b>P</b><br>N°4<br>          | <b>B</b><br>N°12<br> |
| <b>X</b><br>N°4<br>          | <b>E</b><br>N°2<br>          |                      |
| <b>O</b><br>N°8<br>          | <b>P</b><br>N°8<br>          | <b>C</b><br>N°8<br>  |
| <b>S</b><br>N°12<br>         | <b>Y</b><br>N°12<br>         |                      |
| <b>Z</b><br>N°2 R+ N°2 L<br> | <b>T</b><br>N°2 R+ N°2 L<br> |                      |
| <b>F</b><br>N°2<br>          |                              |                      |



Notice de montage  
 Assembling scheme

MOD. ECCO LETTO

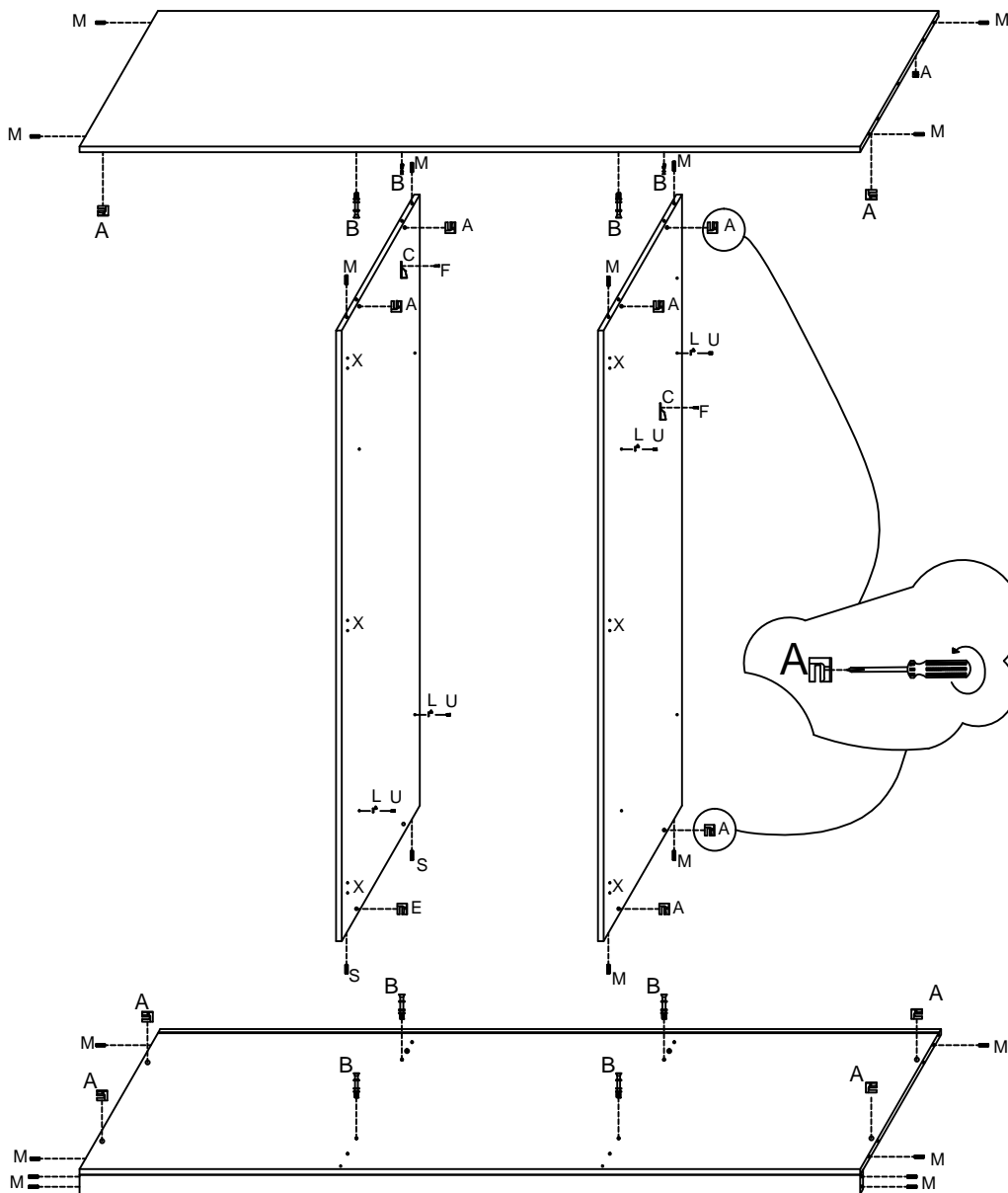
Vista retro testiera (montaggio)

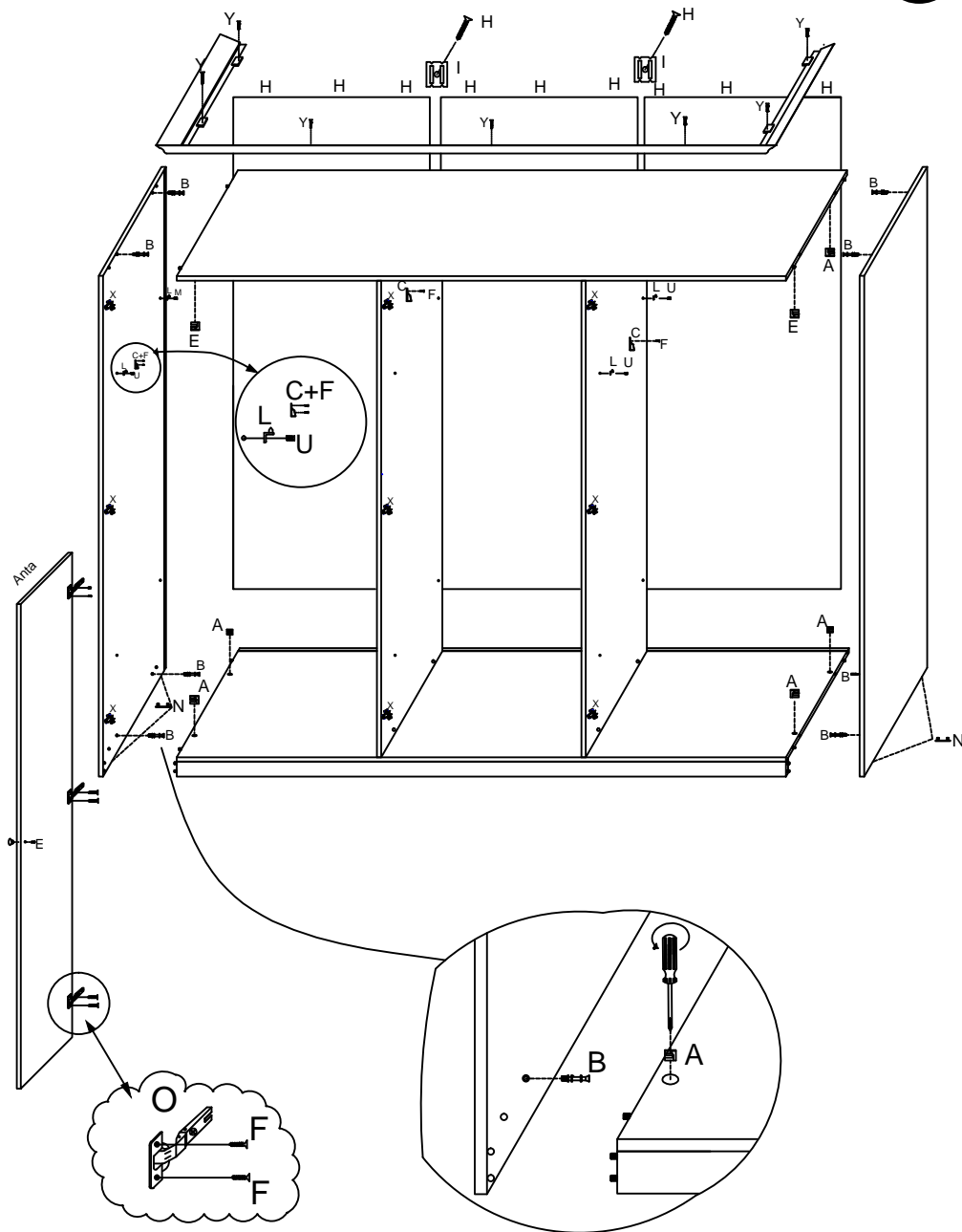


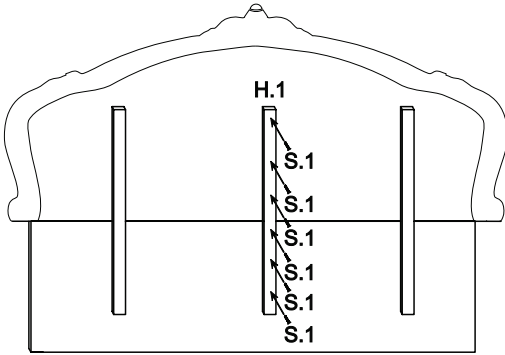
LETTO

|            |                           |
|------------|---------------------------|
| R          | 3*25<br>Nr 12             |
| asta legno |                           |
| Nr 2       |                           |
| S          | spine legno 10*30<br>Nr 8 |
| M          | spine legno 8*30<br>Nr 4  |
| N          | Nr 8                      |
| O          | Nr 8                      |
| P          | Nr 8                      |
|            | Nr 8                      |









**Hardware**

3\*25



S.1 x6

690mm x 45mm x 12mm

H.1 x1

Note: Skipping any steps could lead to improper assembly and damages.

