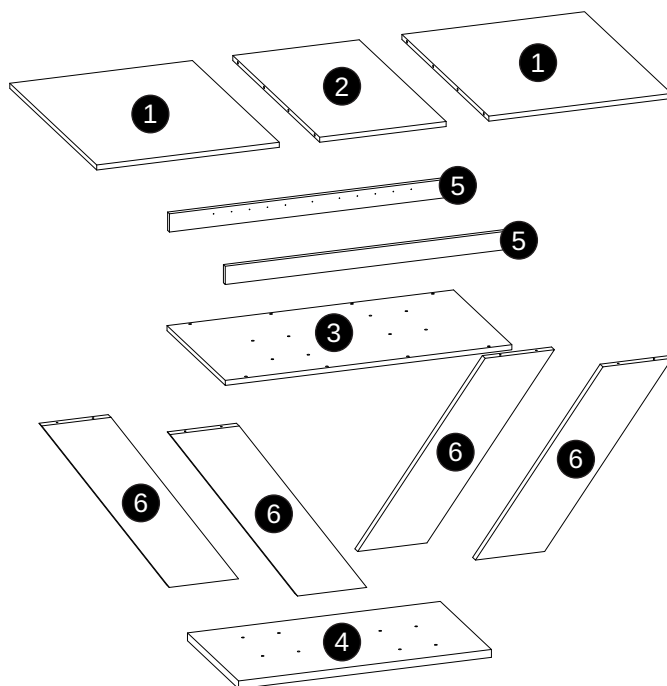
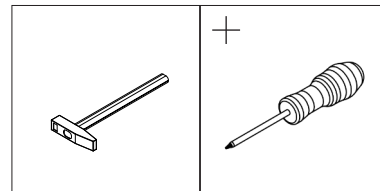
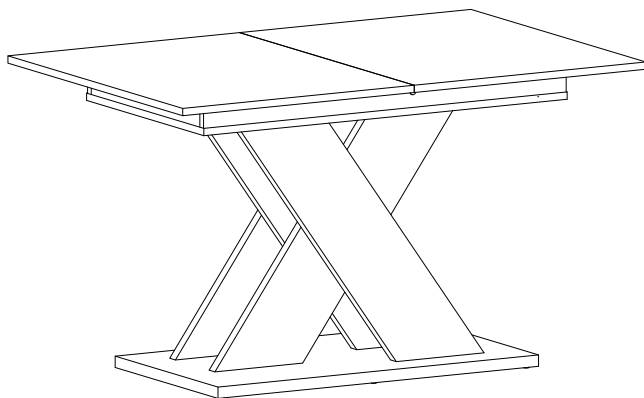





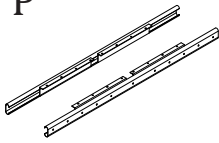



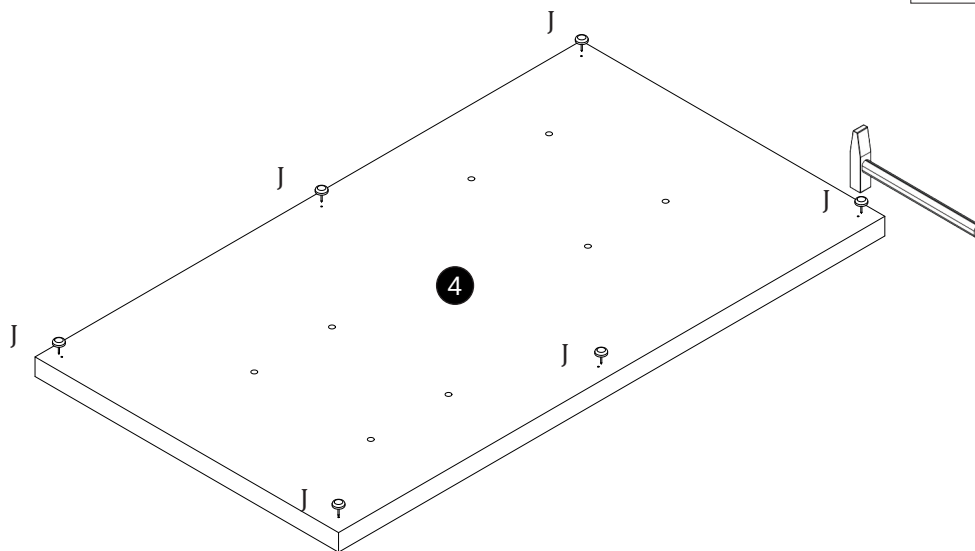
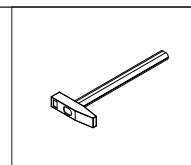
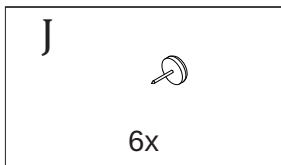


130x85x75cm

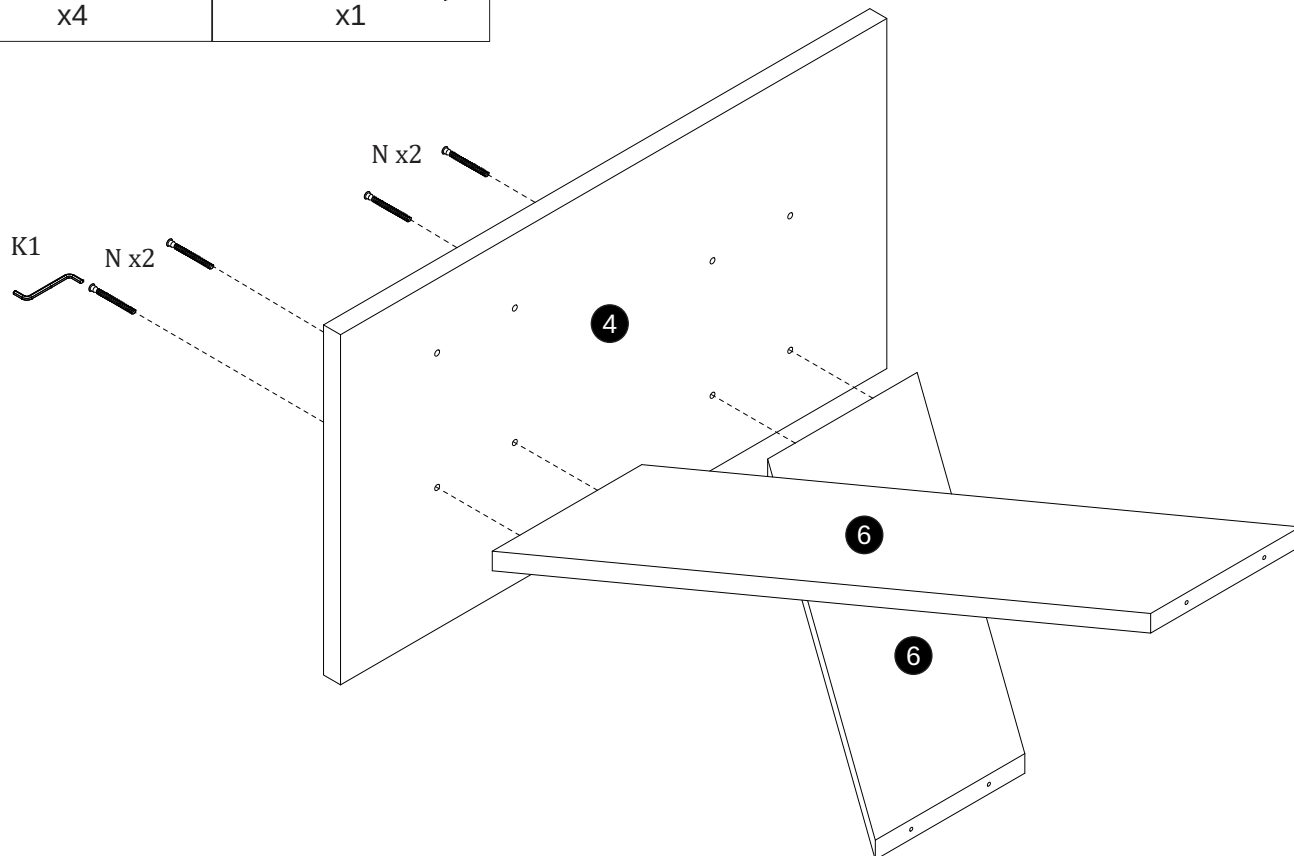
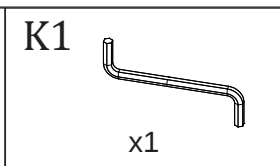
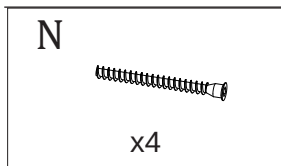


| | | | | |
|--------------------------------------------------------------------------------------------------------------------|---------------------------------------------------------------------------------------------------------|--------------------------------------------------------------------------------------------------------------------|----------------------------------------------------------------------------------------------------------|---------------------------------------------------------------------------------------------------------------------|
| <p>I</p>  <p>Ø8x35mm x8</p> | <p>F</p>  <p>x46</p> | <p>N</p>  <p>7x70mm x16</p> | <p>J</p>  <p>x6</p> | <p>O</p>  <p>7x50mm x8</p> |
| <p>P</p>  <p>x1</p> | <p>M</p>  <p>x4</p> | <p>K1</p>  <p>x1</p> | <p>K2</p>  <p>x16</p> | |

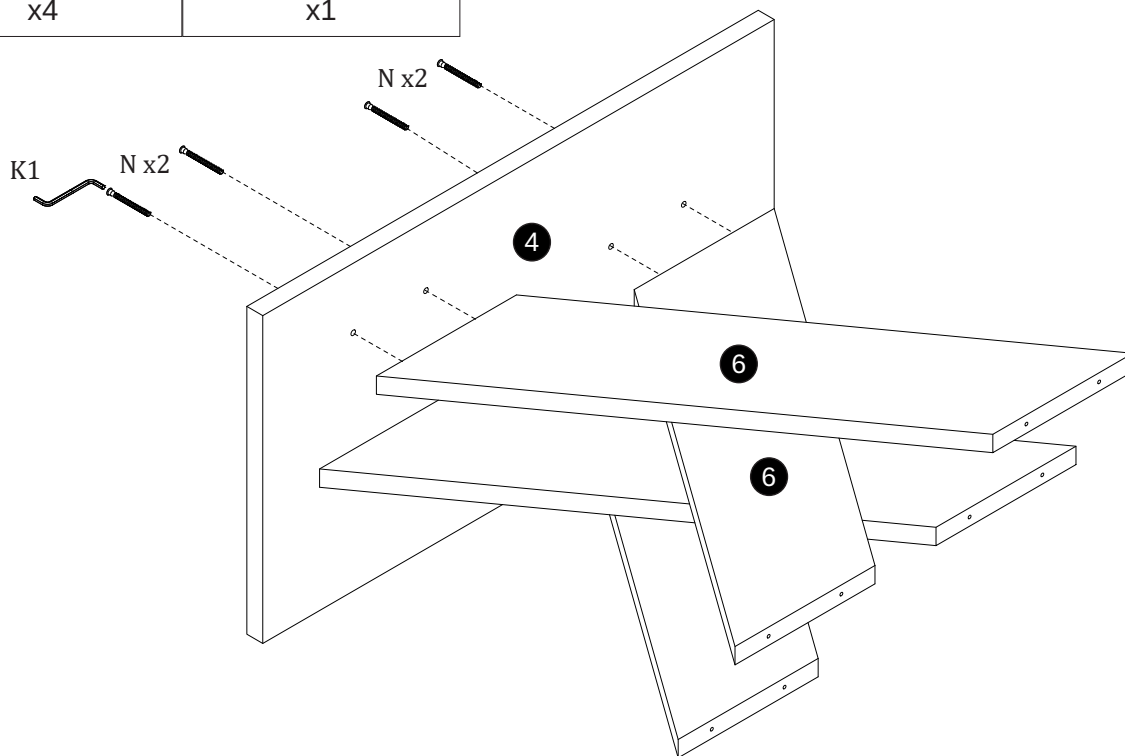
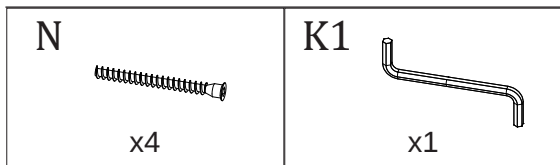
1



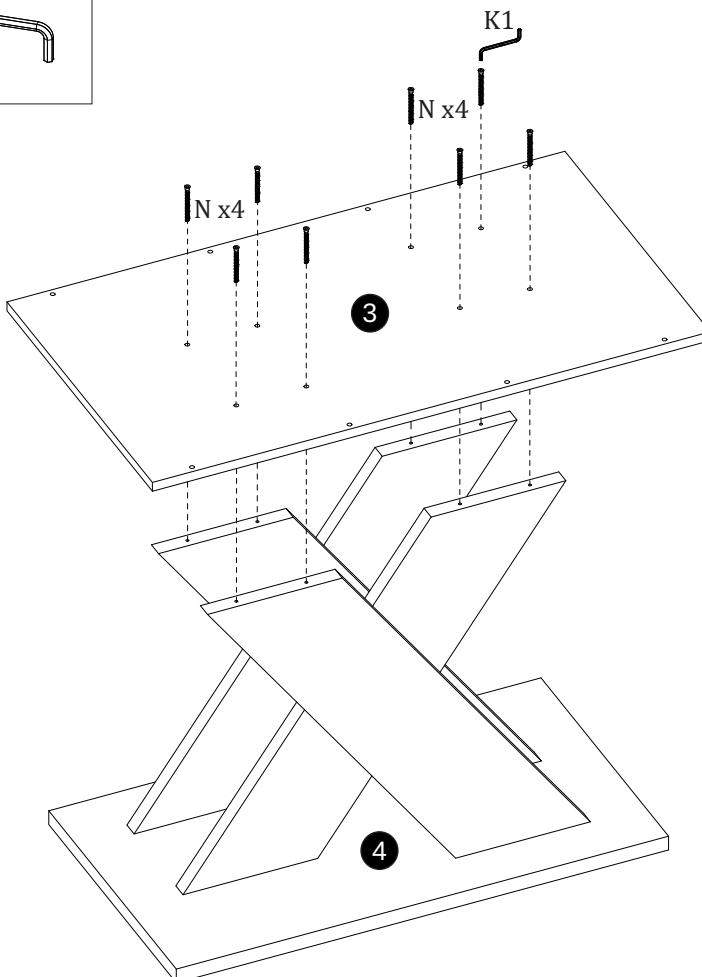
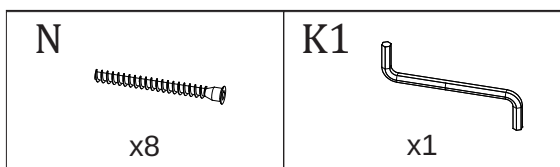
2




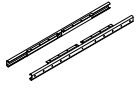
3

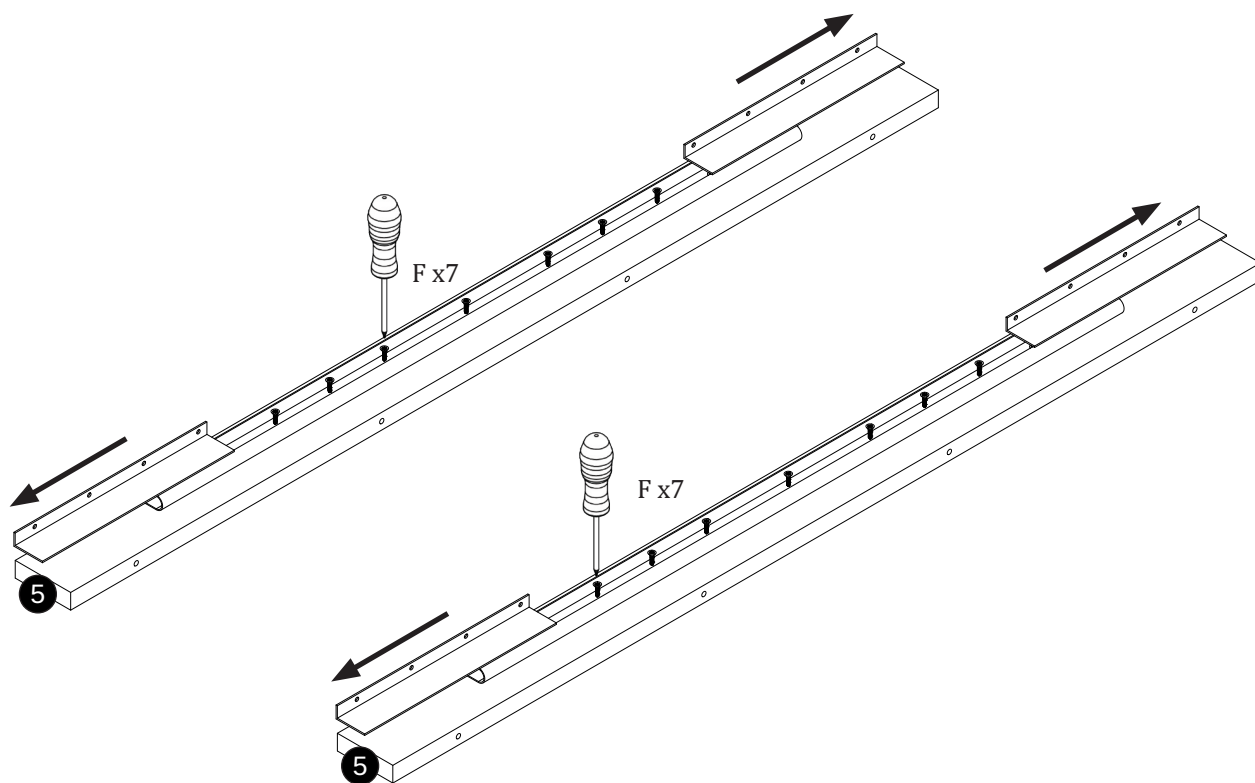
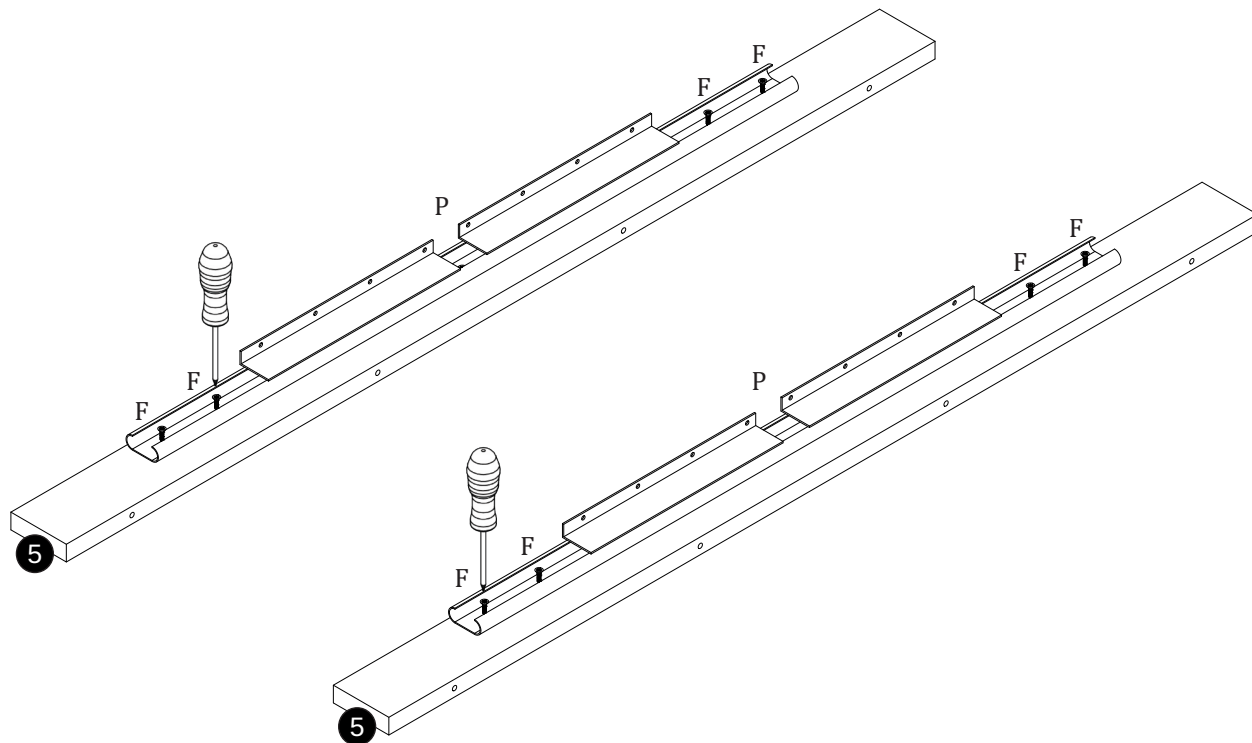
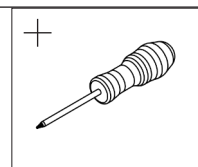


4

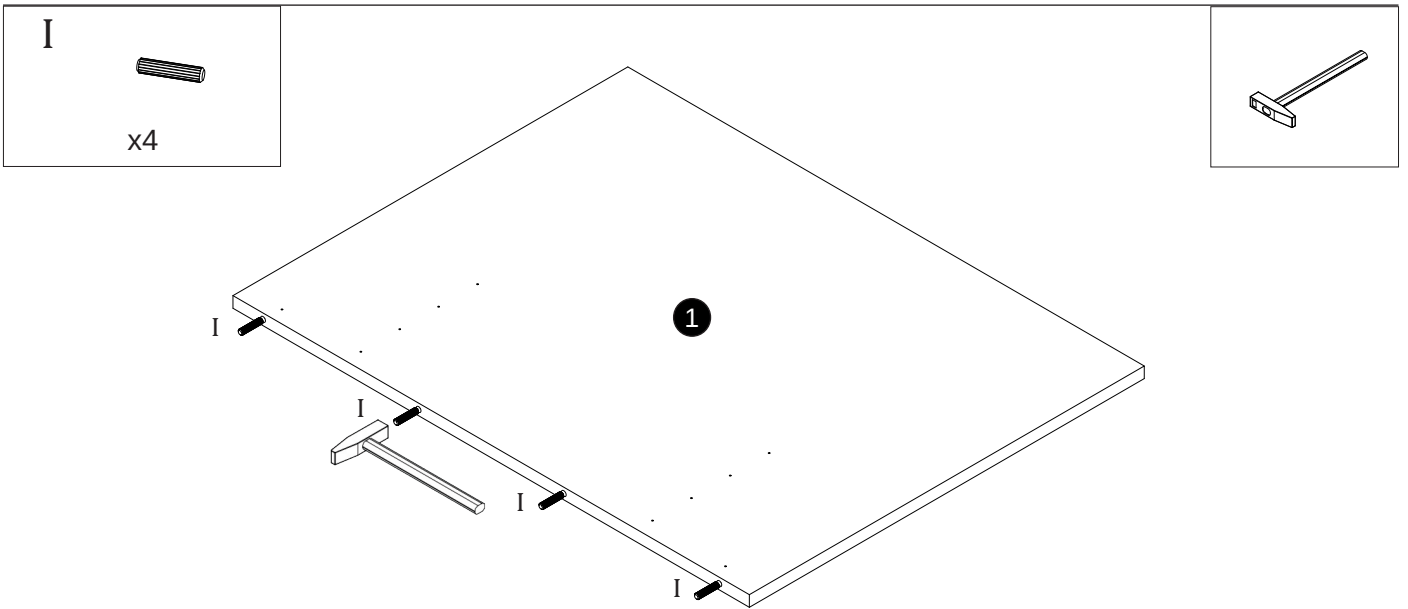


5

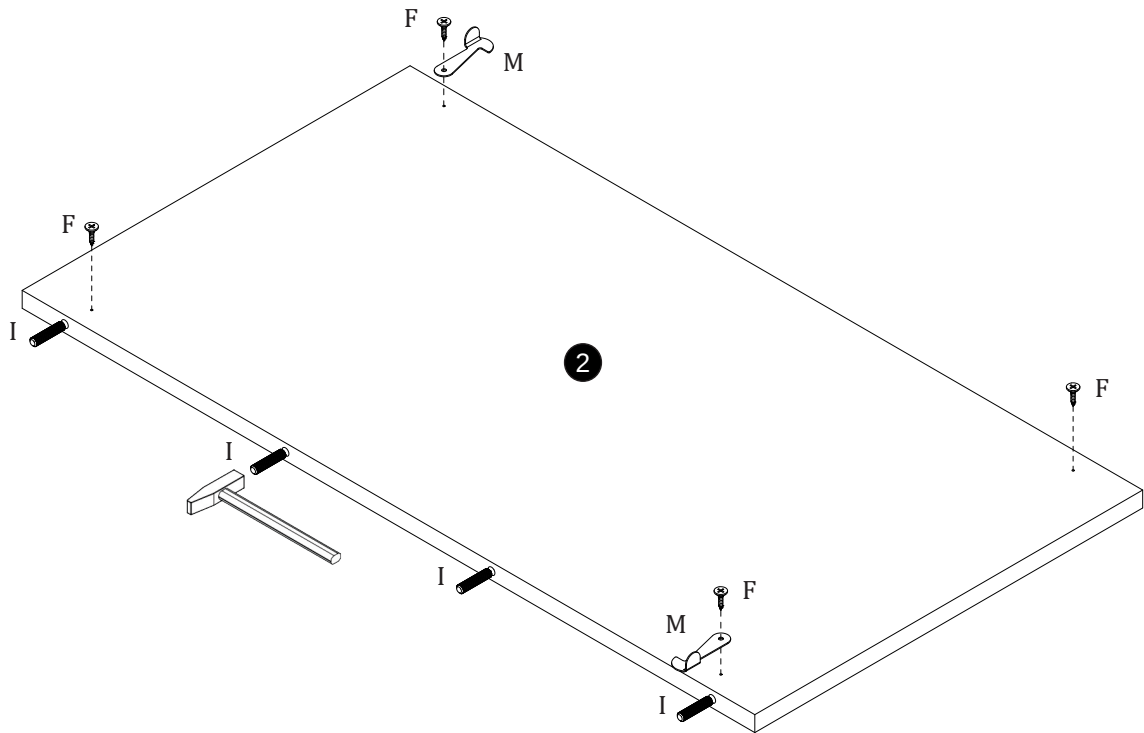
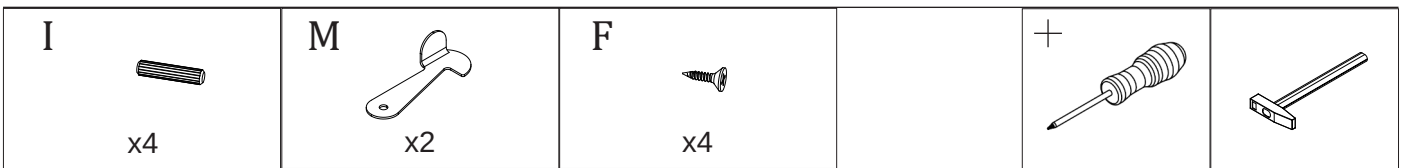
| | |
|------------------------------------------------------------------------------------------------------|-----------------------------------------------------------------------------------------------------|
| F  x22 | P  x1 |
|------------------------------------------------------------------------------------------------------|-----------------------------------------------------------------------------------------------------|



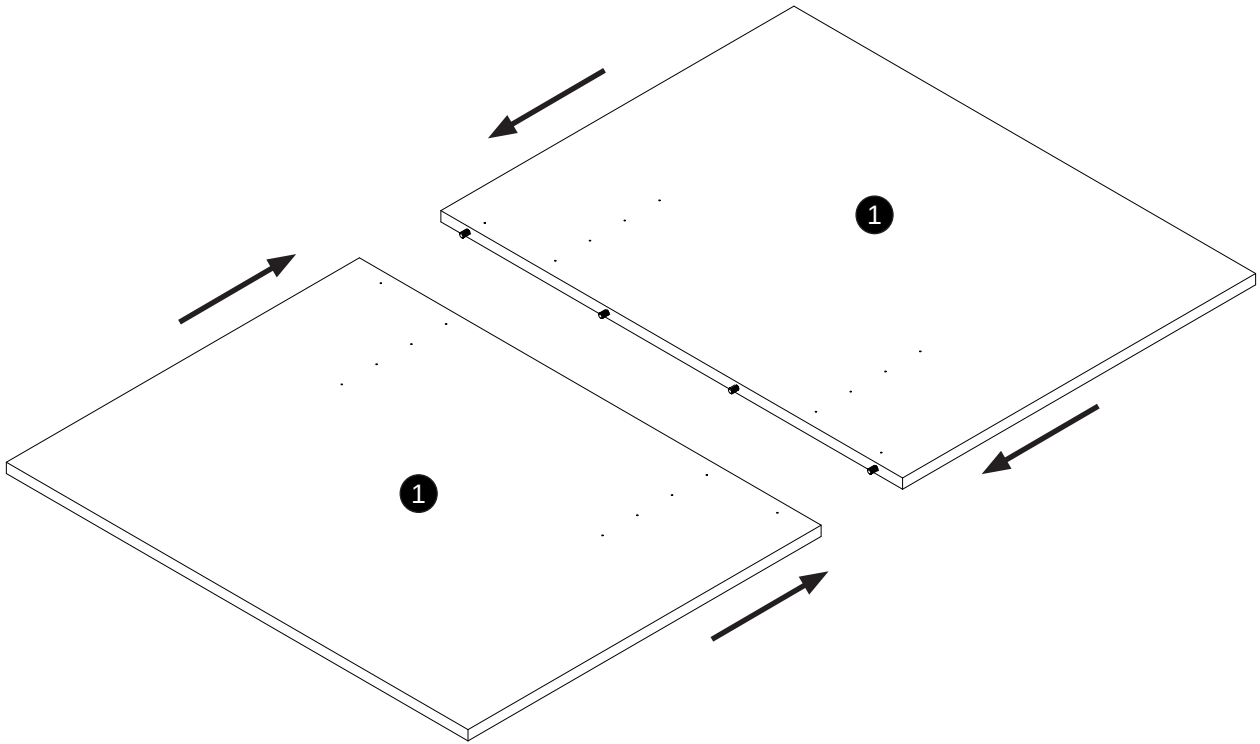
6



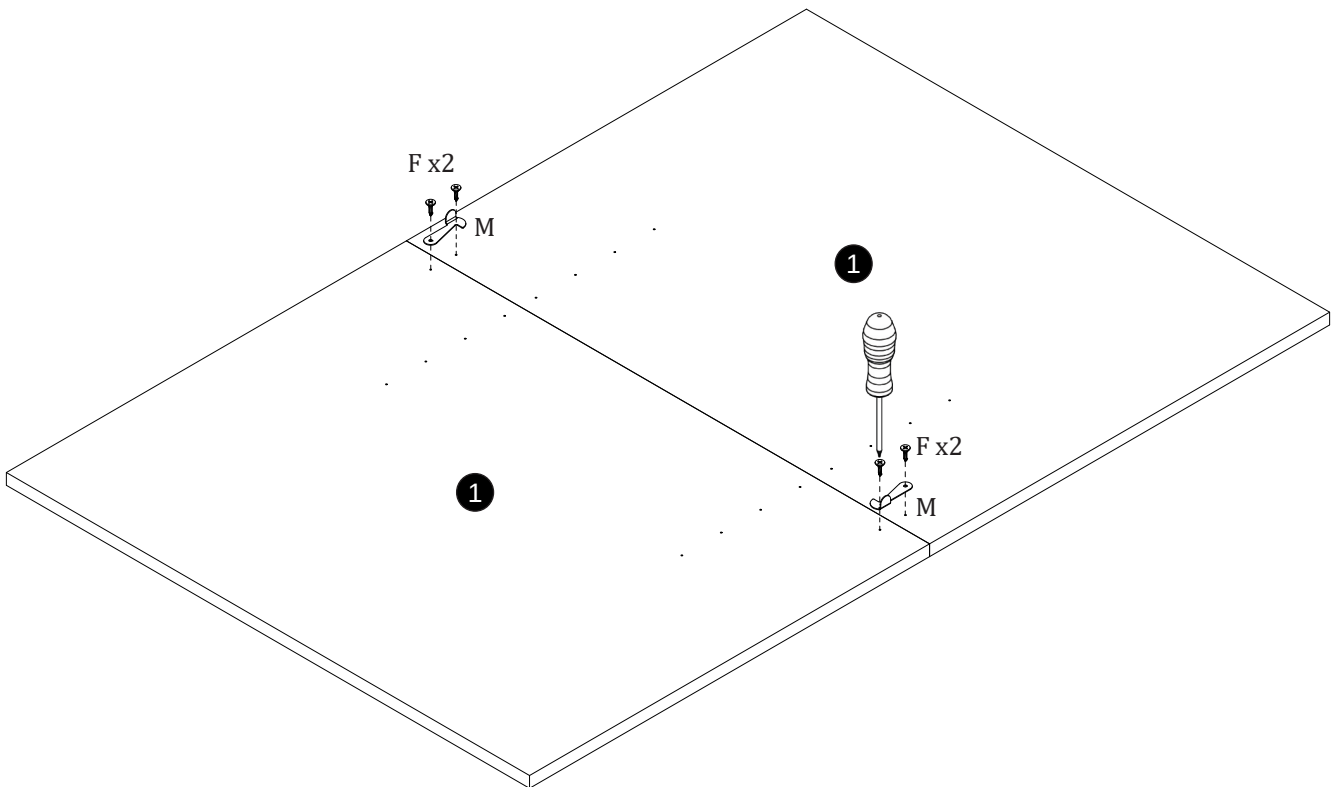
7



8



9



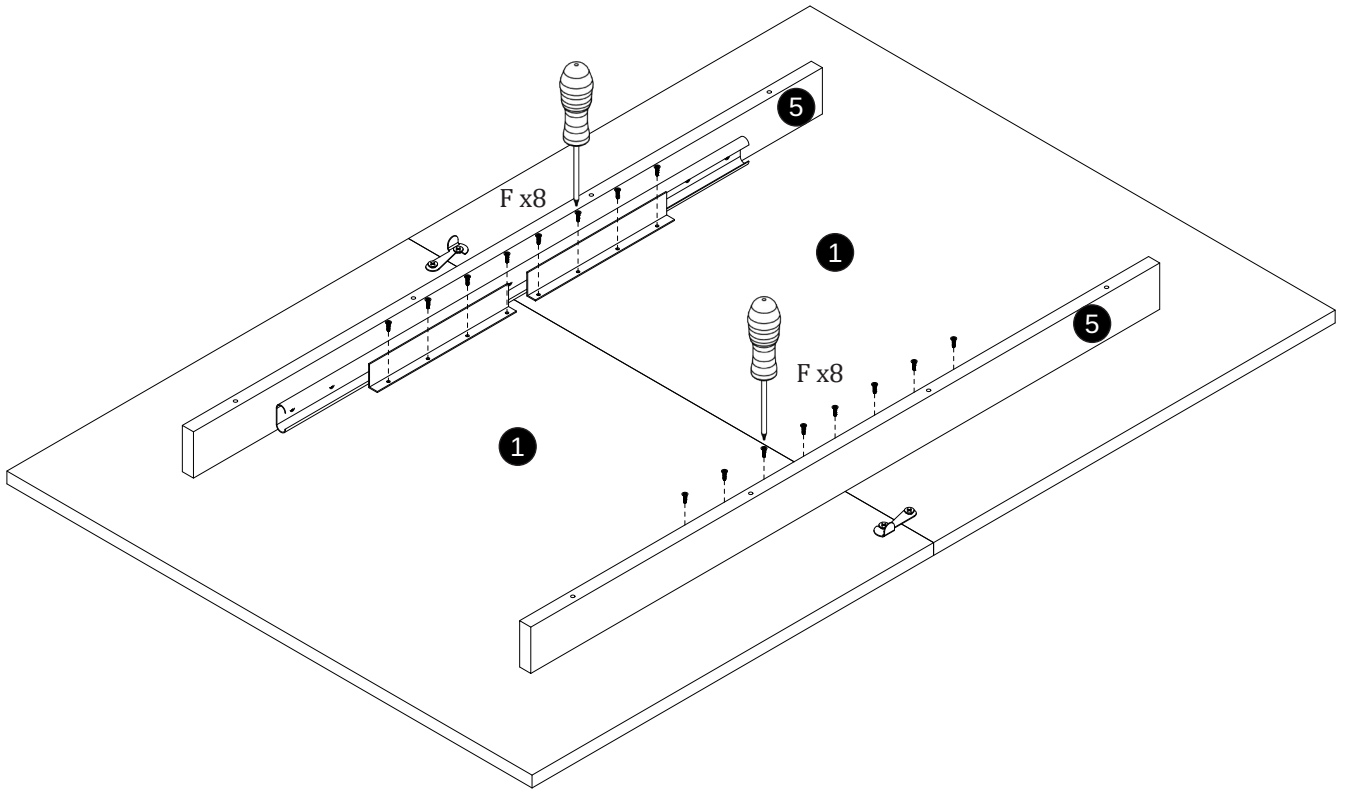
10

F






x16

+



11

| | | |
|----------------------------------------------------------------------------------------------|-----------------------------------------------------------------------------------------------|------------------------------------------------------------------------------------------------|
| 0  x8 | K1  x1 | K2  x16 |
|----------------------------------------------------------------------------------------------|-----------------------------------------------------------------------------------------------|------------------------------------------------------------------------------------------------|

