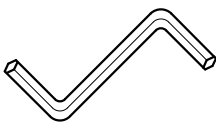



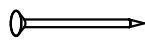
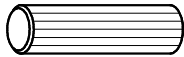

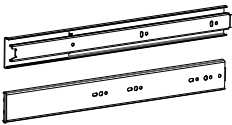
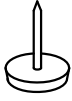

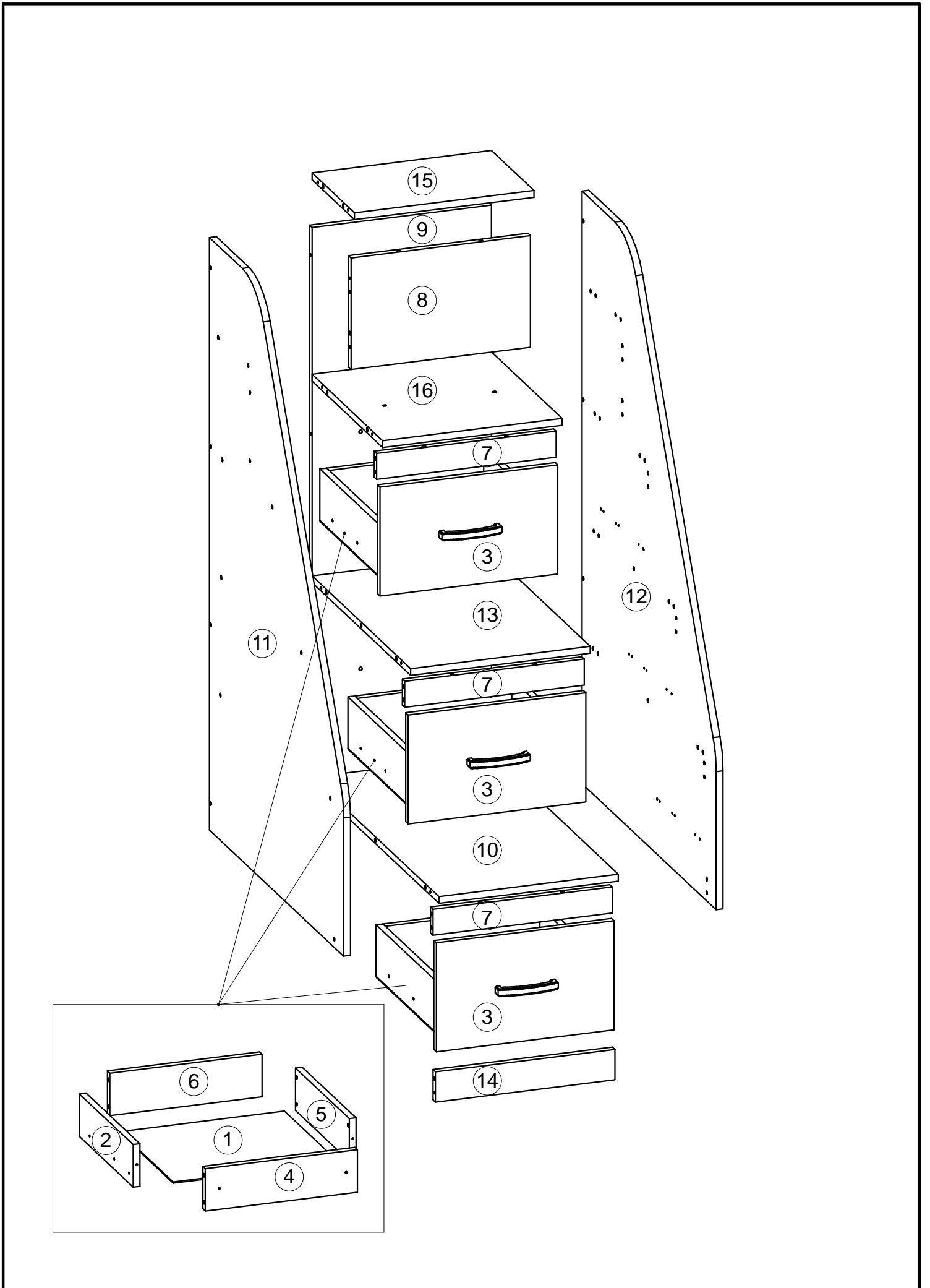
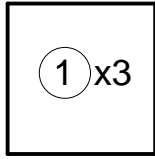
 Ø6,3x50 mm <b>A1 x 32</b>	 4 mm <b>A3 x 1</b>	 Ø4x16 mm <b>D1 x 36</b>	 Ø4,2x25 mm <b>D2 x 6</b>	 Ø4x30 mm <b>D3 x 6</b>
 Ø1,6x20 mm <b>F x 54</b>	 Ø8x36 mm <b>G x 84</b>	 <b>H x 3</b>	 <b>K x 3</b>	 Ø15 mm <b>N x 6</b>
 50g <b>R x 1</b>				

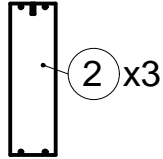


### Box 1

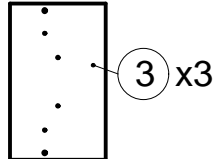
390x398x3 mm



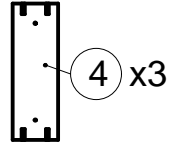
120x400x16 mm



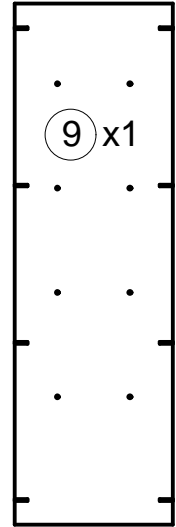
253x413x16 mm



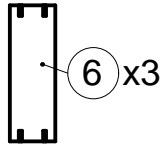
120x360x16 mm



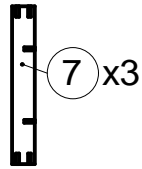
418x1378x16 mm



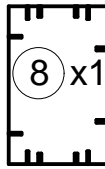
120x360x16 mm



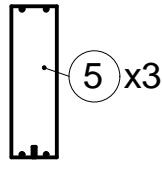
60x418x16 mm



260x418x16 mm



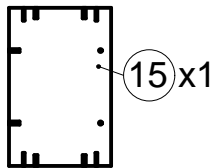
120x400x16 mm



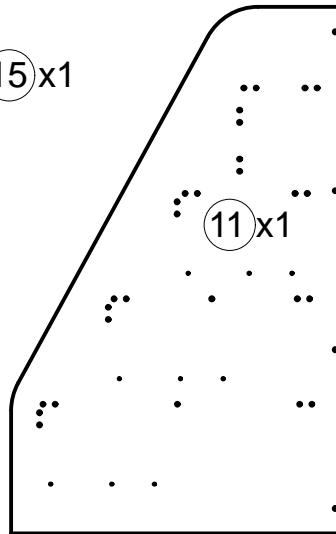
Fittings & Tools

### Box

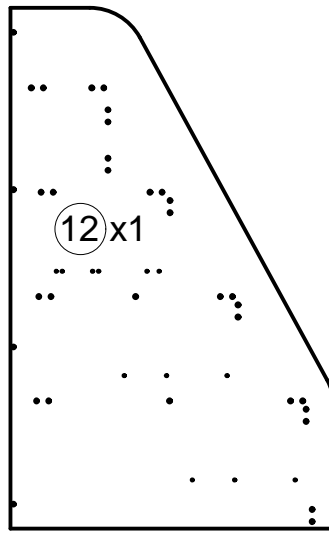
270x418x16 mm



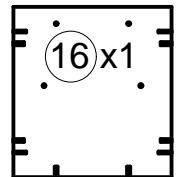
856x1378x16 mm



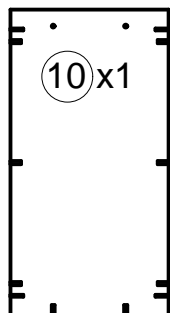
856x1378x16 mm



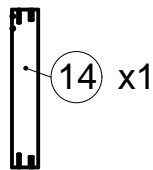
418x450x16 mm



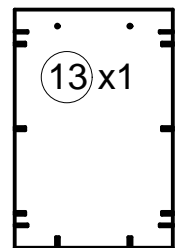
418x810x16 mm



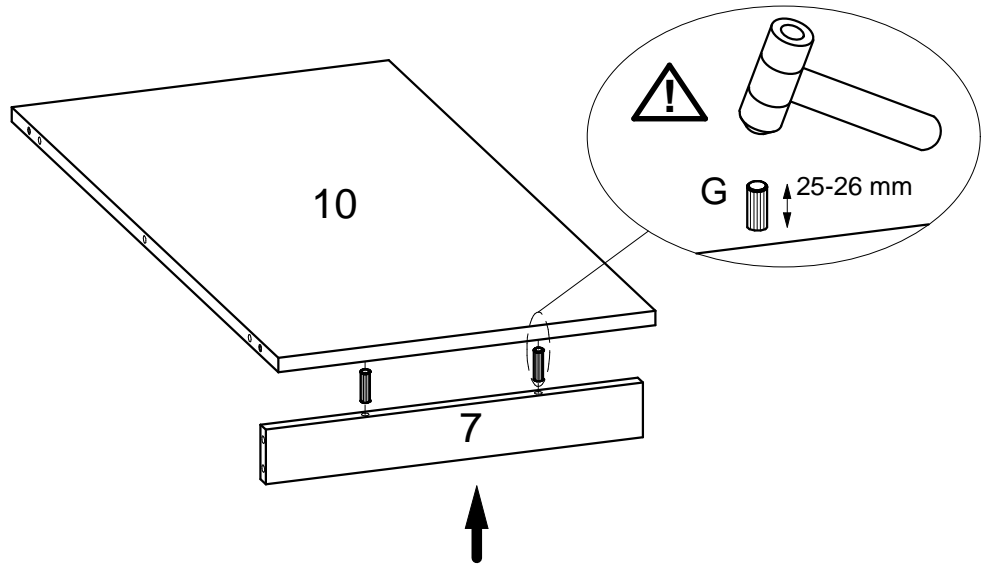
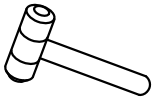
70x418x16 mm



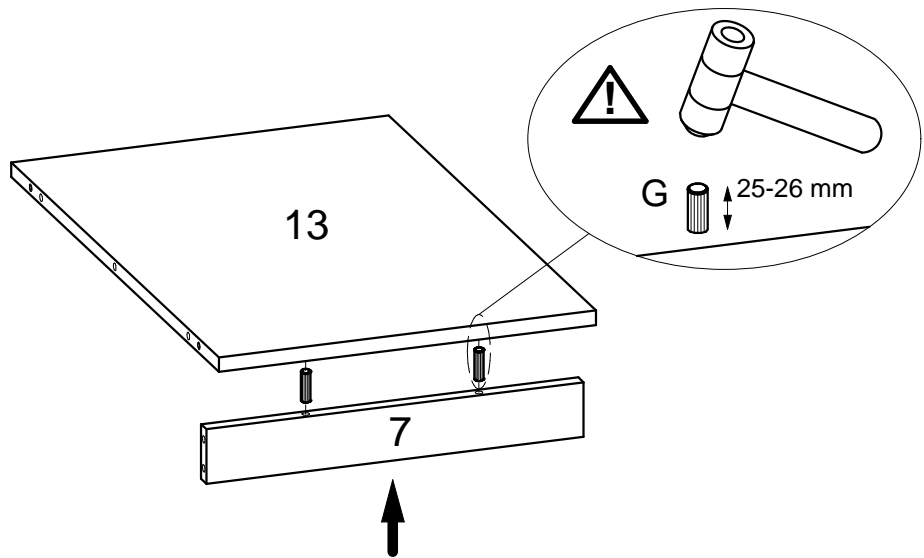
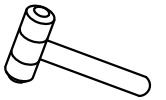
418x630x16 mm



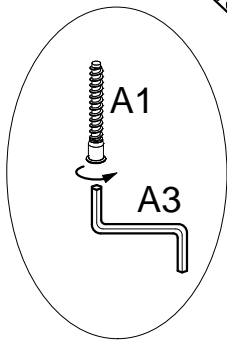
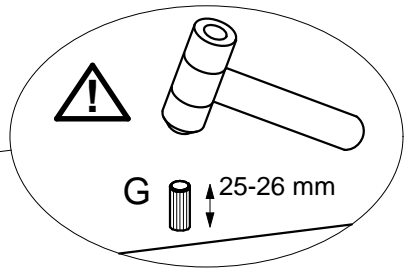
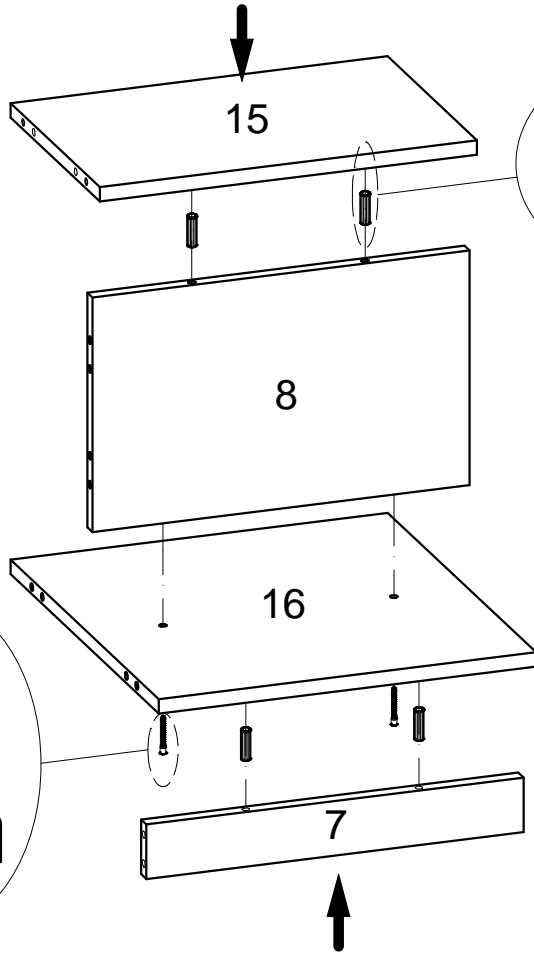
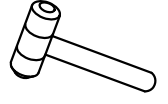
1



2

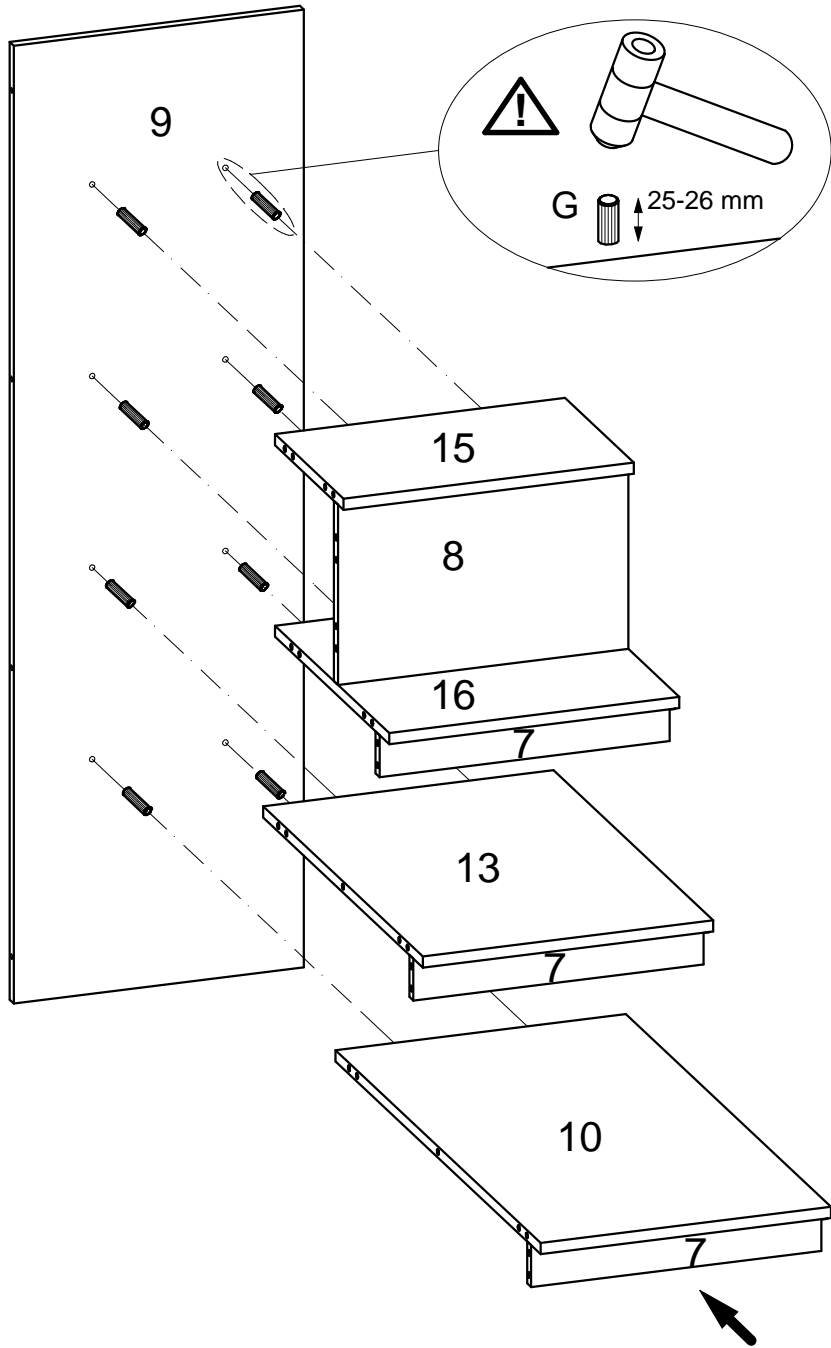
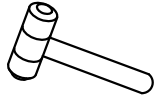


3



4

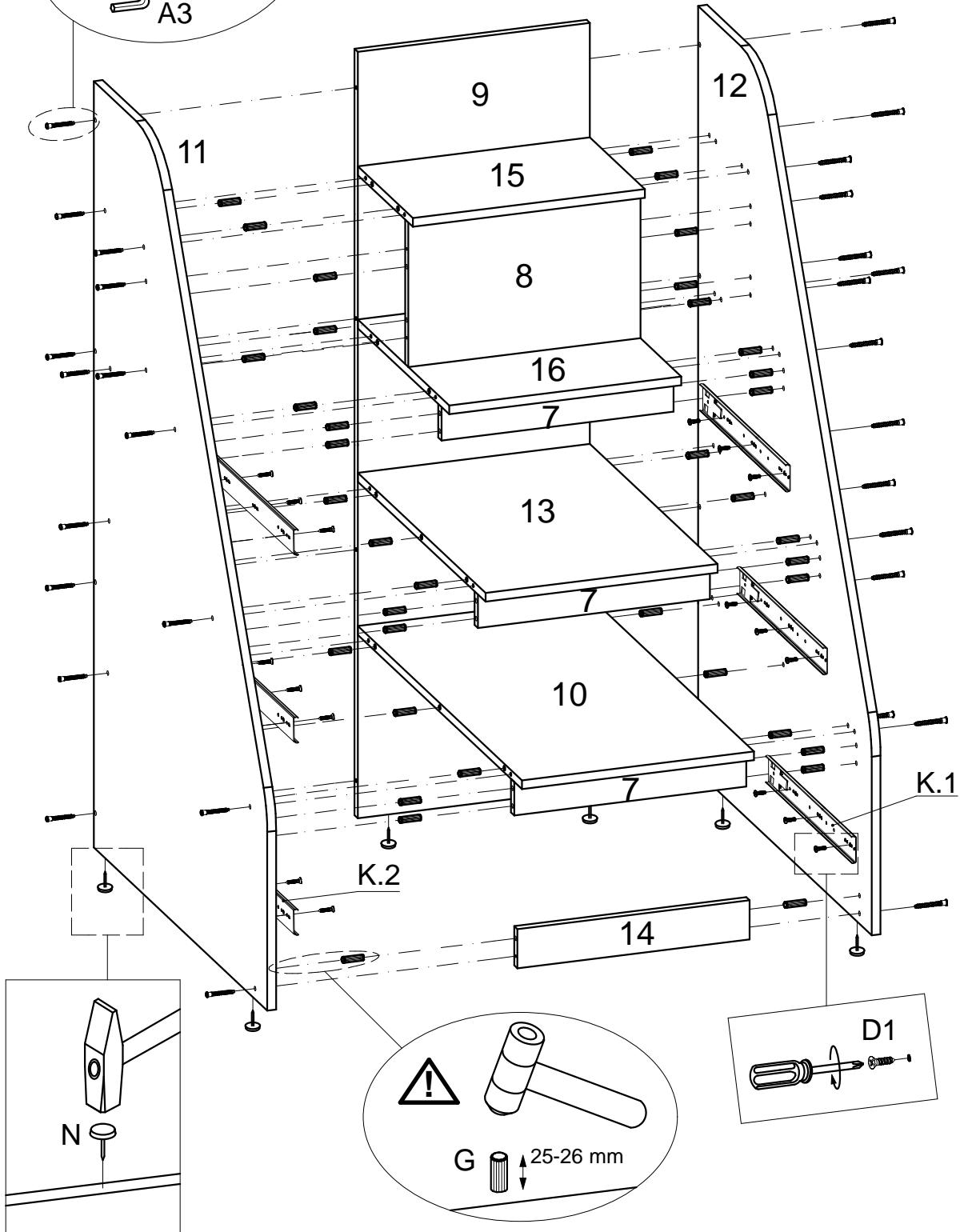
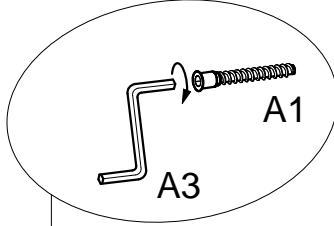
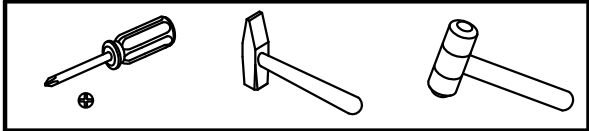
G x 8



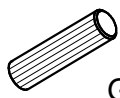


5

- A1 x 30
- A3 x 1
- D1 x 18
- G x 38
- K.1 x 3
- K.2 x 3
- N x 6



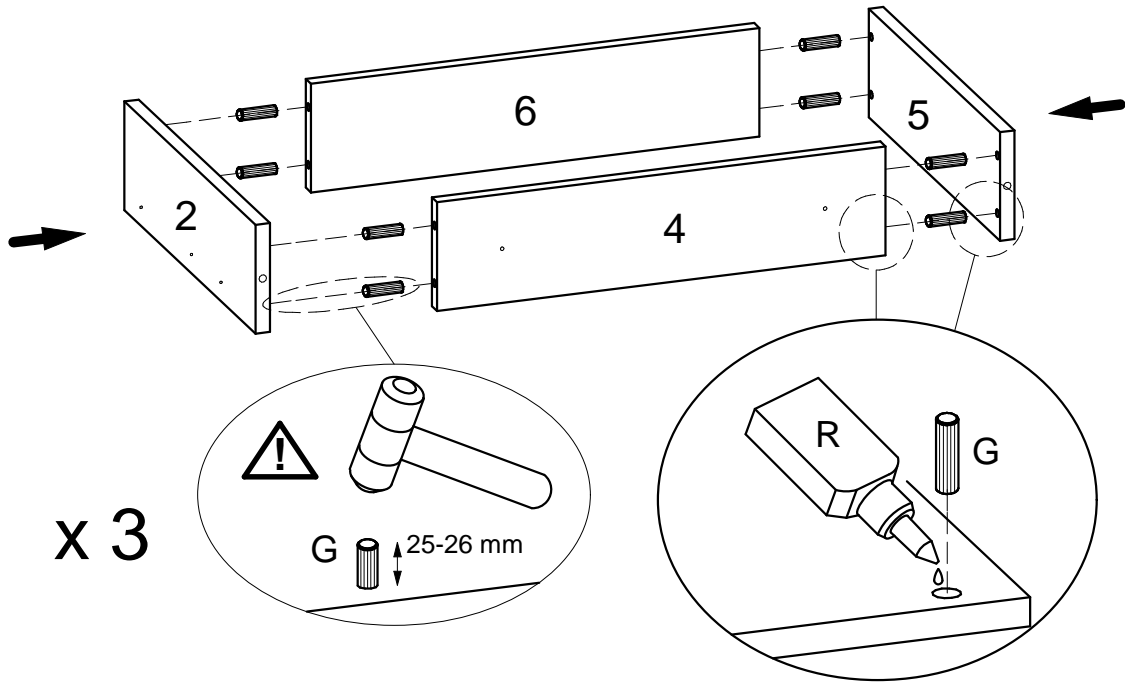
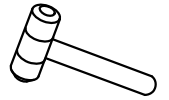
6



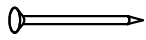
G x 24



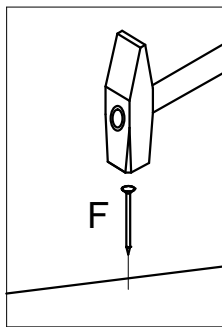
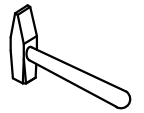
R x 1



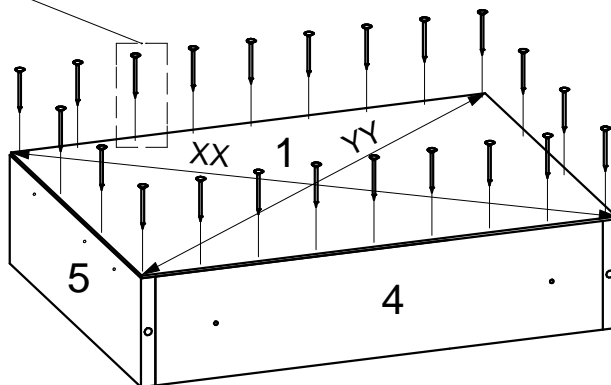
7



F x 54



!  $XX=YY \cong 90^\circ$



x 3

8



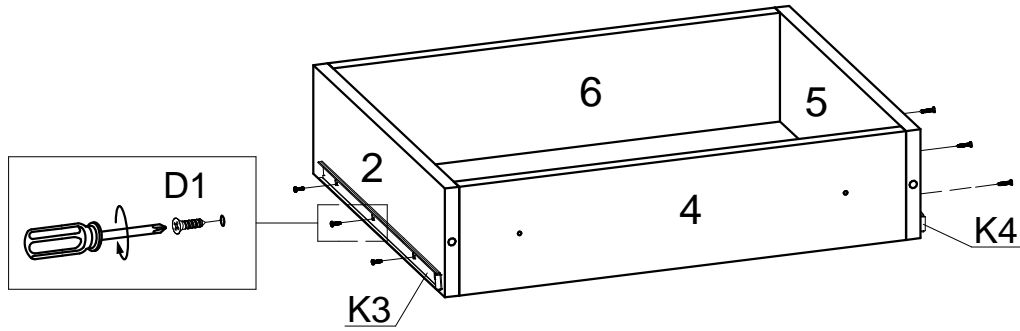
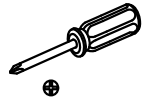
D1 x 18



K.3 x 3

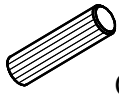


K.4 x 3

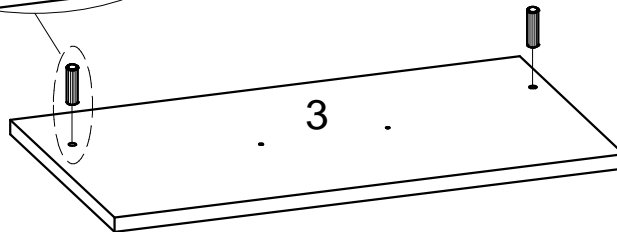
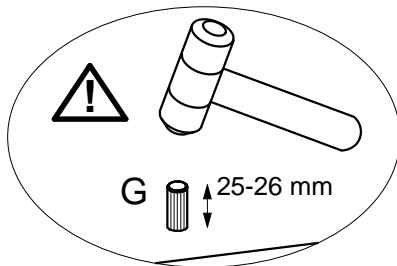
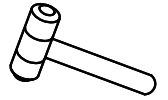


x 3

9



G x 6

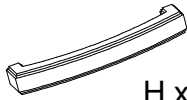


x 3

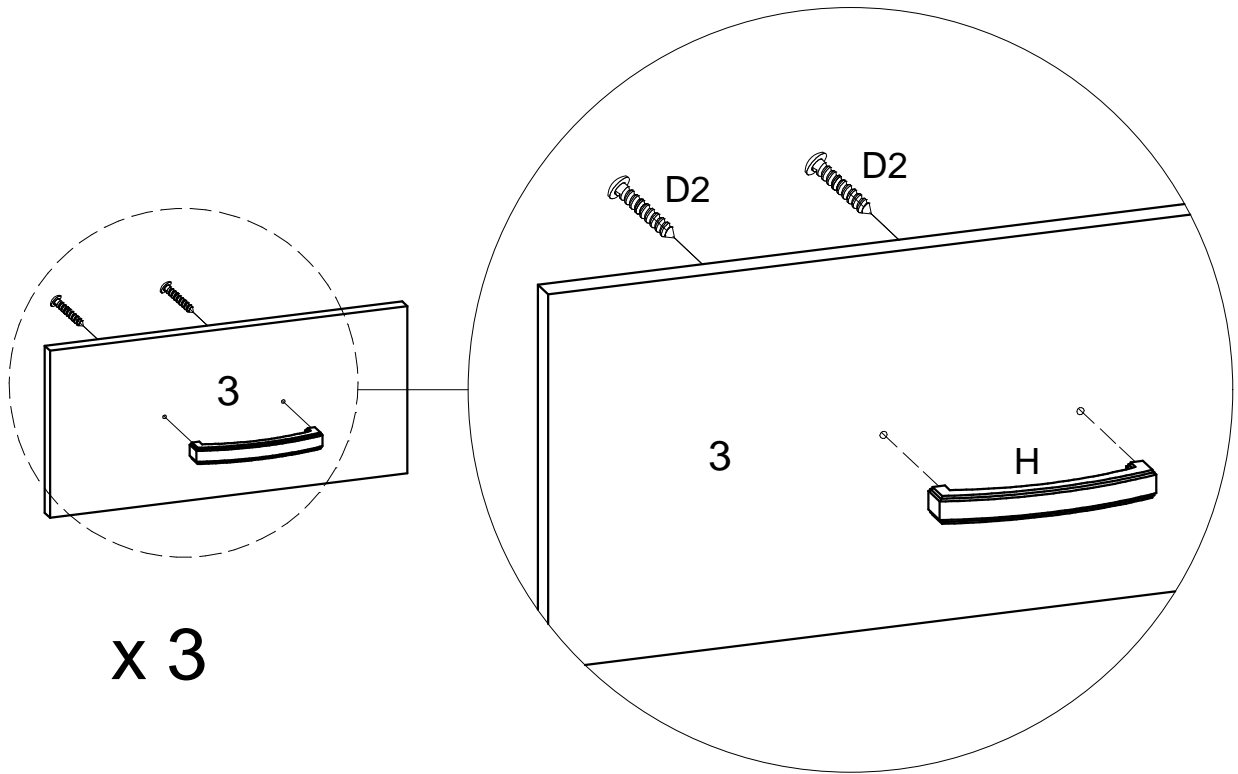
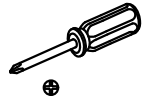
10



D2 x 6



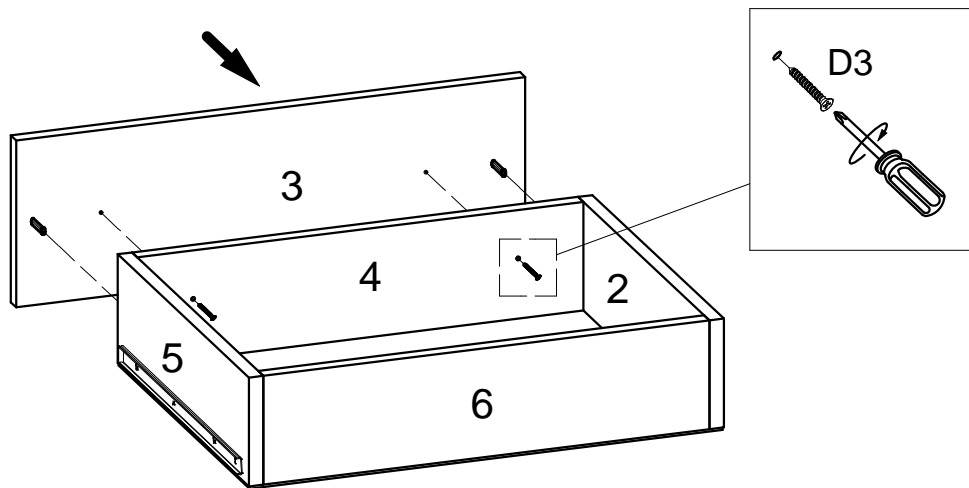
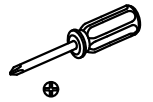
H x 3



11



D3 x 6



12

