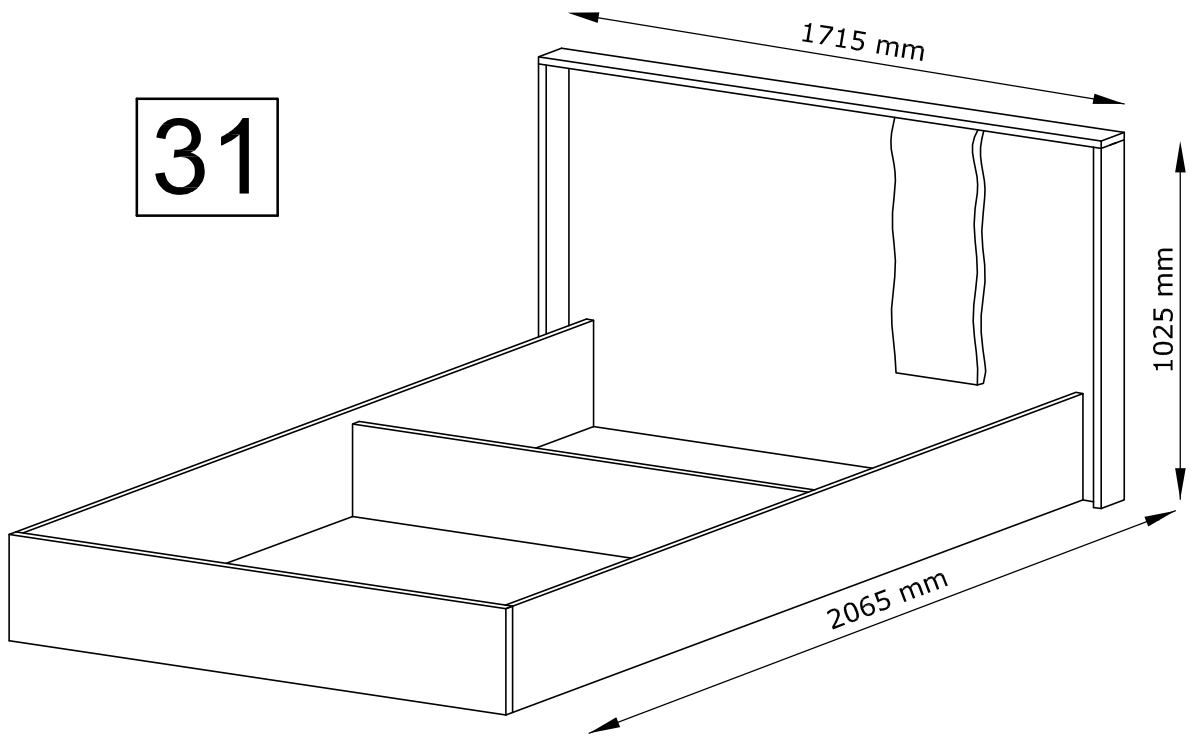
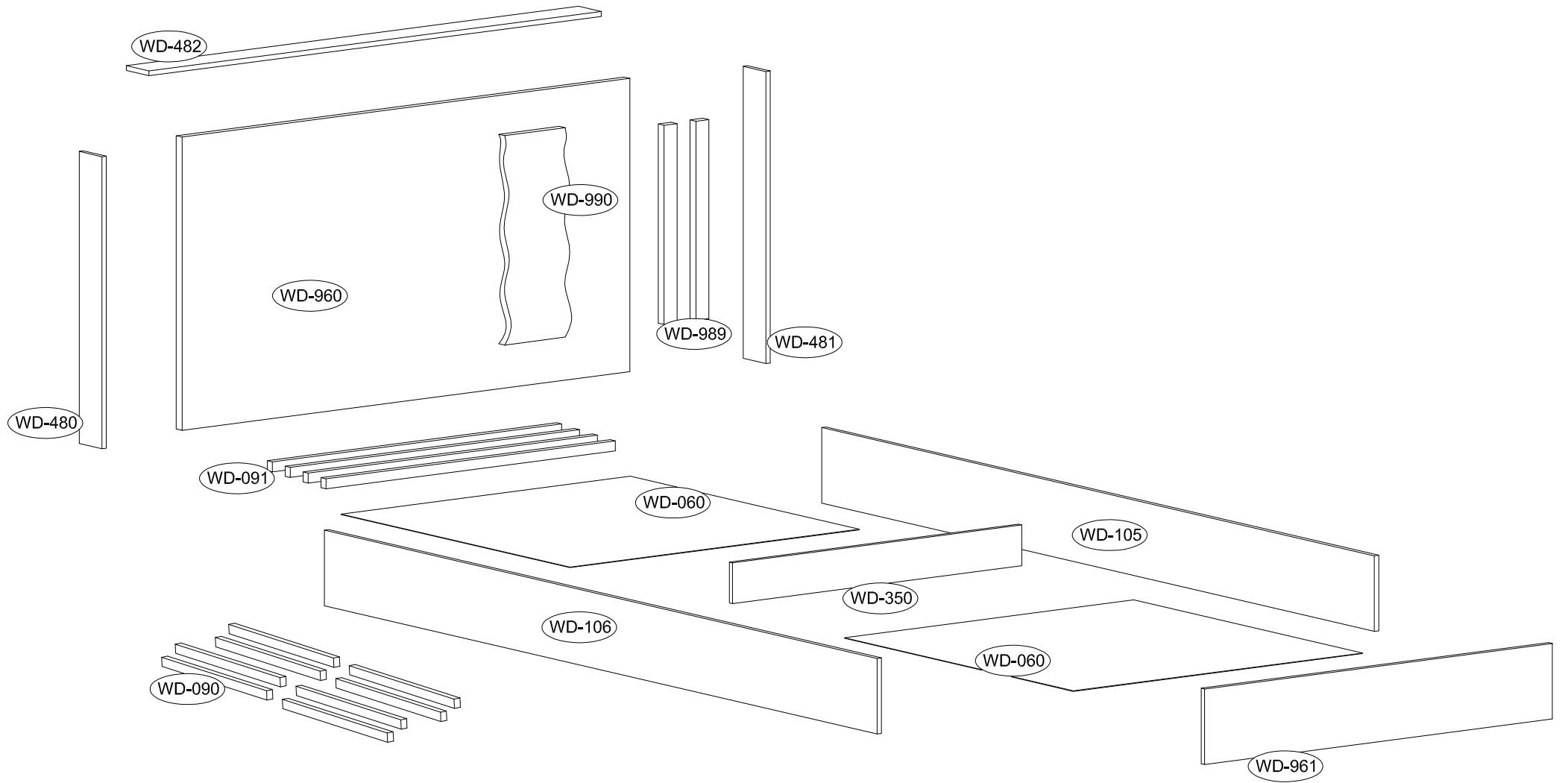
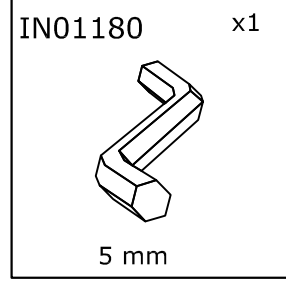
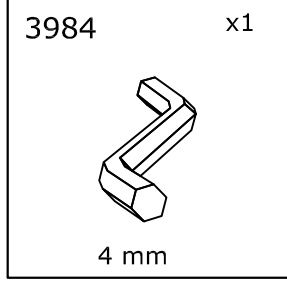
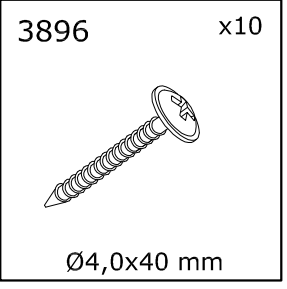
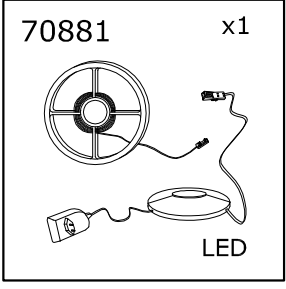
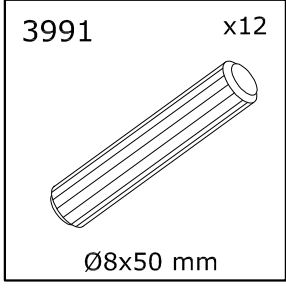
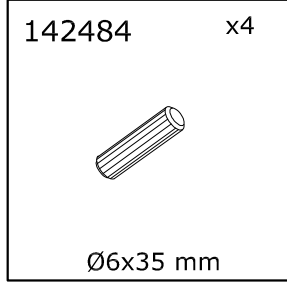
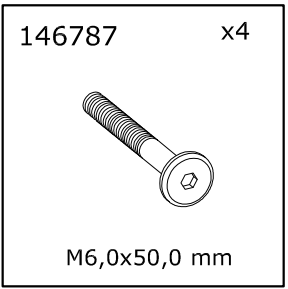
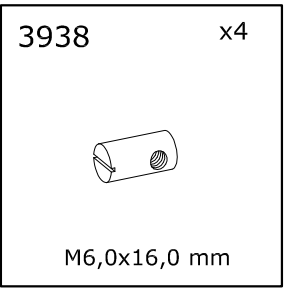
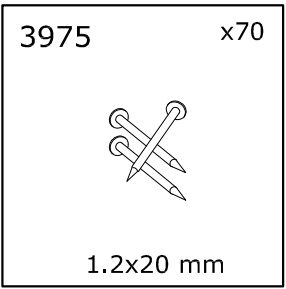
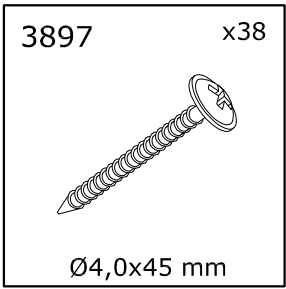
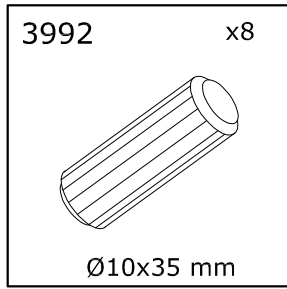
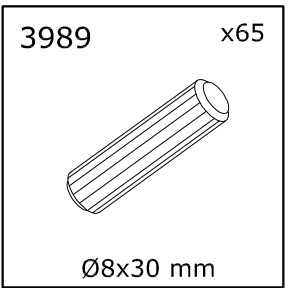
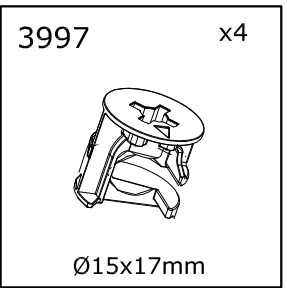
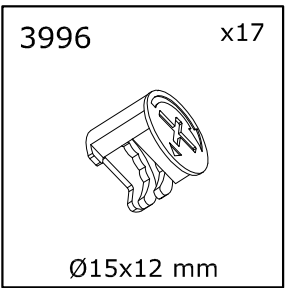
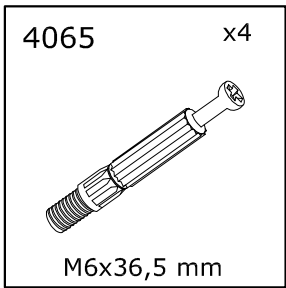
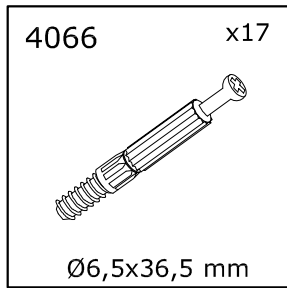


31





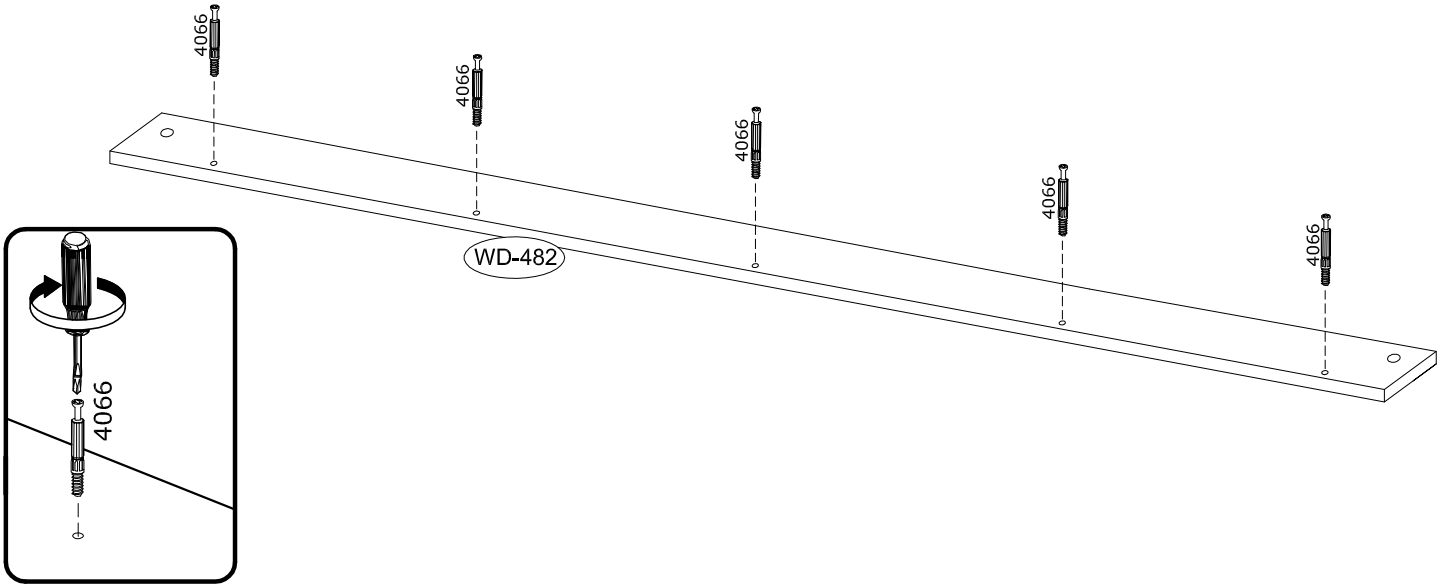


# 1.

4066



x5



# 2.

4066

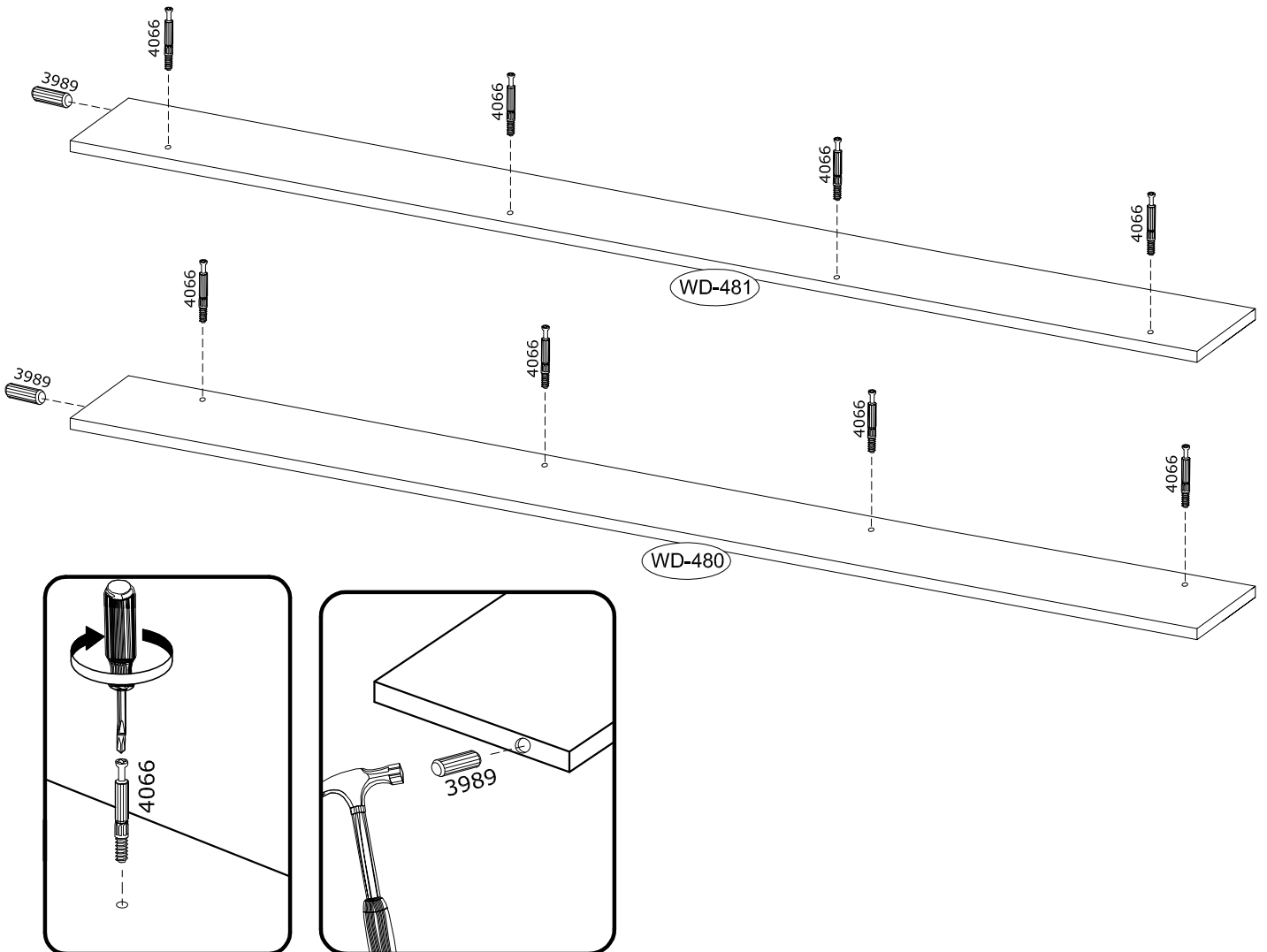


x8

3989

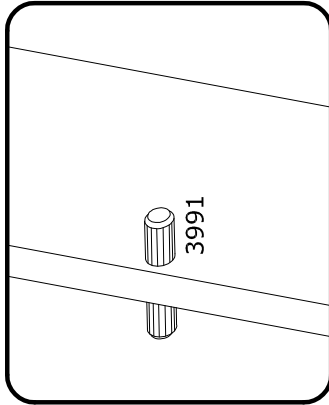
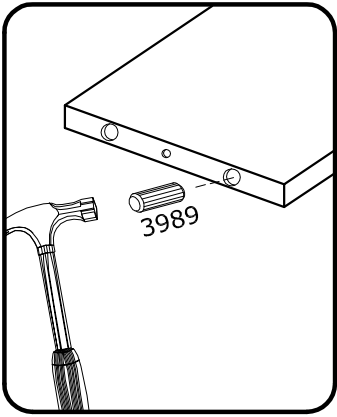
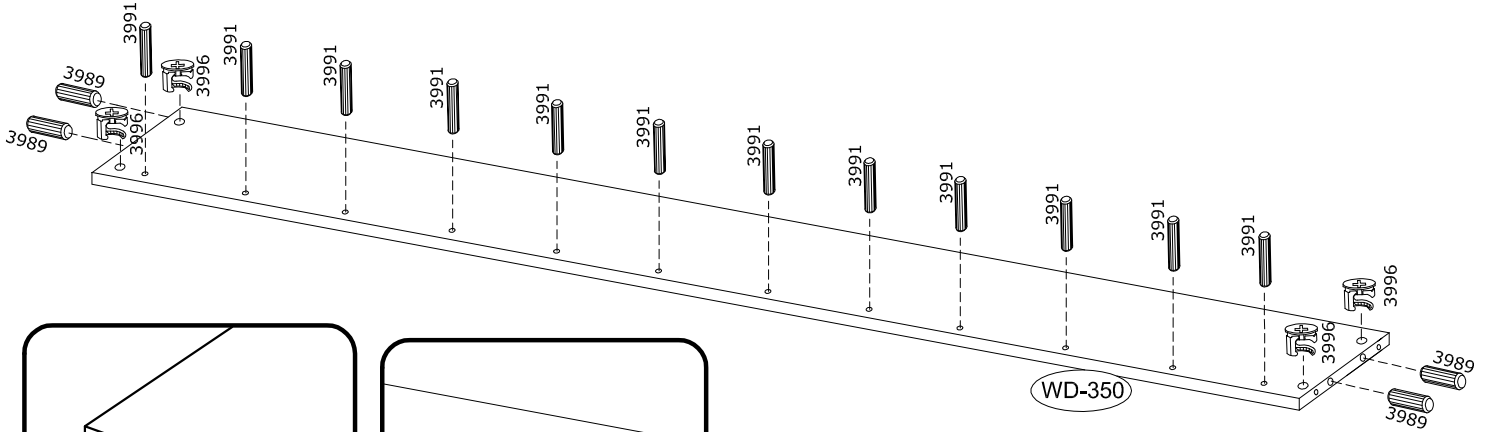


x2



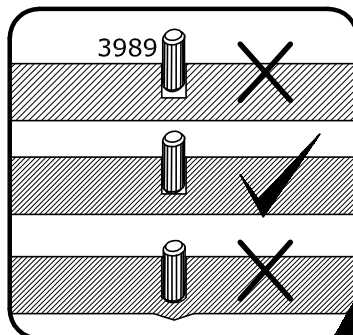
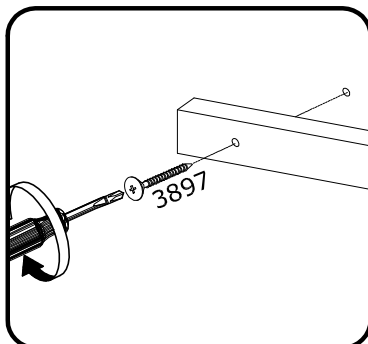
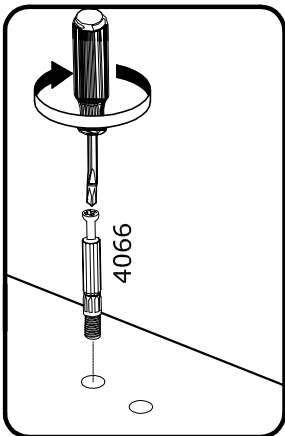
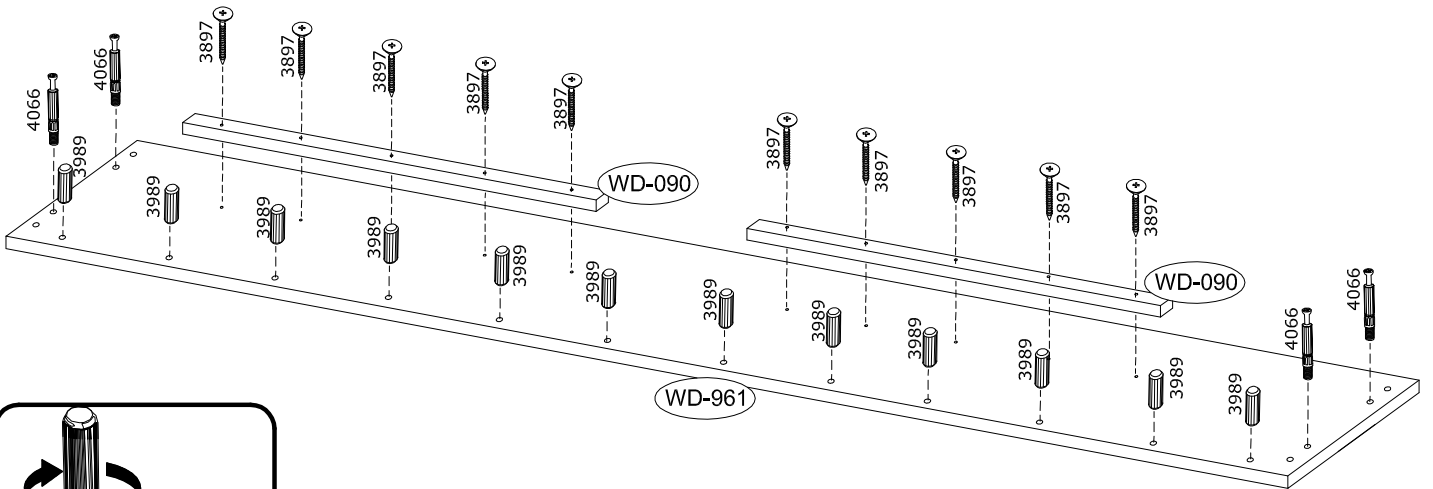
# 3.

3989  x4	3991  x12	3996  x4	
--	---	--	--

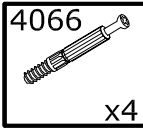
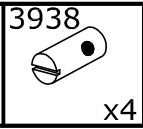
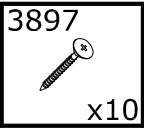
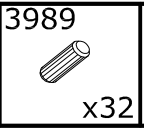
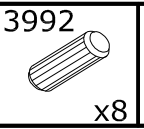
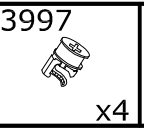



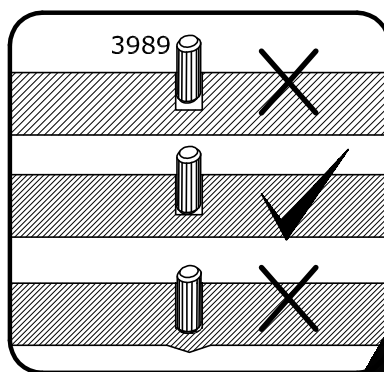
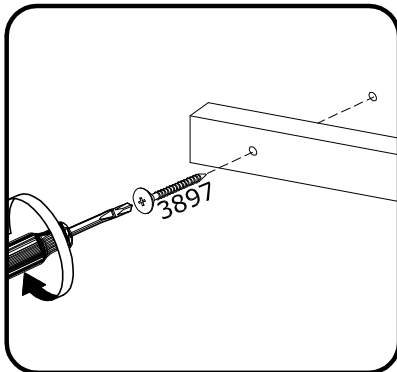
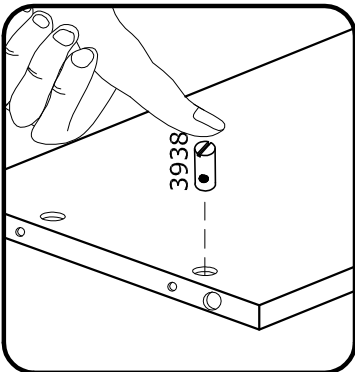
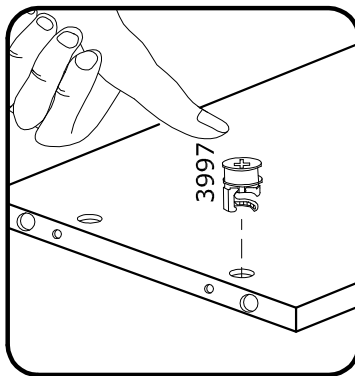
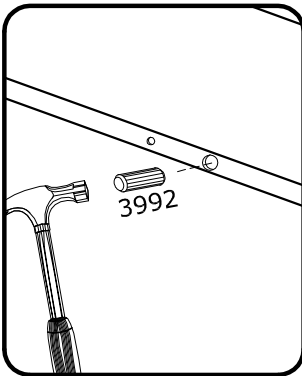
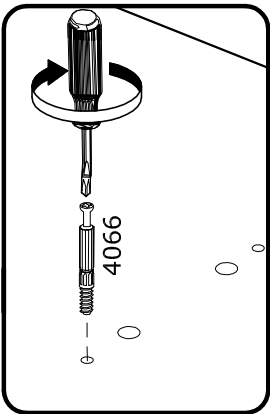
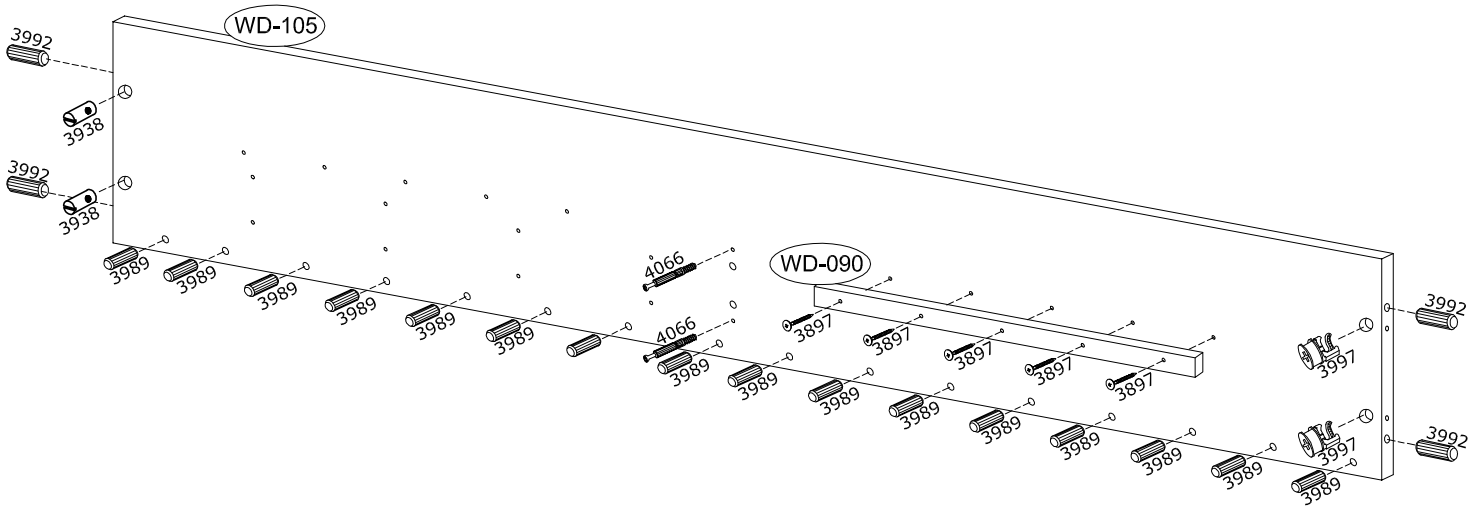
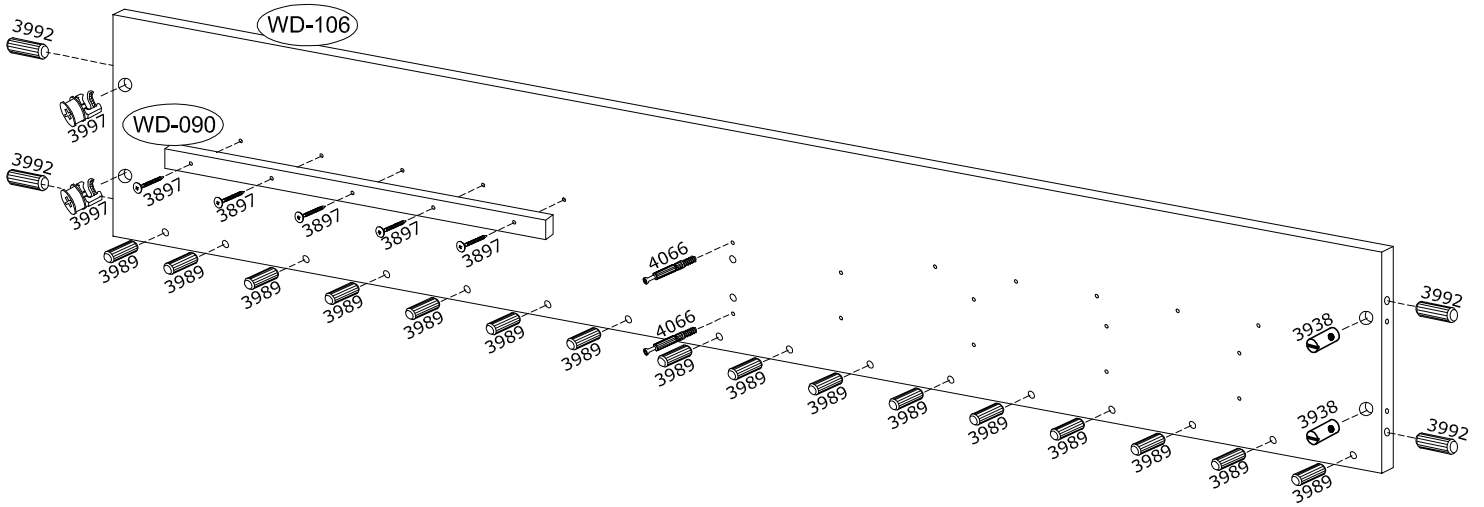
# 4.

4066  x4	3989  x12	3897  x10	
---	--	--	---



# 5.

 4066 x4	 3938 x4	 3897 x10	 3989 x32	 3992 x8	 3997 x4	
--	--	---	---	--	---	--



6.

142484



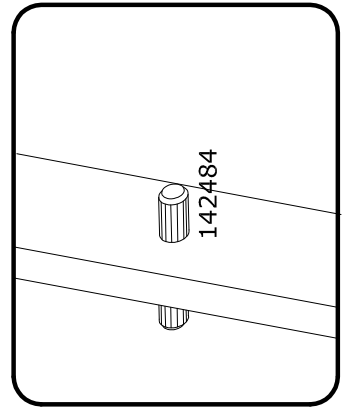
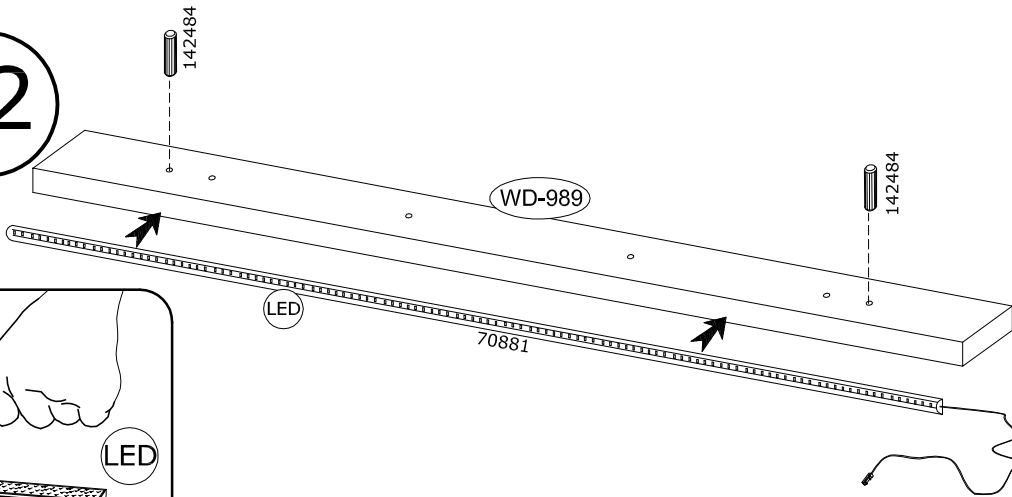
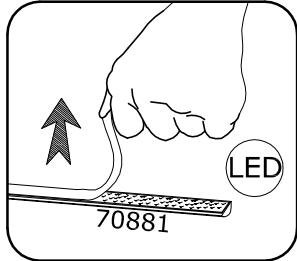
x4

70881



x1

x2



7.

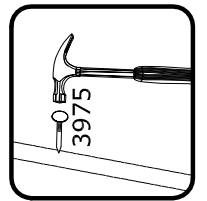
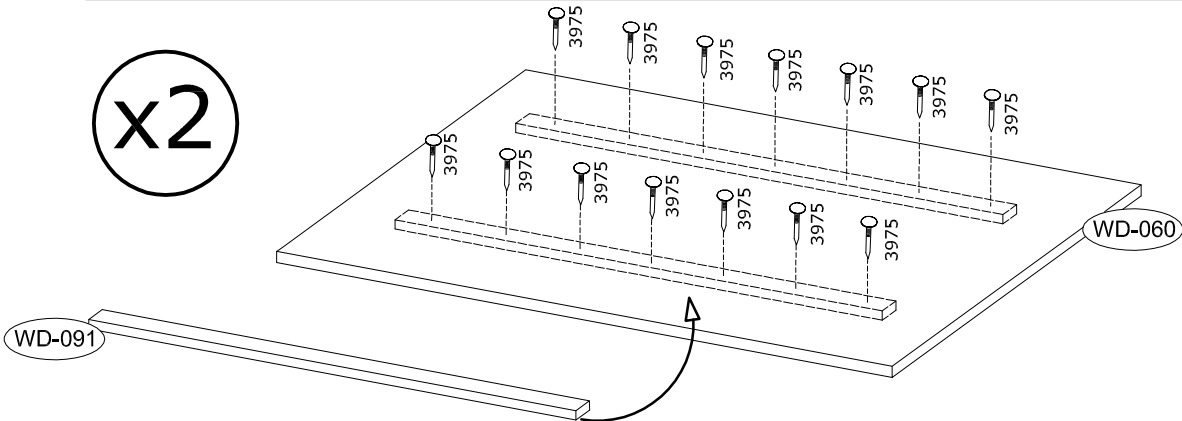
3975



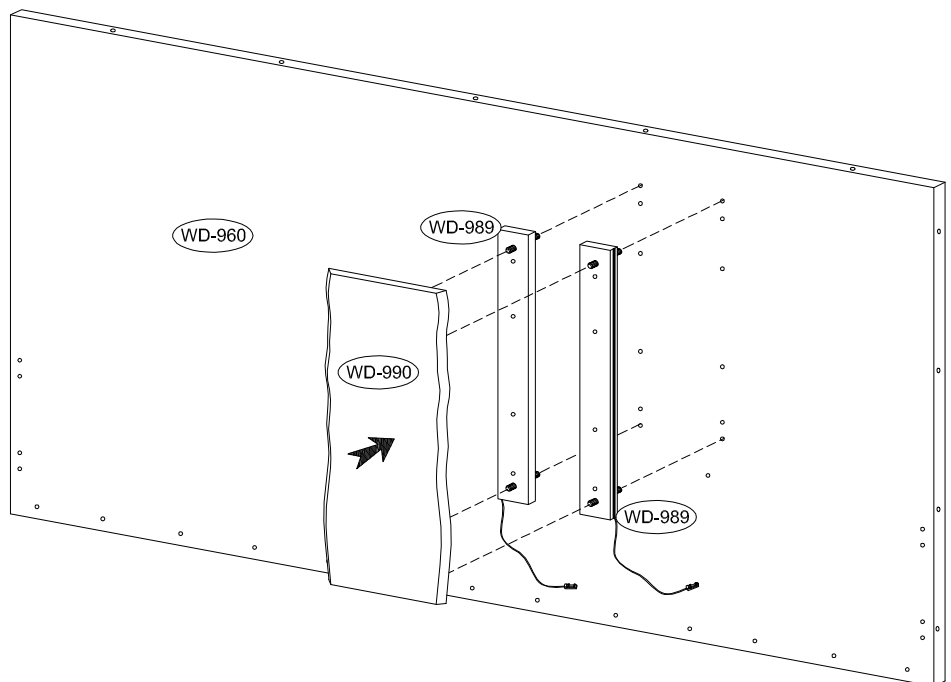
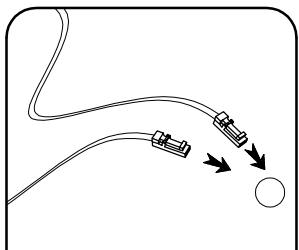
GWx70



x2

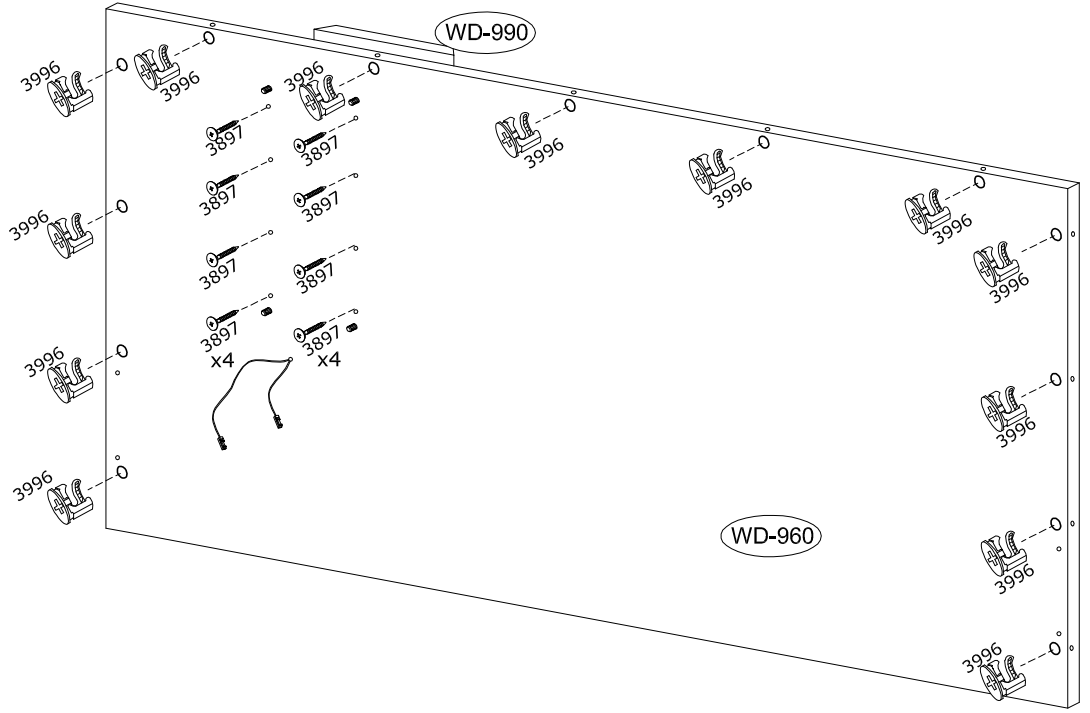
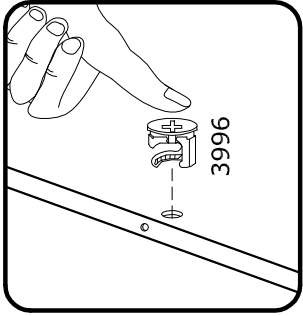


8.



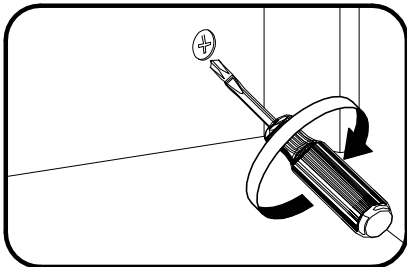
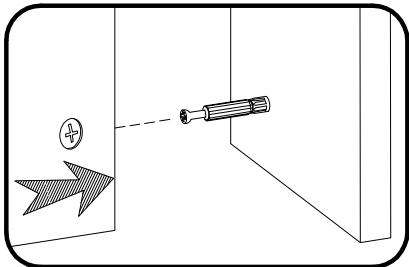
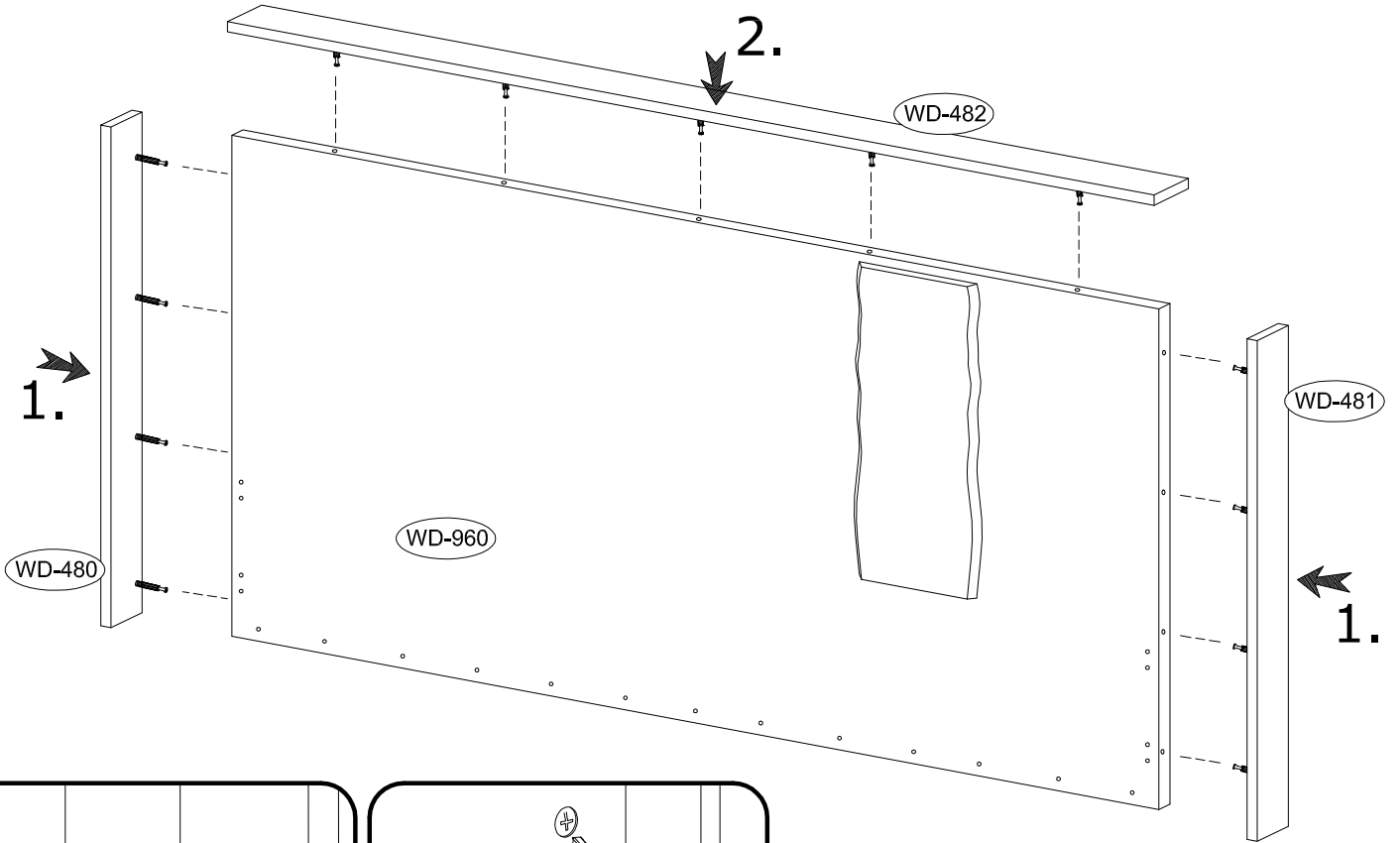
# 9.

3996  x13	3897  x8		
---	--	--	--



# 10.

	
--	--





# 11.

31

3897



x10

81



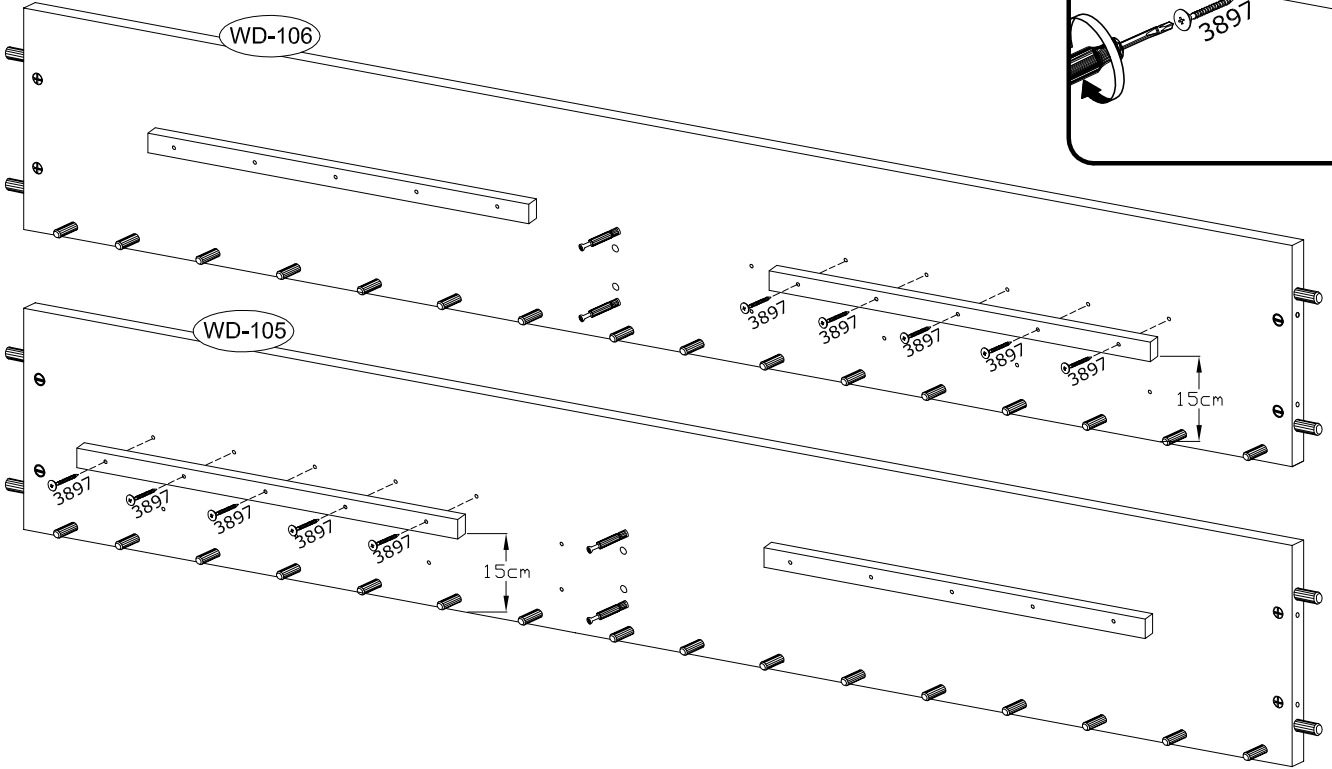
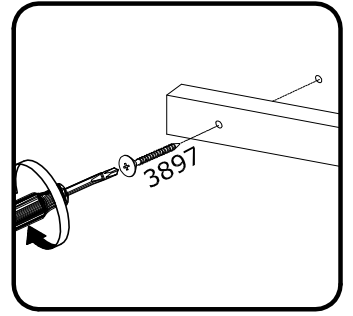
⑧x16



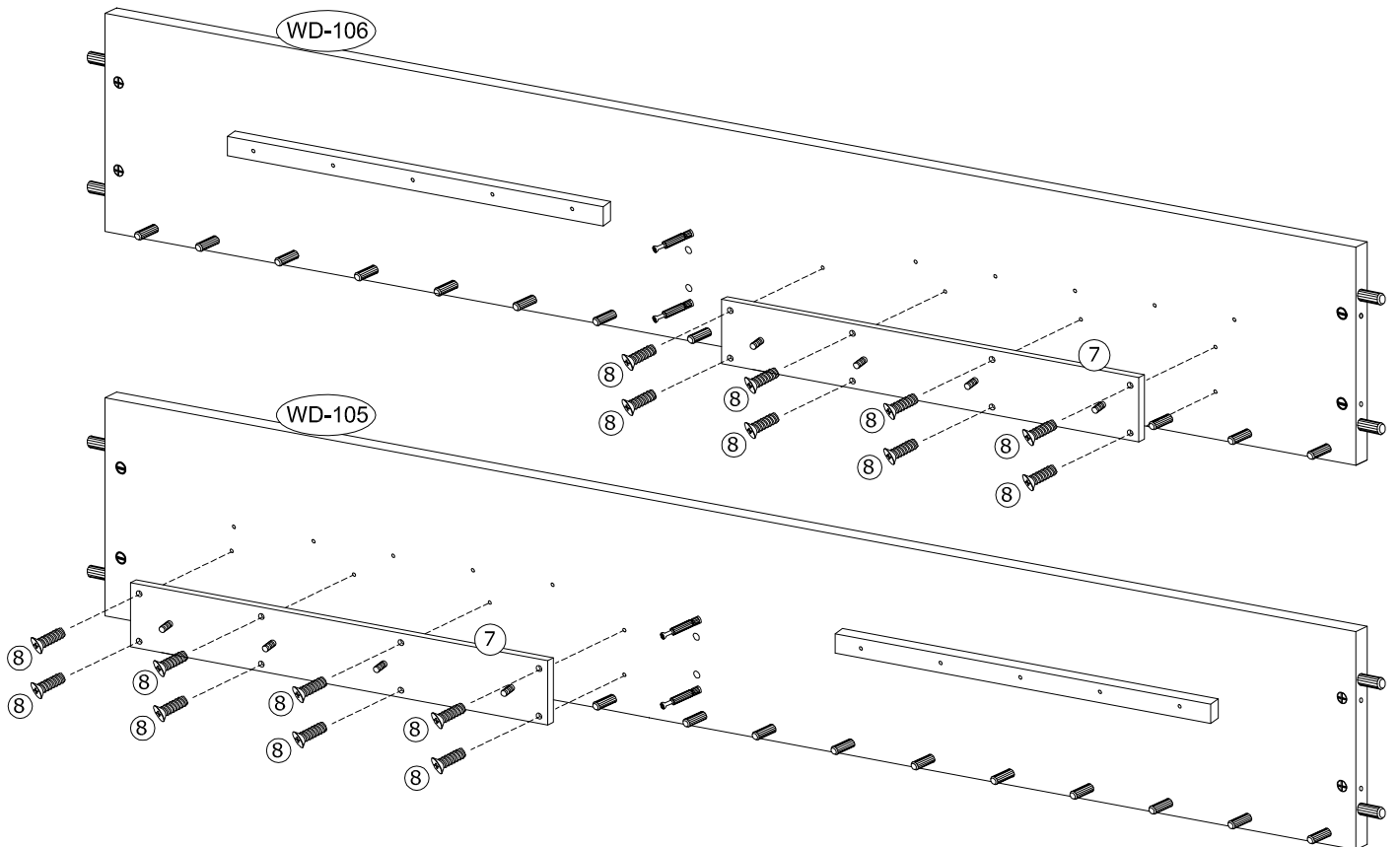
⑦x1kpl



## 31



## 81



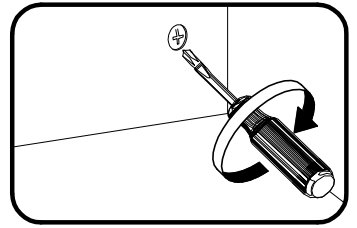
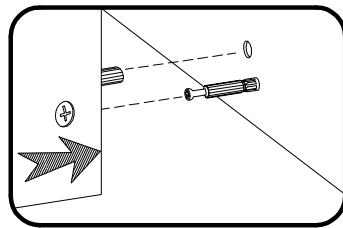
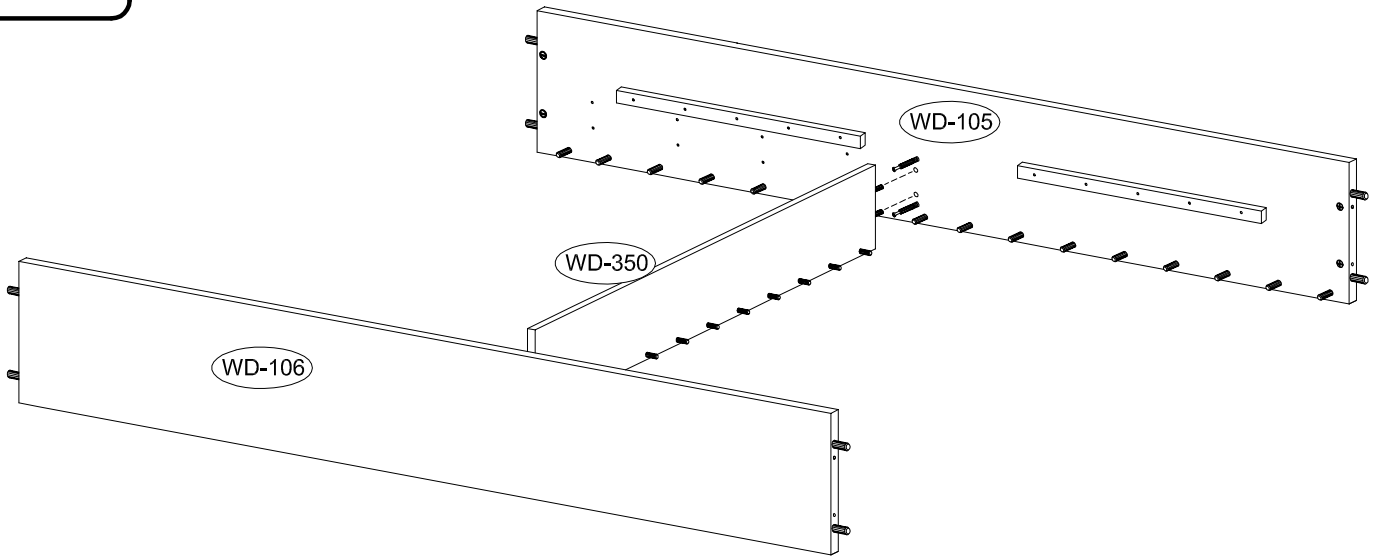
# 12.

31

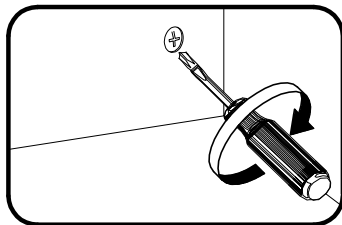
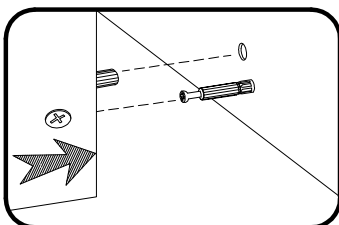
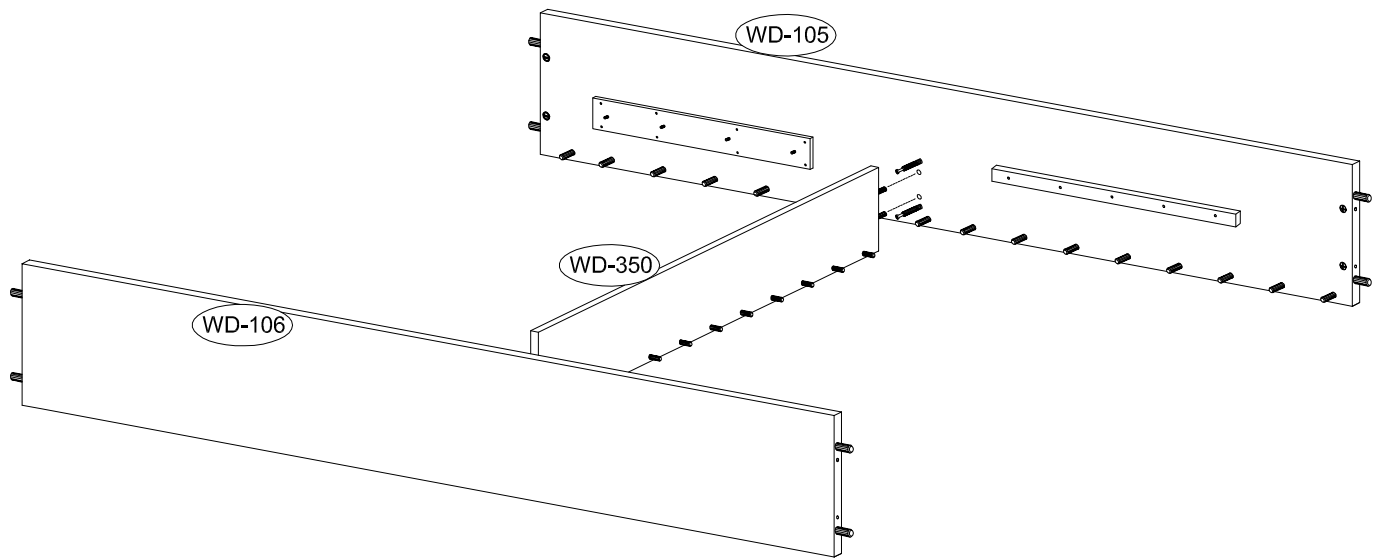
81



31



81



# 13.

3896



M2x10

146787



MLx4

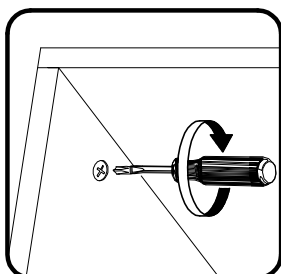
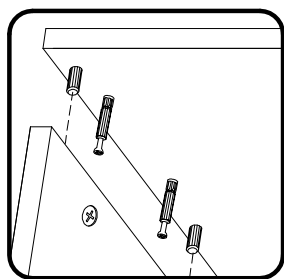
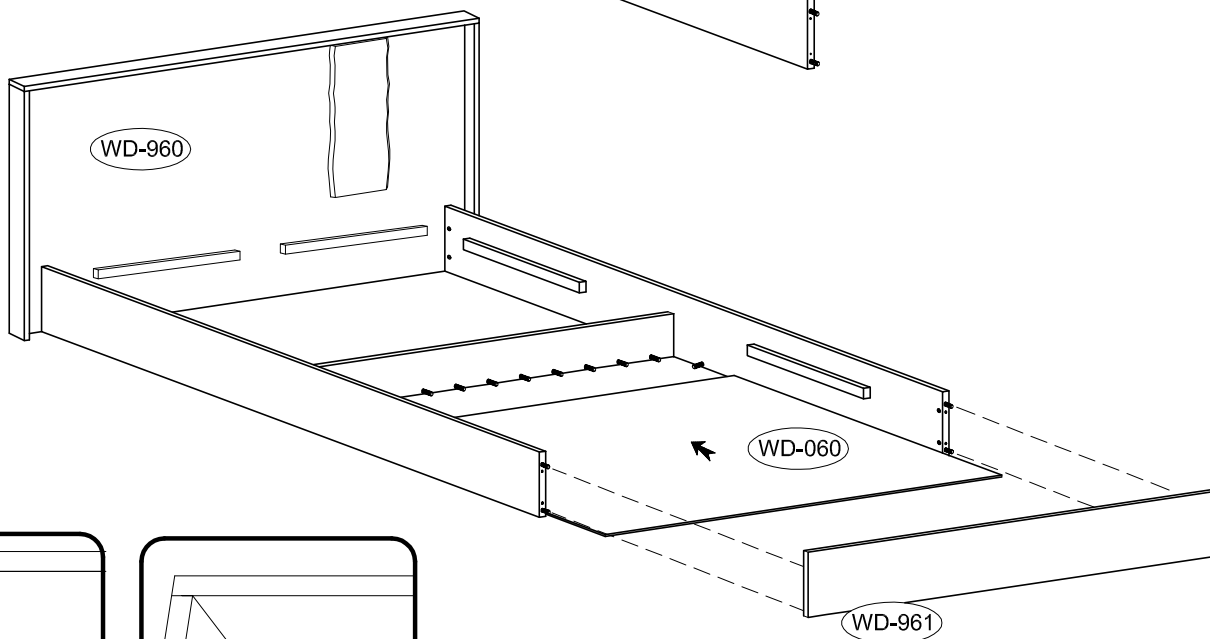
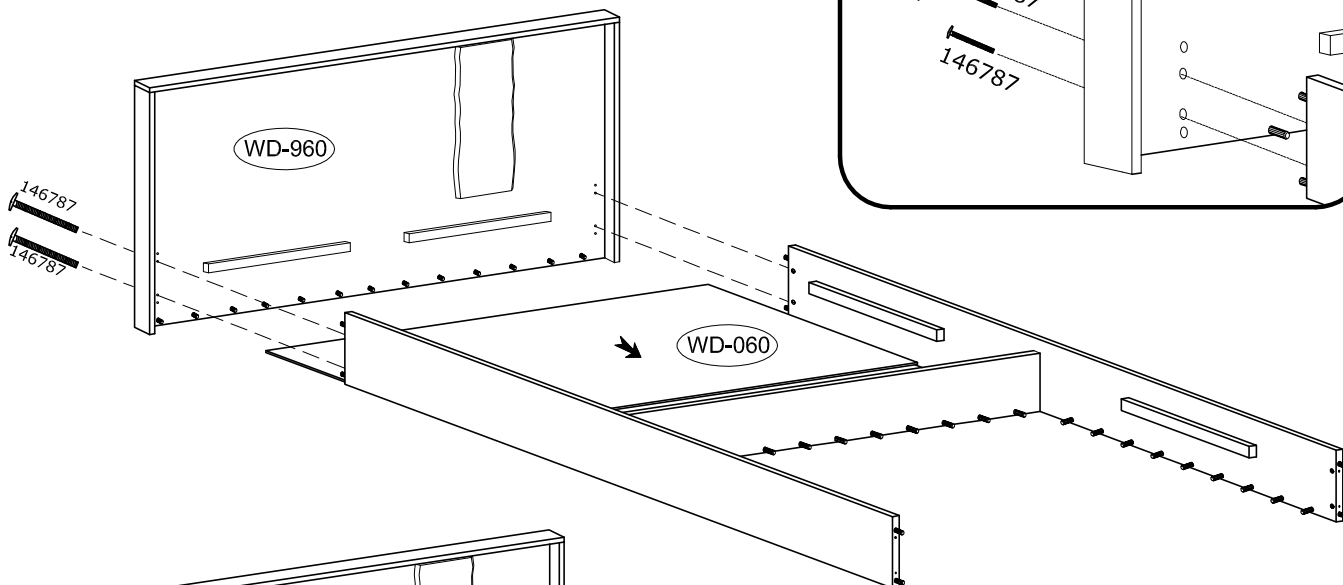
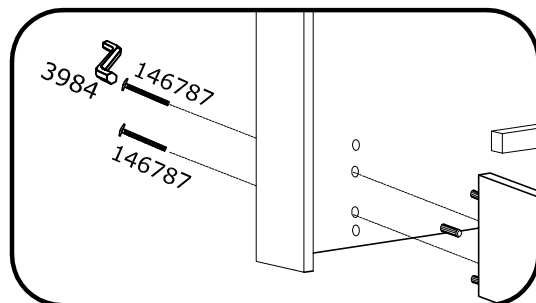
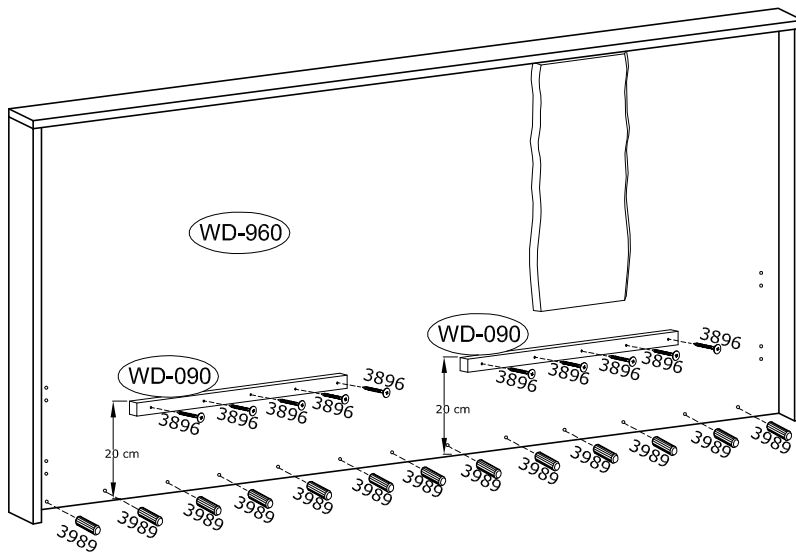
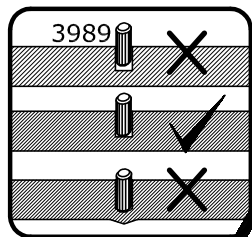
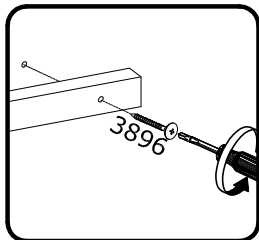
3989



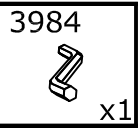
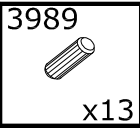
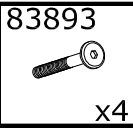
Dx13



## 31



# 13.2



81

