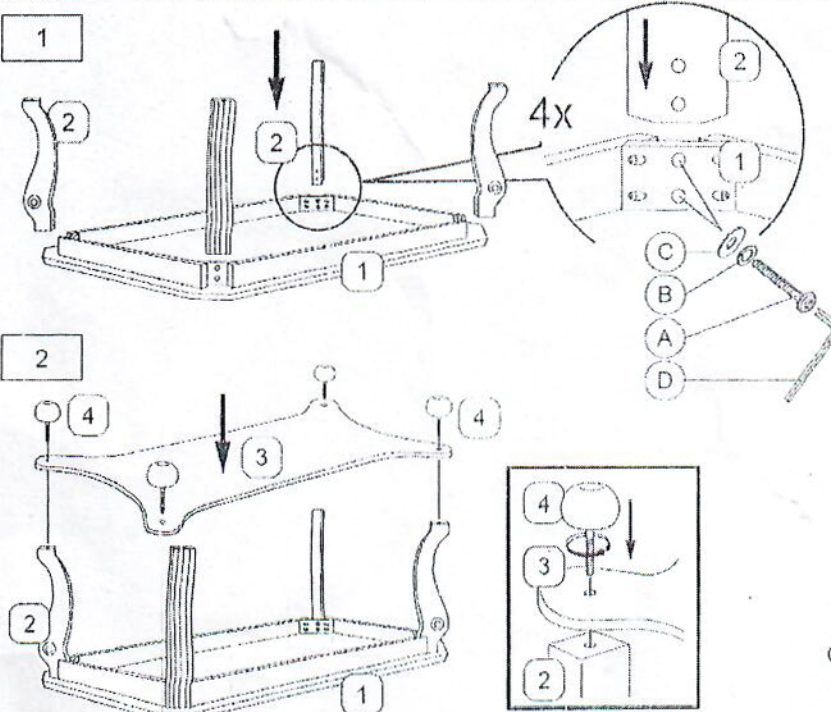


ASSEMBLY INSTRUCTION

Model: KF 2032 COFFEE TABLE

Thanks you for purchasing this quality product. Be sure to check all packing material carefully for small parts which may have come loose inside the carton during the shipment. Count all parts and needed hardware, compare the parts list below to be sure all parts are present.





NOTE: HARDWARE AND QUANTITY SHOWN BELOW ARE FOR 1 UNIT ASSEMBLY



Part List

No	DESCRIPTION	QTY.
1	Table Top	1 pc
2	Table Leg	4 pcs
3	Table Bottom Panel	1 pc
4	Bun Foot	4 pcs

Hardware List

No	DESCRIPTION	QTY.
A	JCBC Screw 	8 pcs
B	Spring Washer 	8 pcs
C	Flat Washer 	8 pcs
D	Allen Key M4 	1 pc

