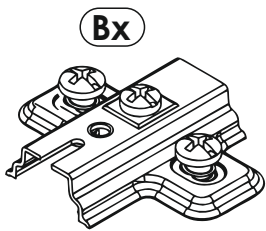
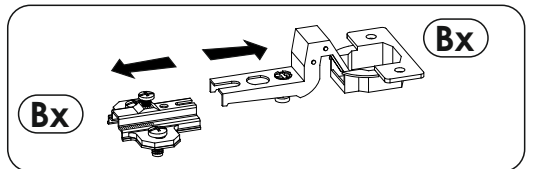
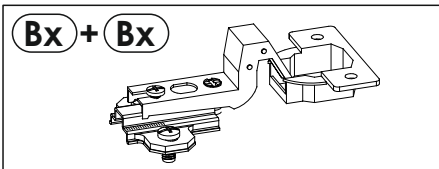
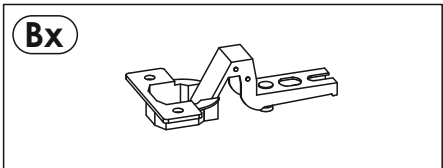
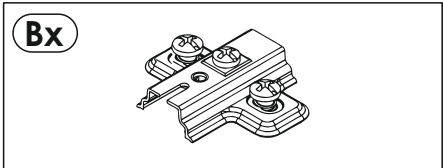
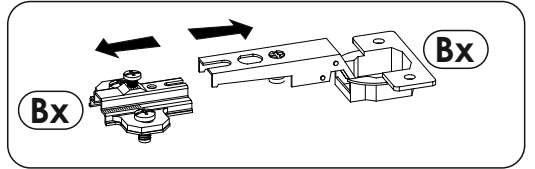
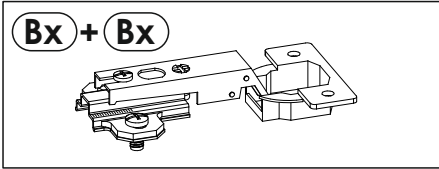
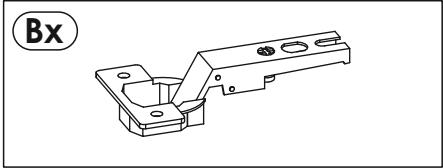
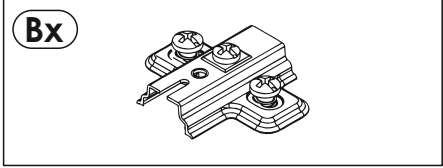


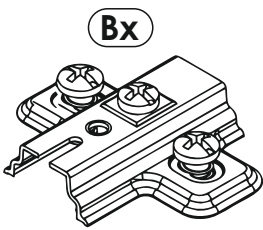
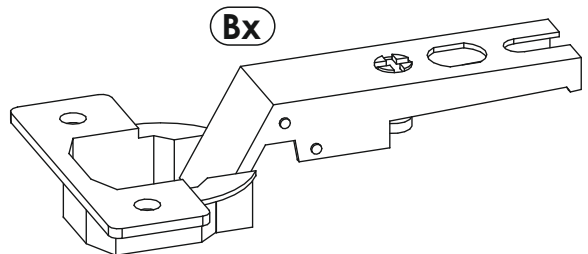


A

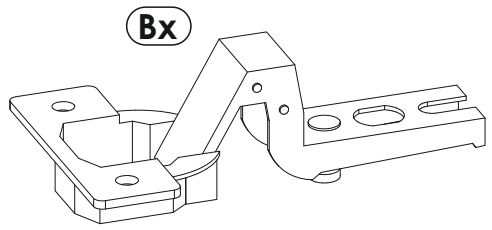
B

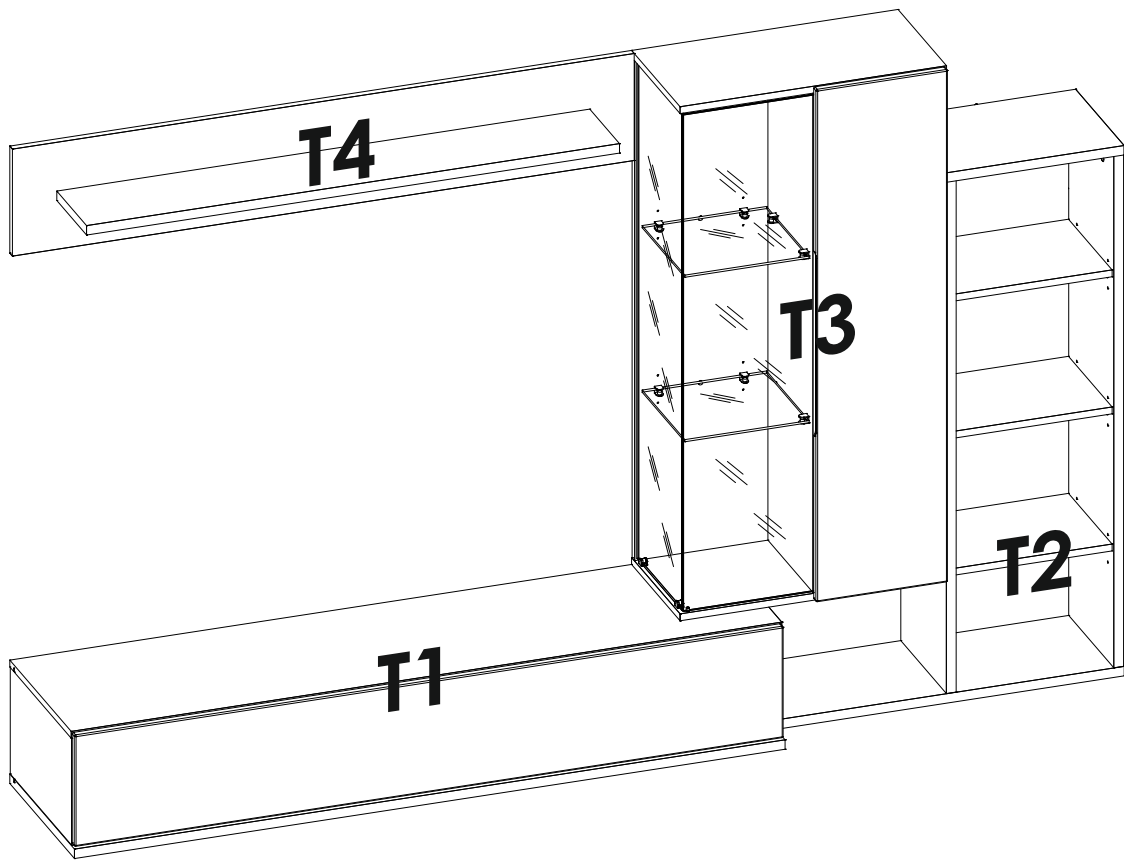


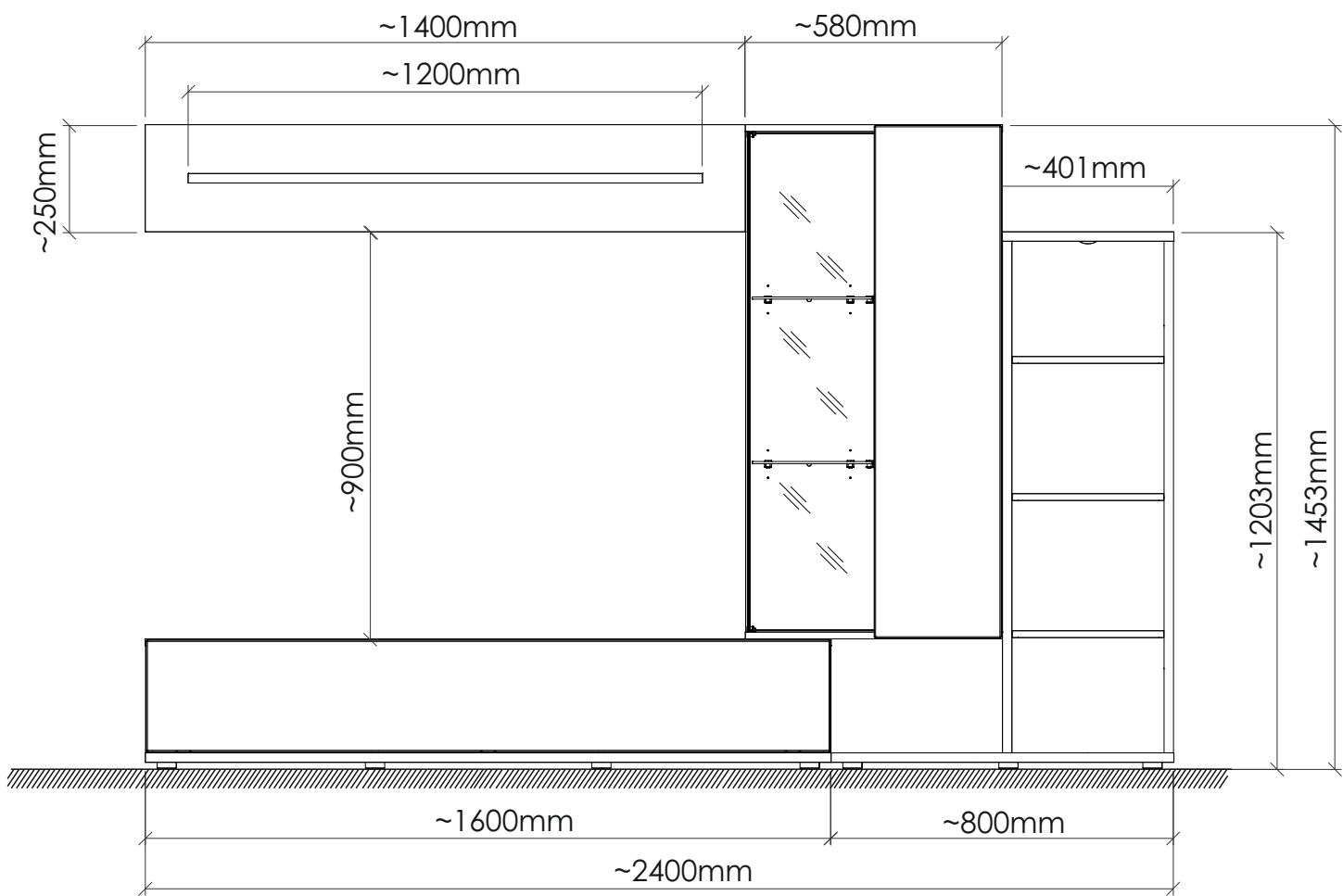
OK



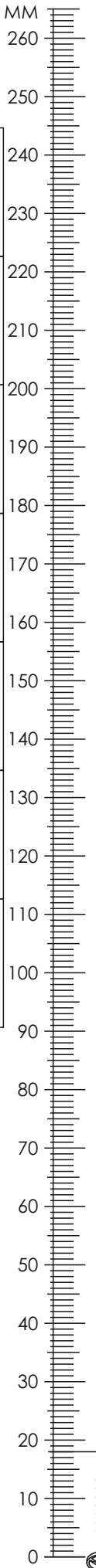
OK


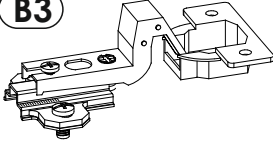
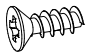
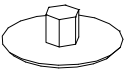

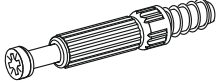
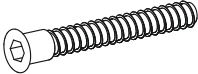


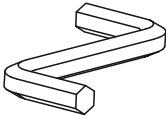

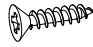

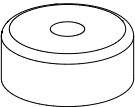
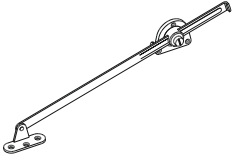
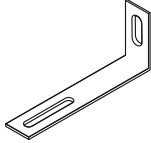
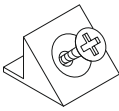
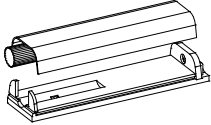
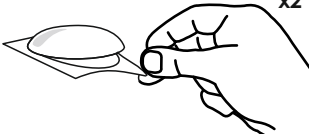
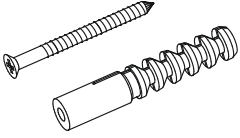
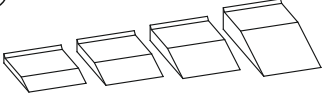


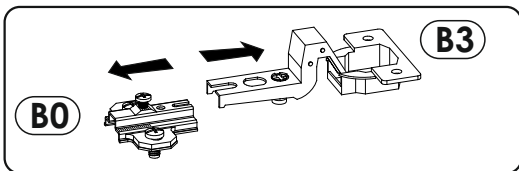




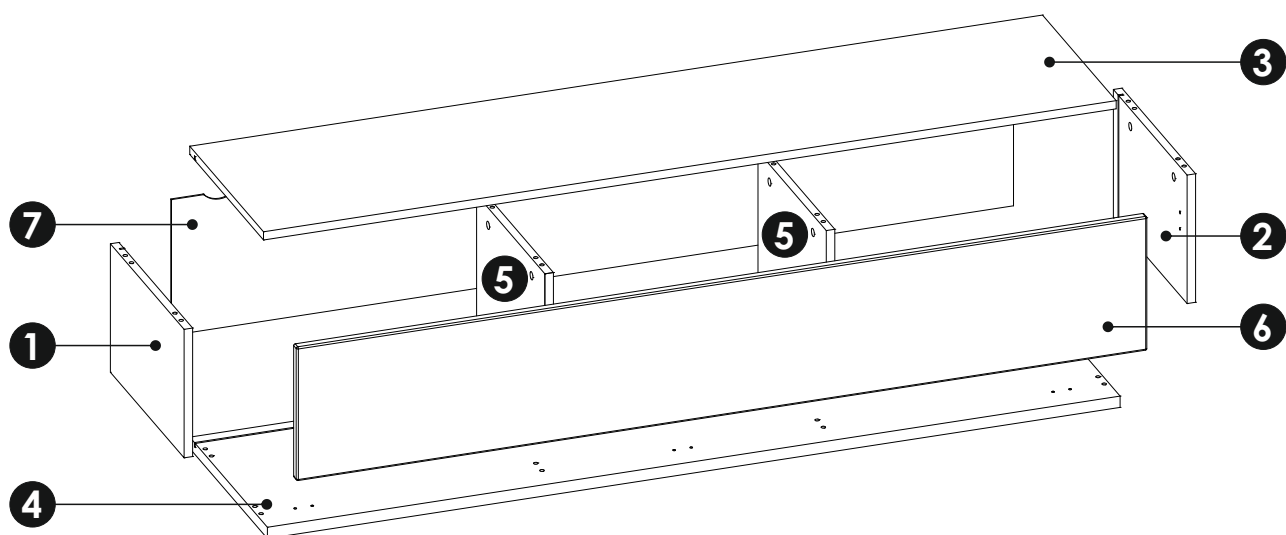
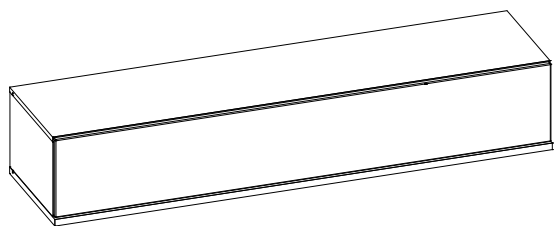
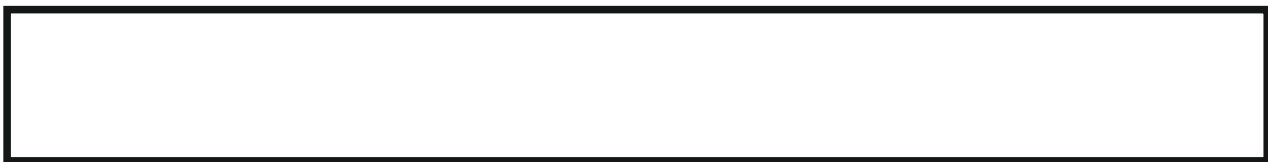
T1



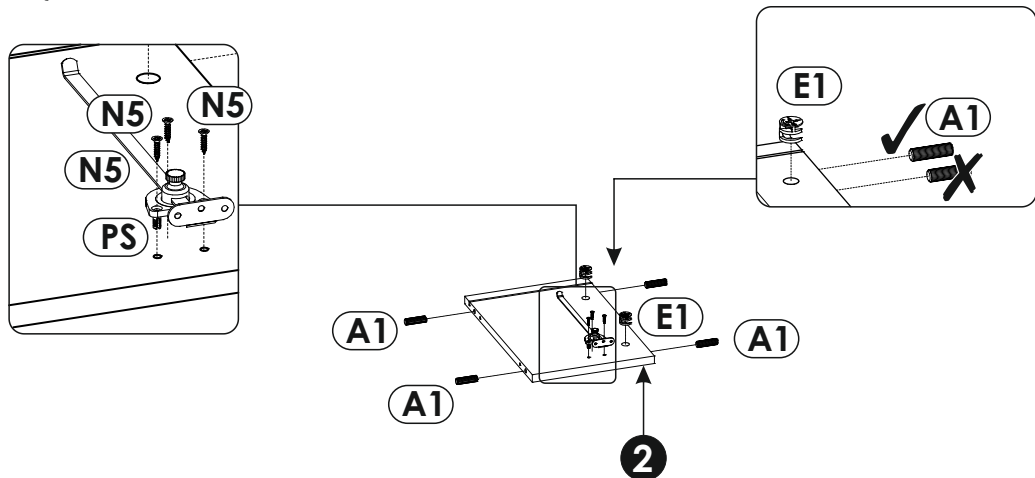
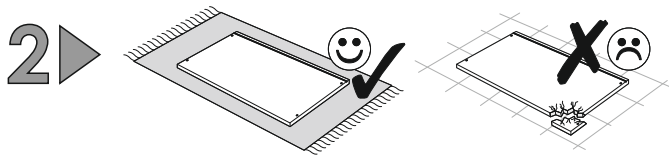
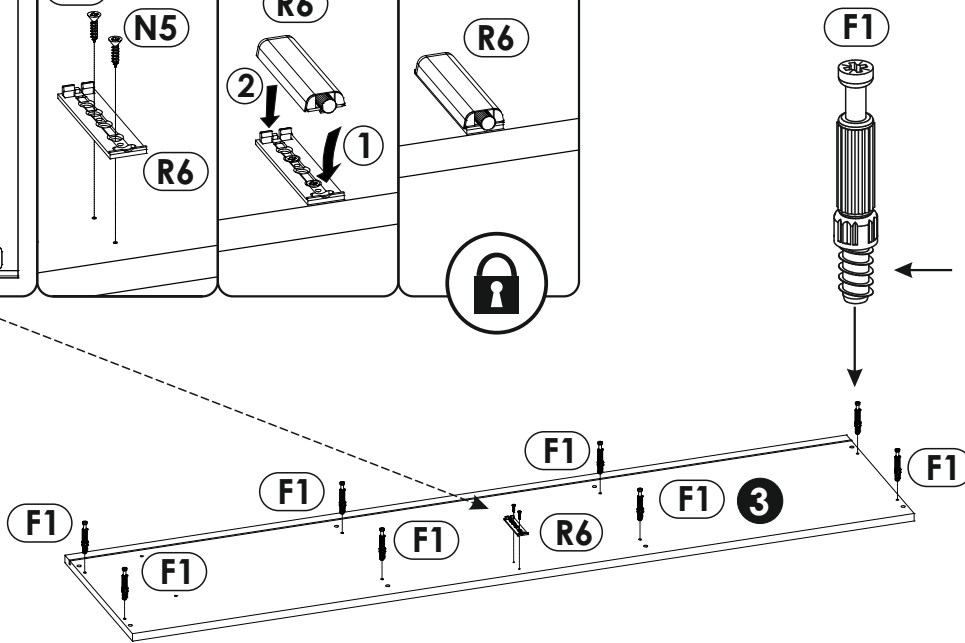
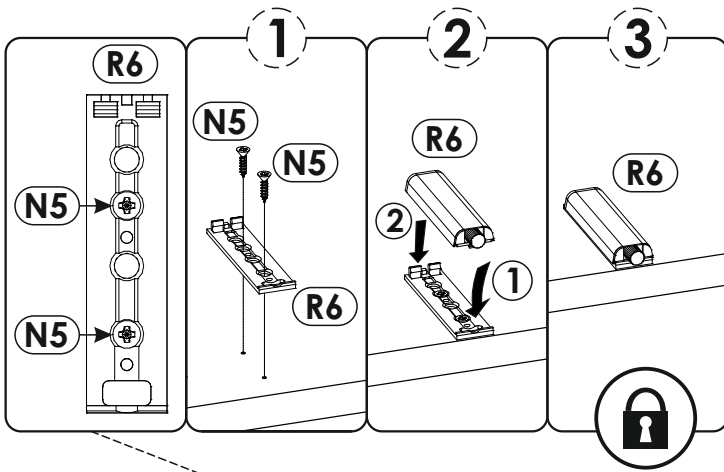
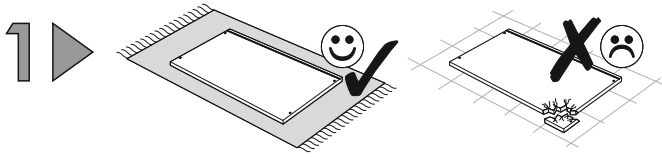
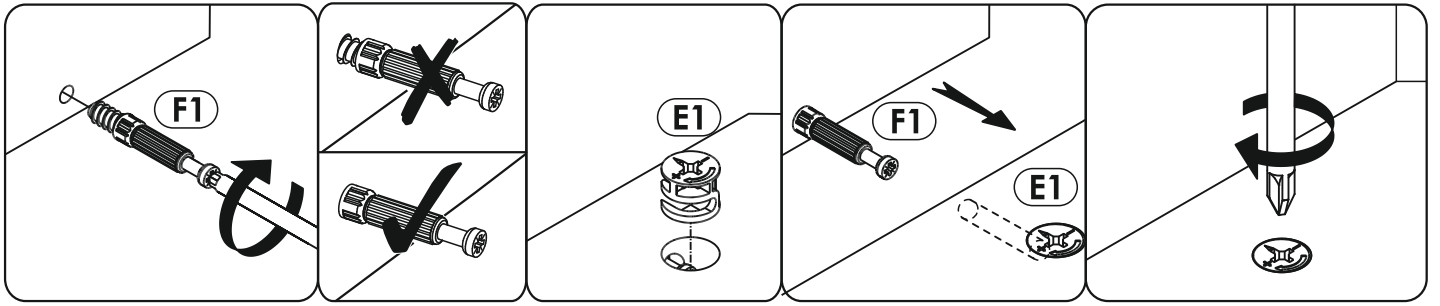
A1 8 x 35 mm x16 	B0 + B3 x3 	C2 5 x 13 mm x6 
E0 Ø16 x8 	E1 15 x 12 mm x8 	F1 6 x 34 mm x8 
G2 7 x 60 mm x8 	I2 4 x 16 mm x2 	I3 3,5 x 22 mm x6 
M x1 	N0 3 x 13 mm x6 	N5 3,5 x 16 mm x8 
N14 4 x 30 mm x2 	O1 x6 	PS x2 
Q9 x2 	R4 x10 	R6 x1 
R8 x2 	S13 x2 Ø8 	Z x1 

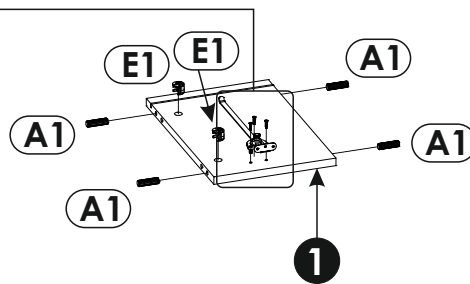
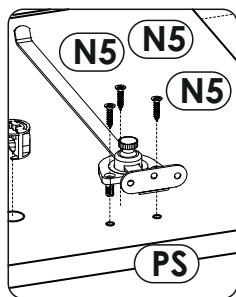
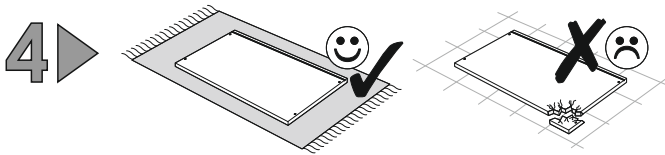
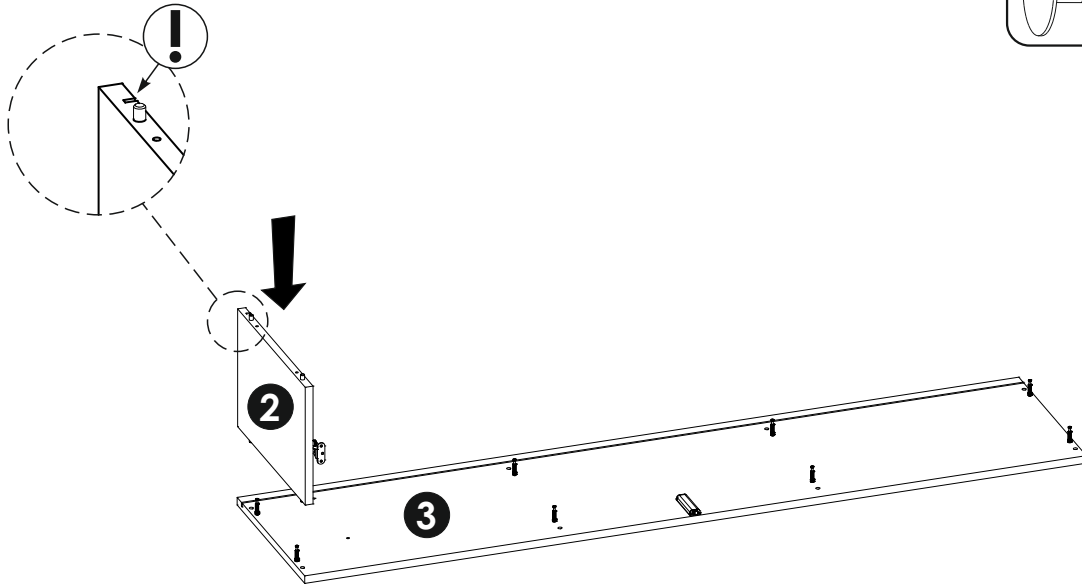
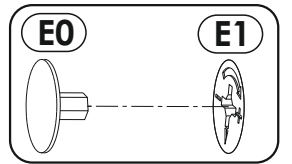
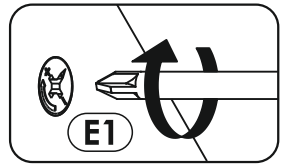
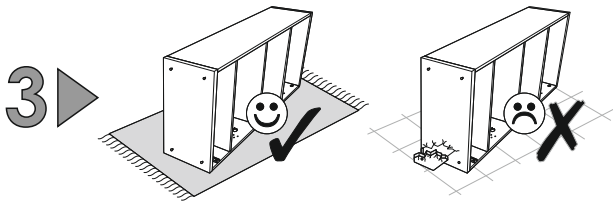


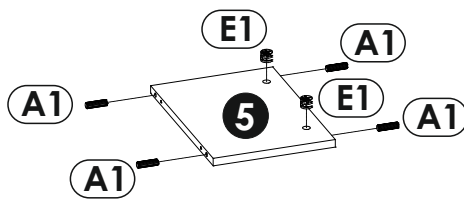
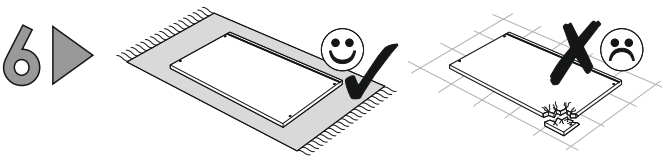
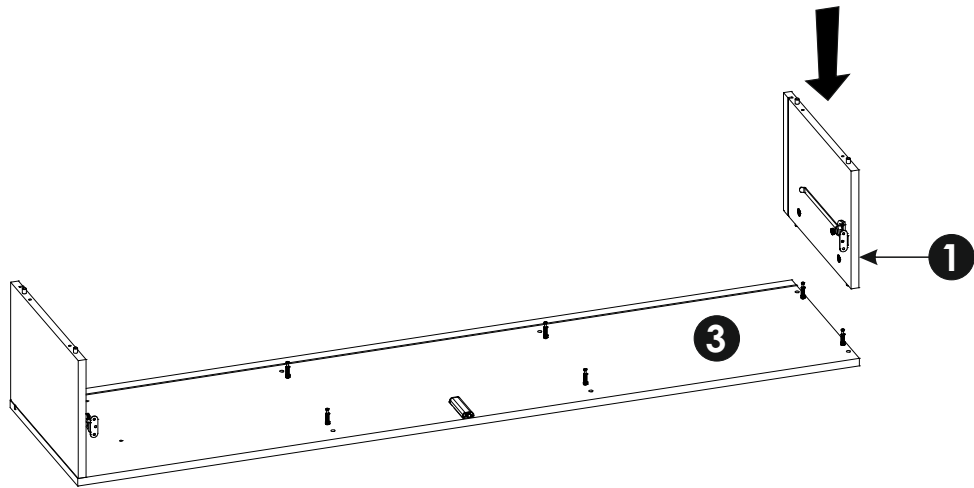
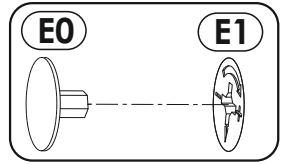
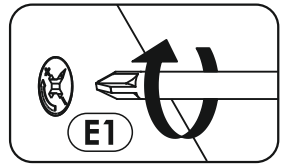
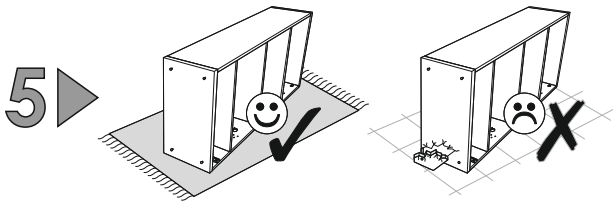
T1



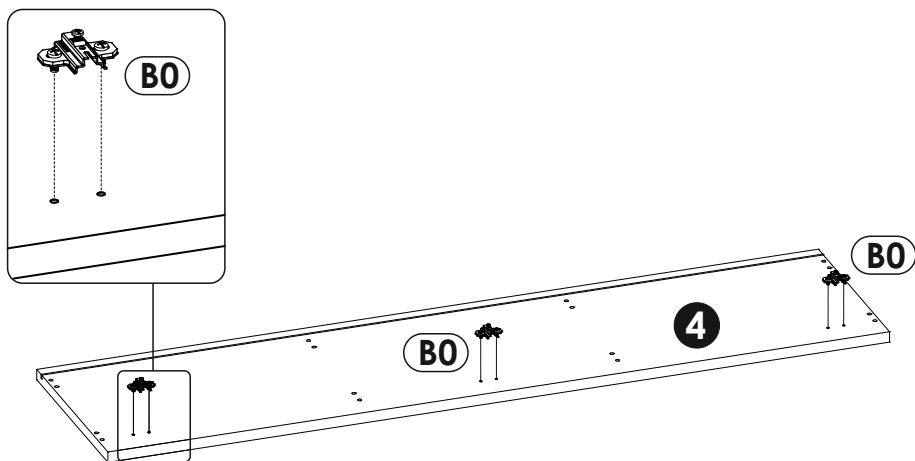
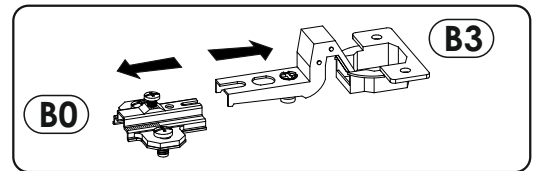
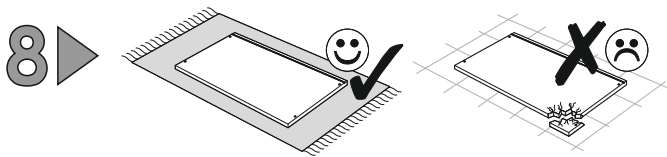
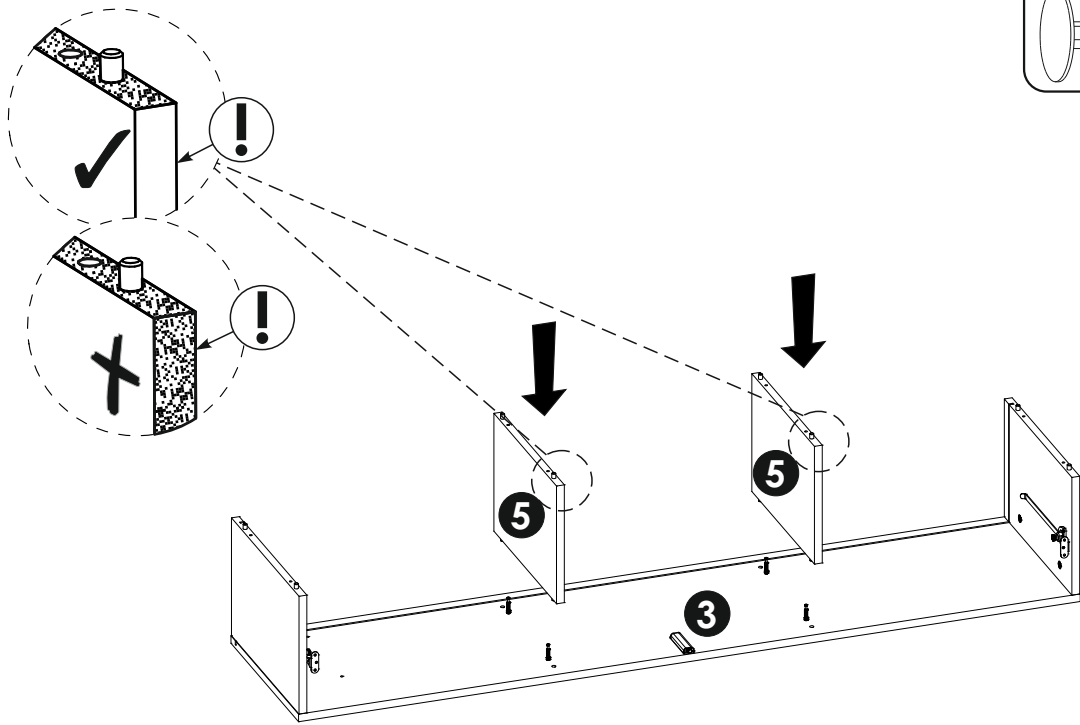
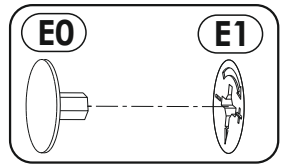
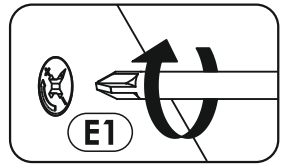
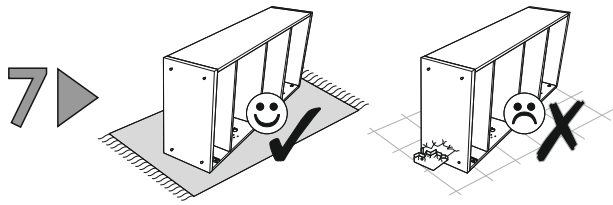
1	250	380	16	x1	2/3
2	250	380	16	x1	2/3
3	1600	380	16	x1	3/3
4	1600	400	22	x1	3/3
5	250	352	16	x2	2/3
6	1596	260	16	x1	3/3
7	1580	264	3	x1	3/3

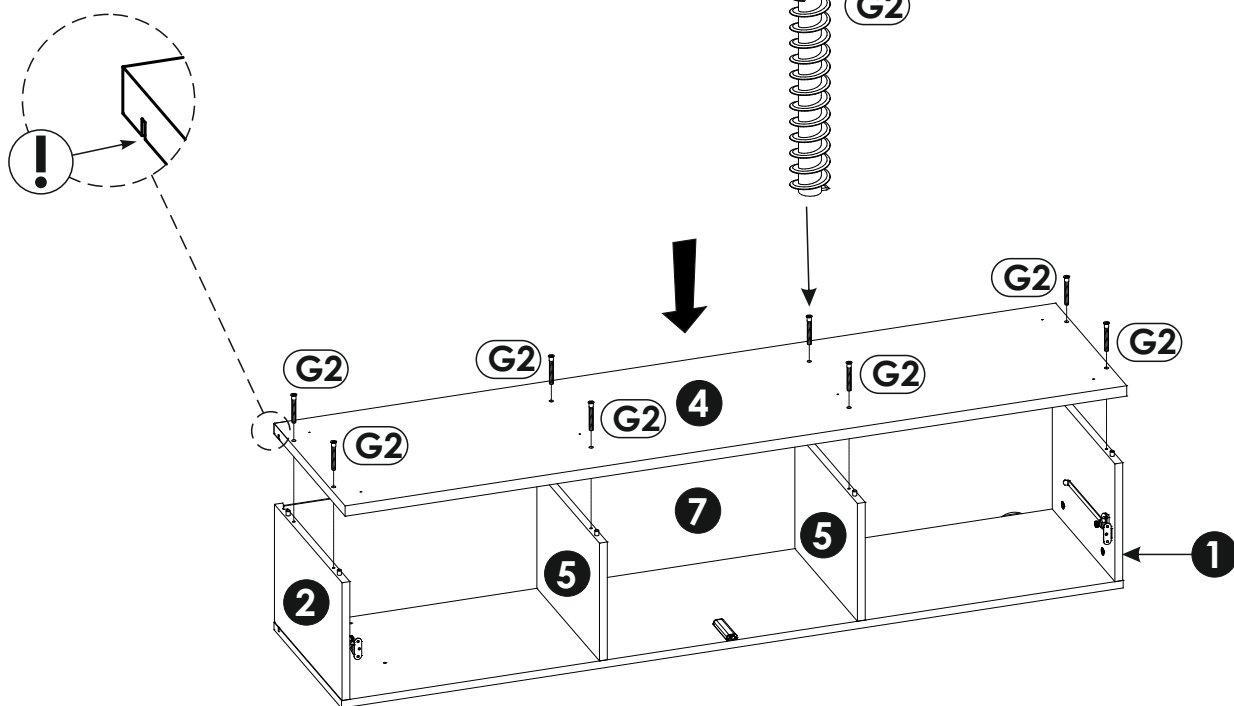
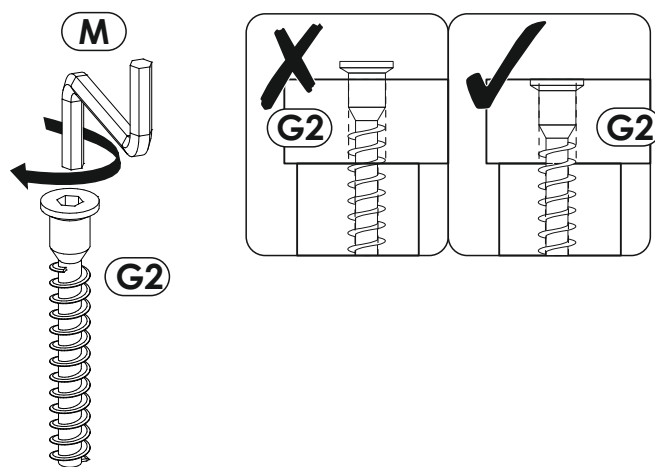
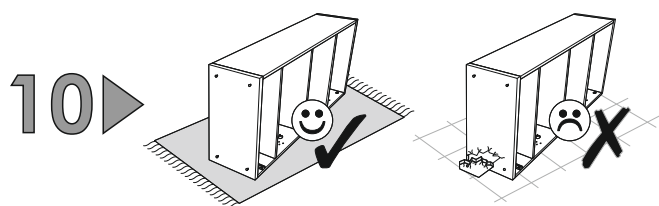
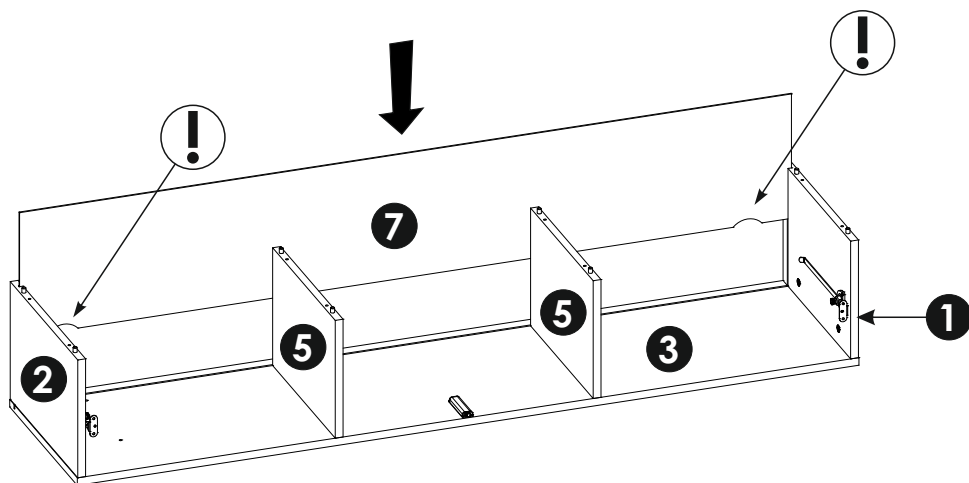
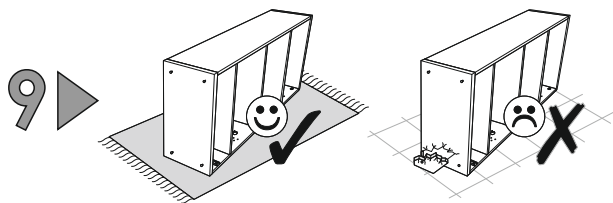


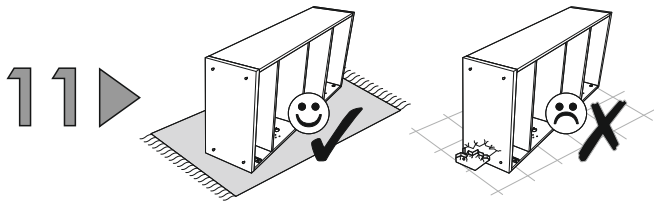




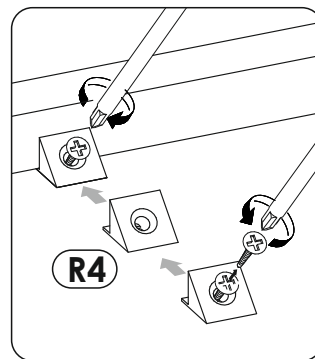
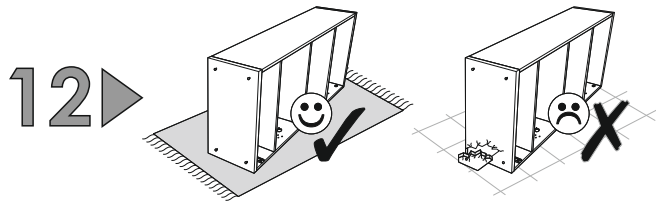
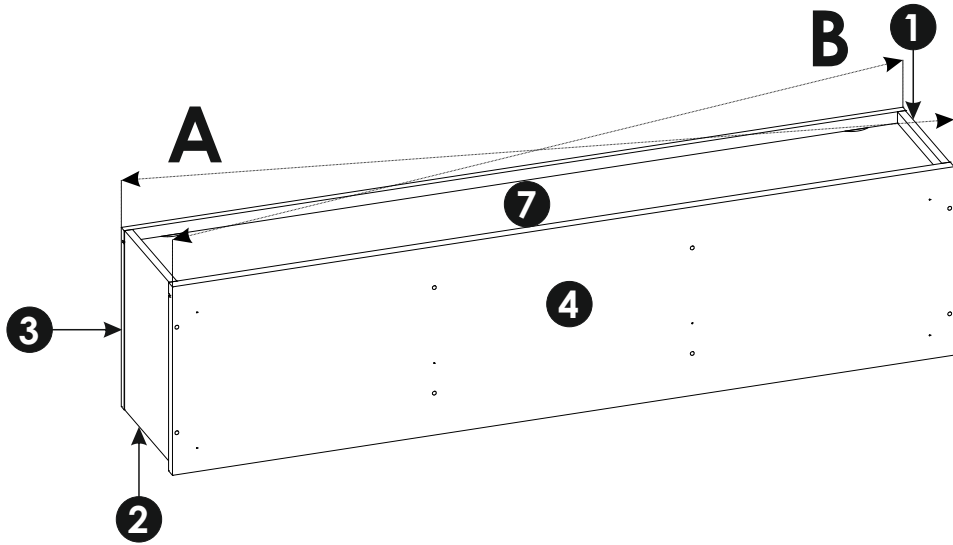
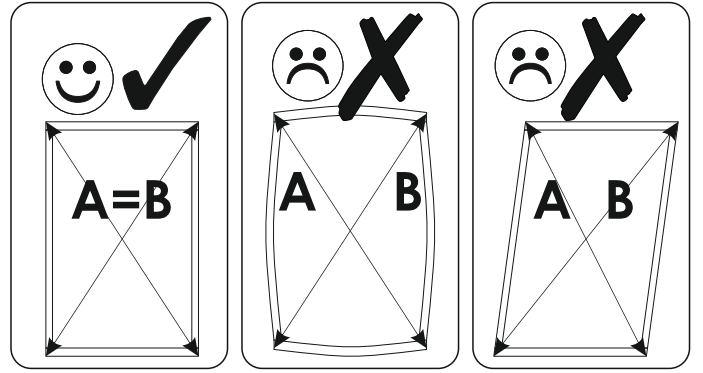
x2



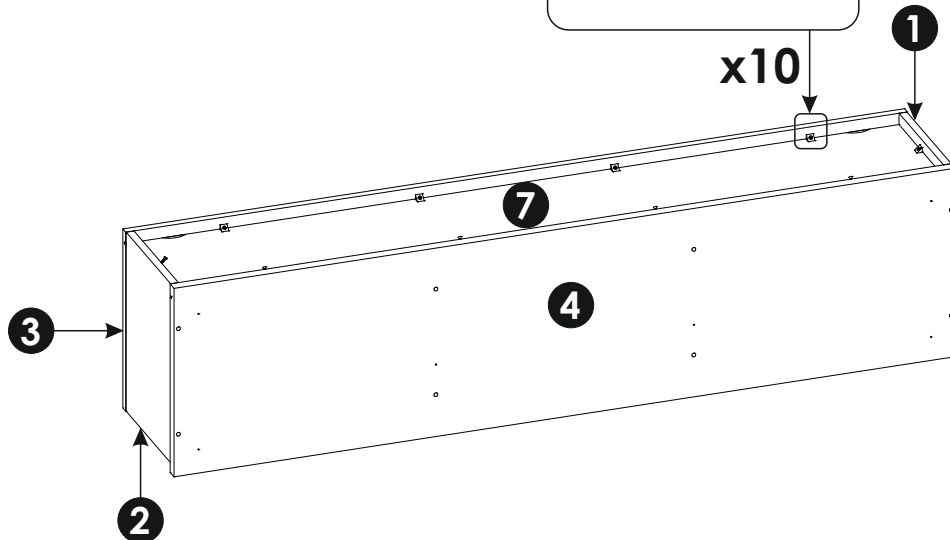




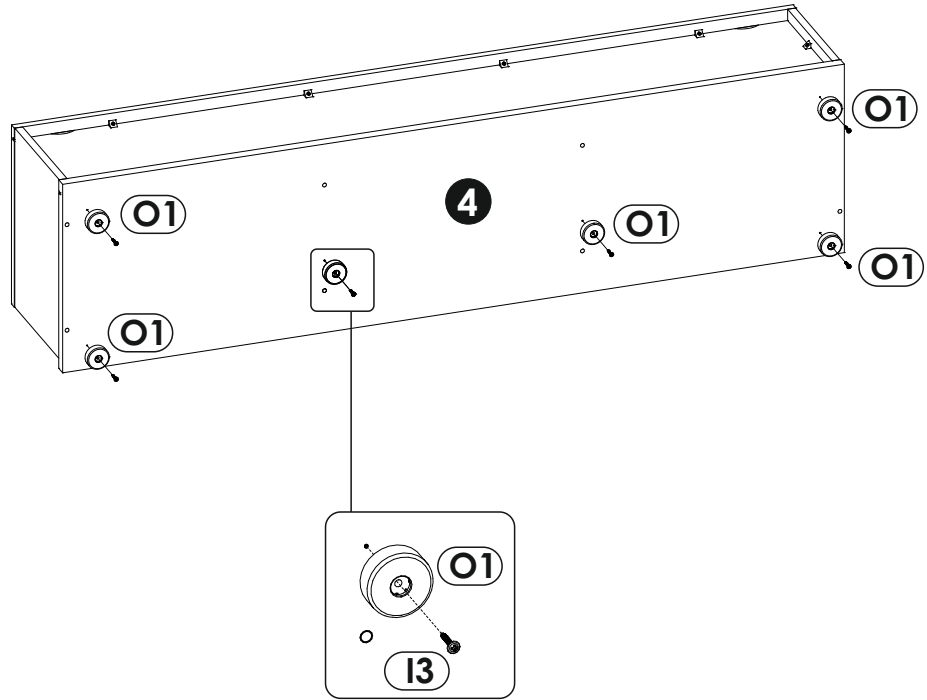
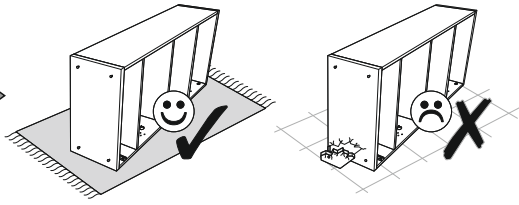
A=B

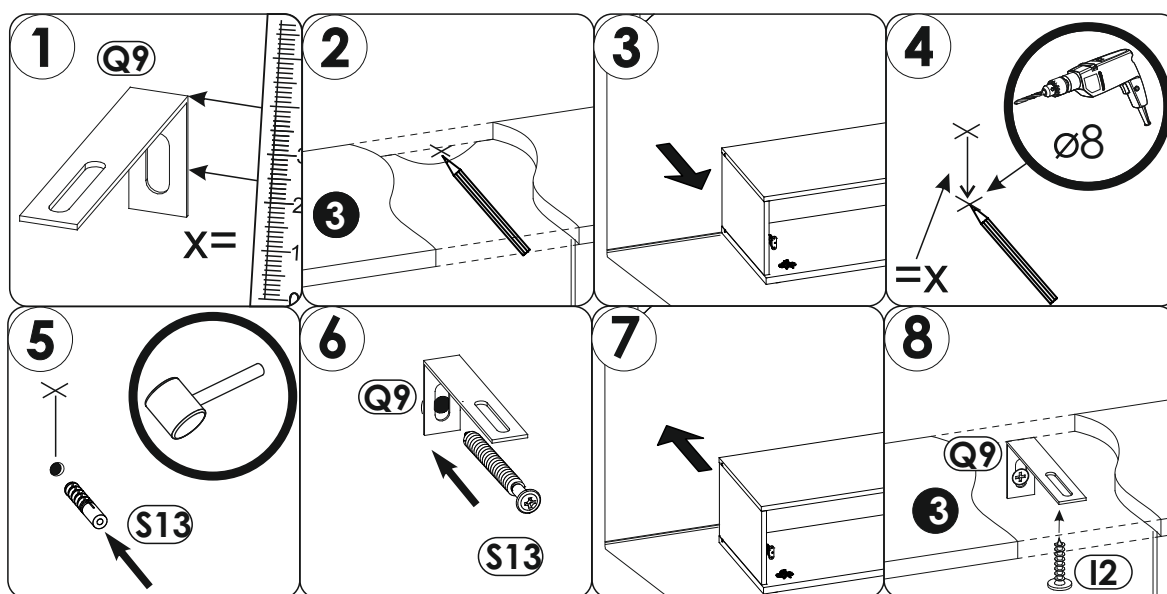
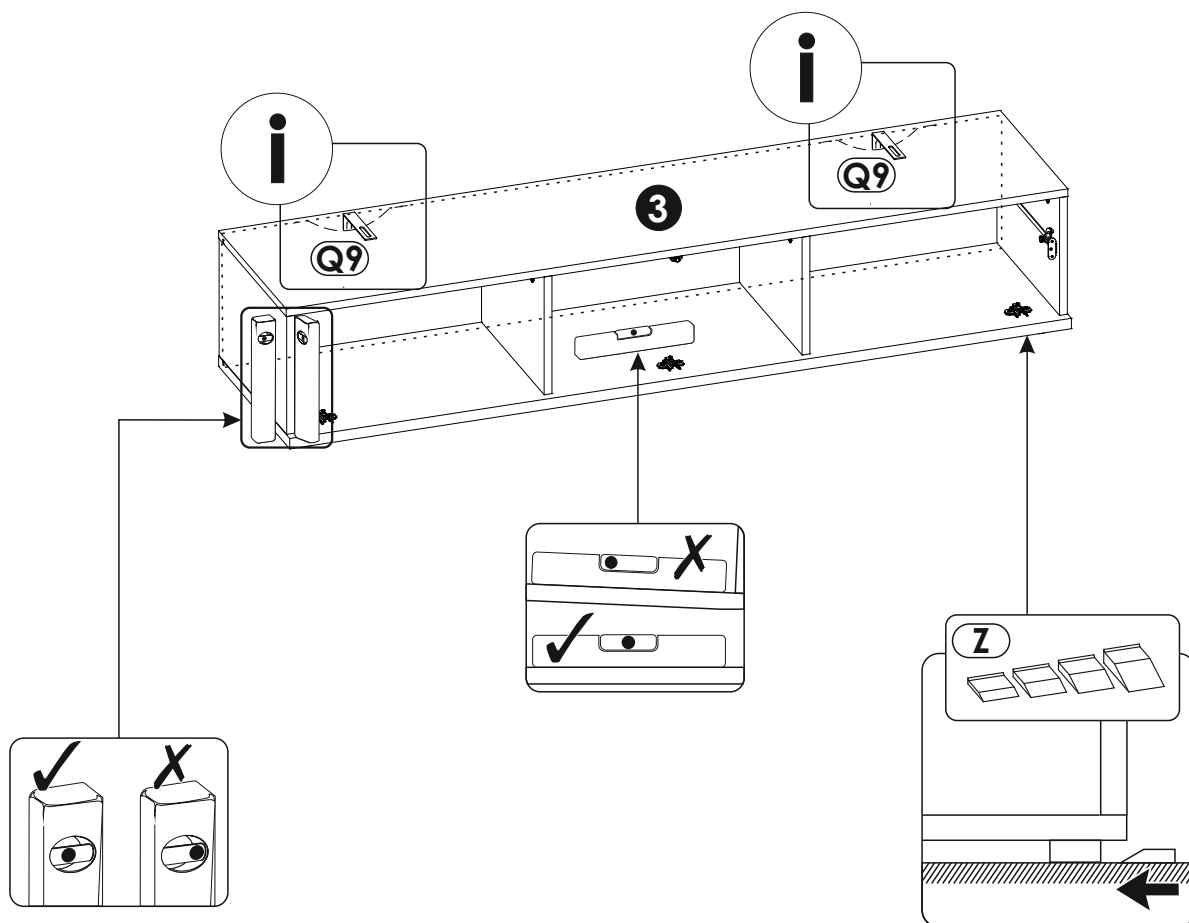
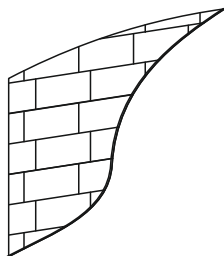
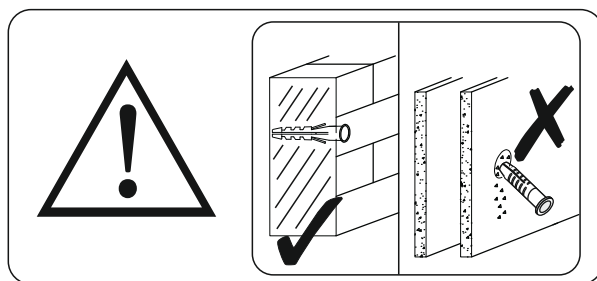


x10

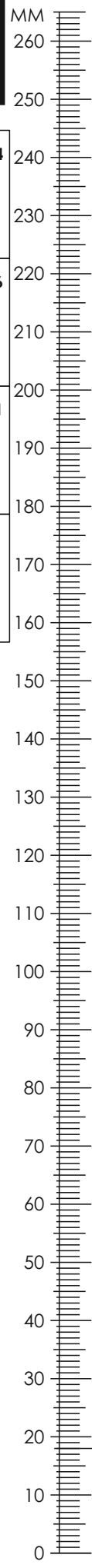


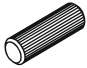
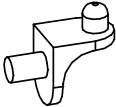
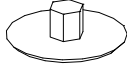

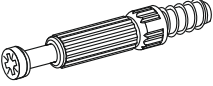
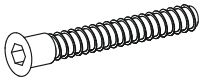
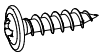

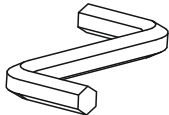
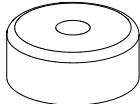
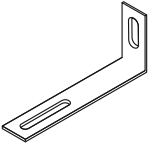
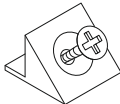
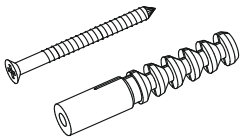
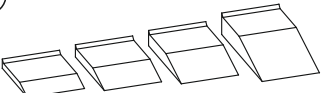
13 ▶



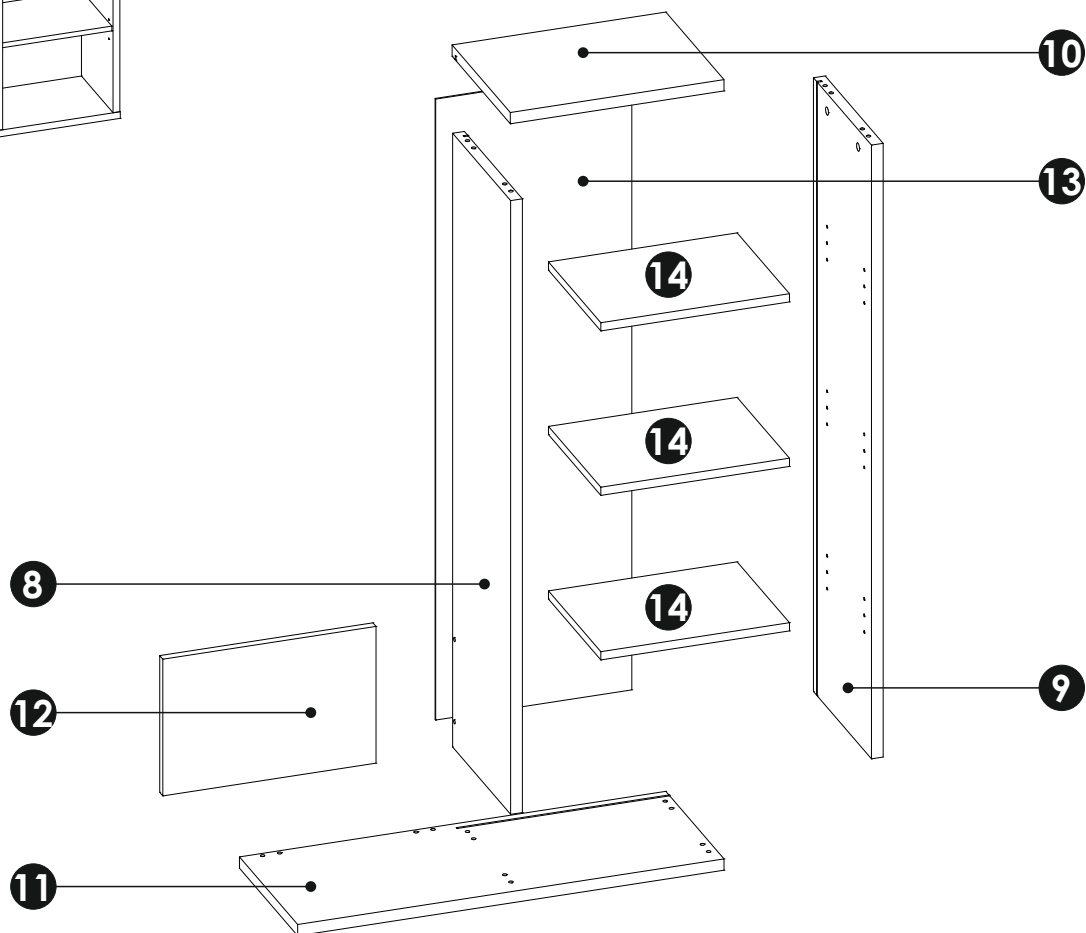
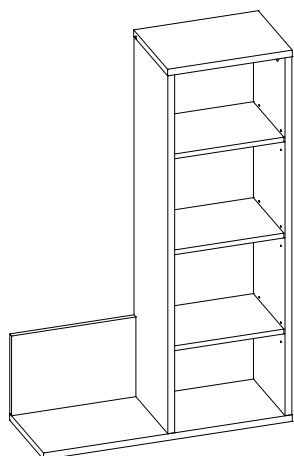


T2



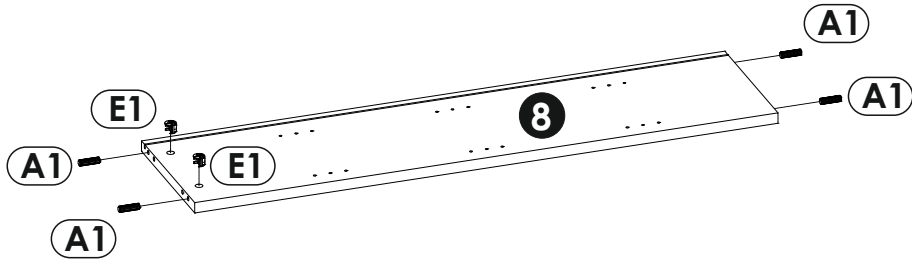
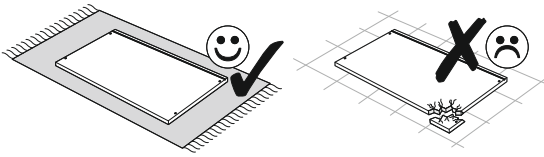
A1 8 x 35 mm x12 	D6  x12	E0 Ø16 x4 
E1 15 x 12 mm x4 	F1 6 x 34 mm x4 	G2 7 x 60 mm x6 
I2 4 x 16 mm x1 	I3 3,5 x 22 mm x5 	M  x1
O1  x5	Q9  x1	R4  x8
S13  x1 Ø8	Z  x1	

T2

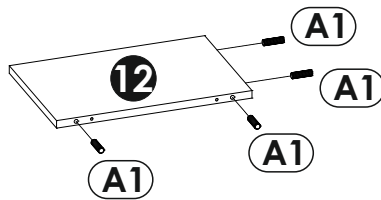
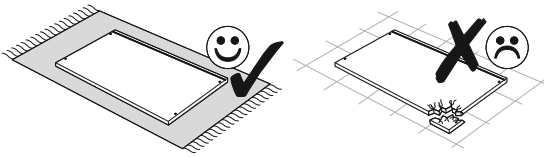


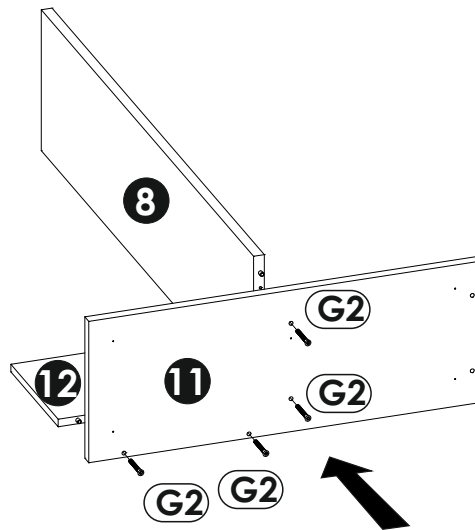
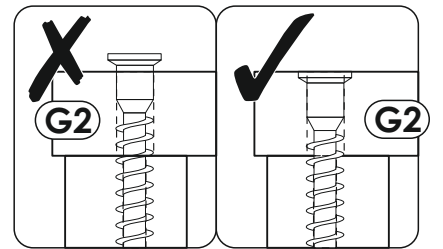
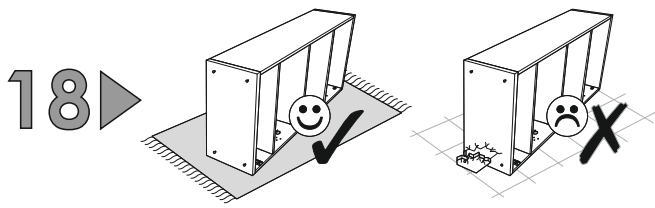
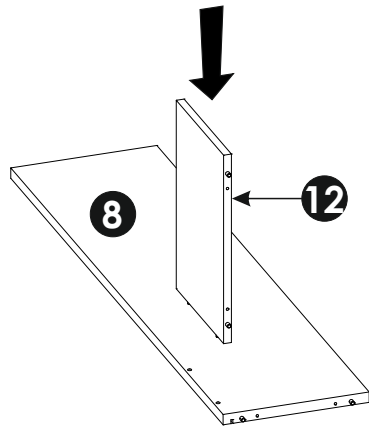
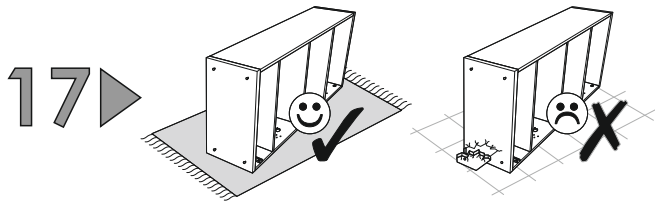
8	1144	299	22	x1	1/3
9	1144	299	22	x1	1/3
10	401	300	22	x1	1/3
11	800	300	22	x1	1/3
12	400	266	16	x1	1/3
13	368	1158	3	x1	3/3
14	354	270	16	x3	1/3

15▶

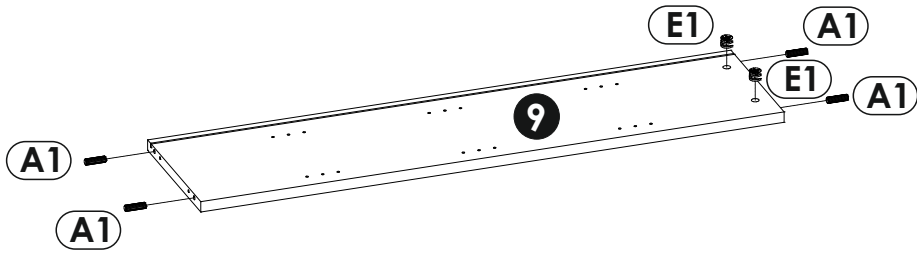
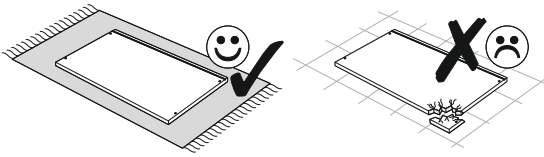


16▶

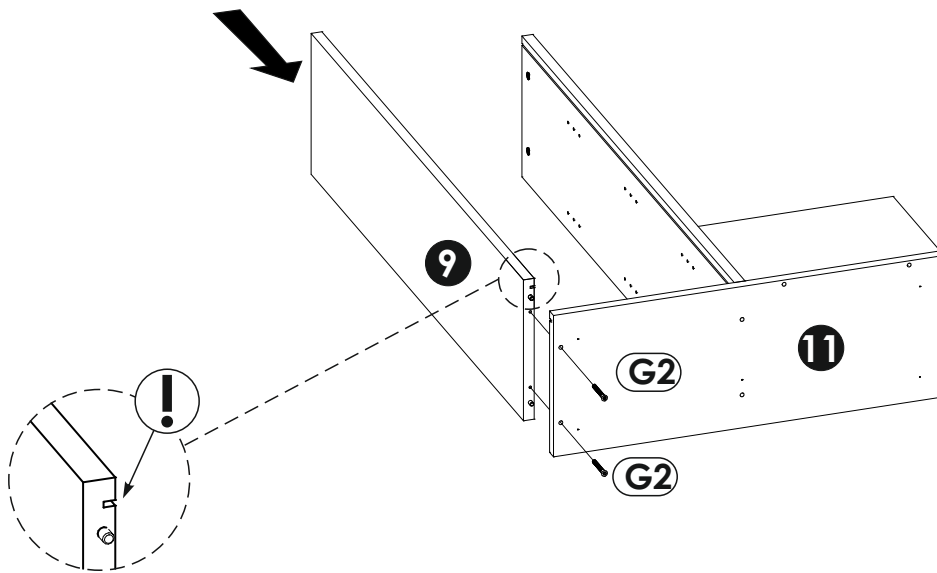
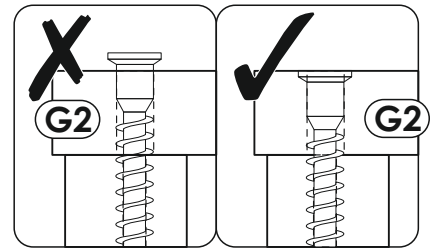
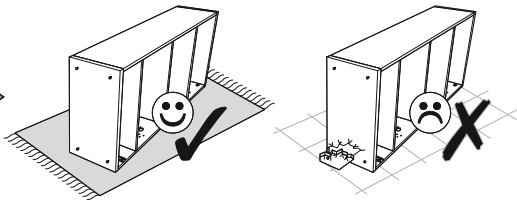




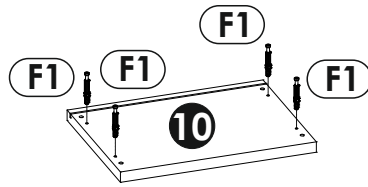
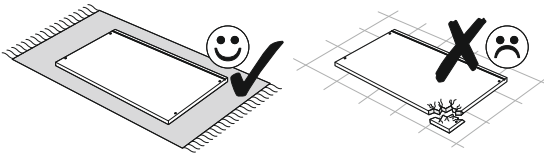
19 ▶



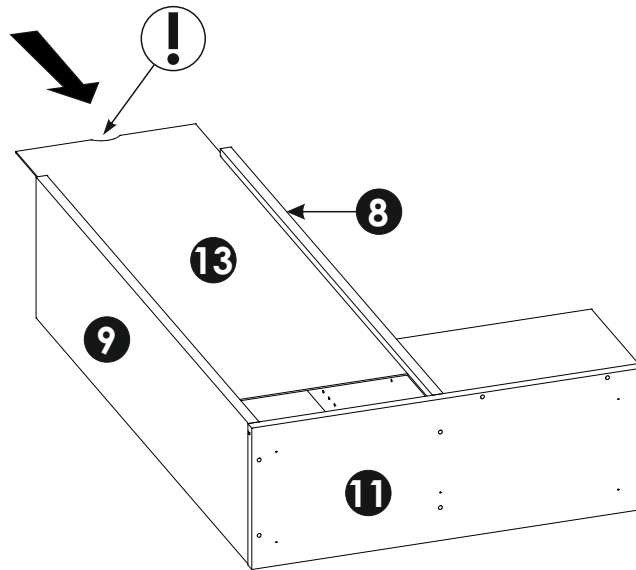
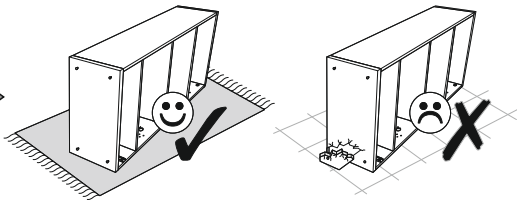
20 ▶



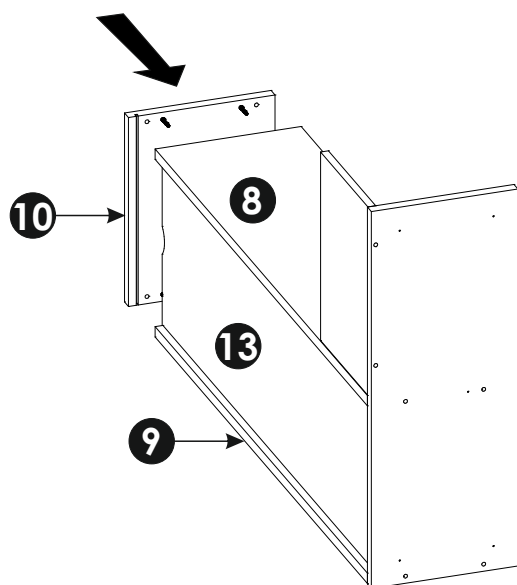
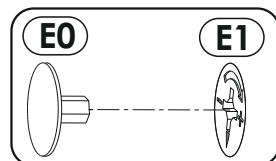
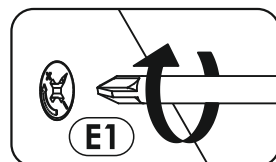
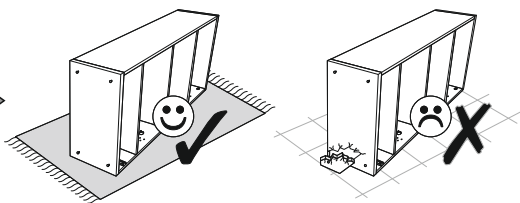
21 ▶



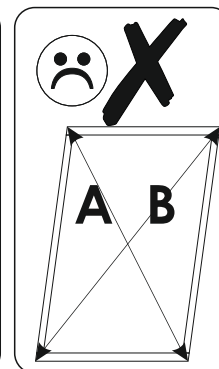
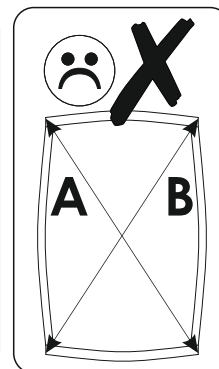
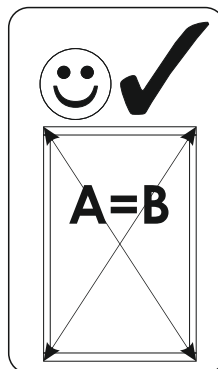
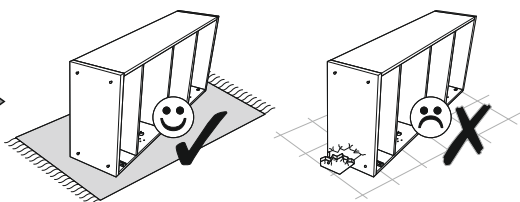
22 ▶



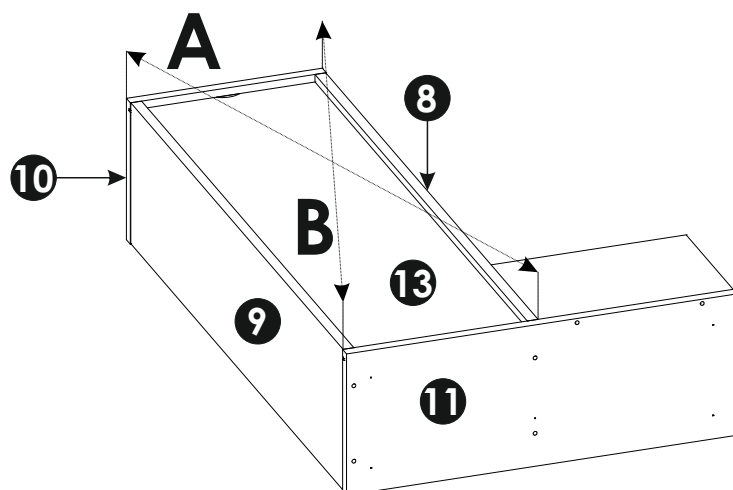
23 ▶



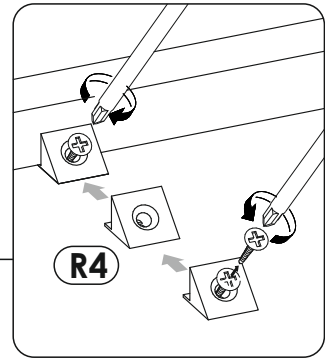
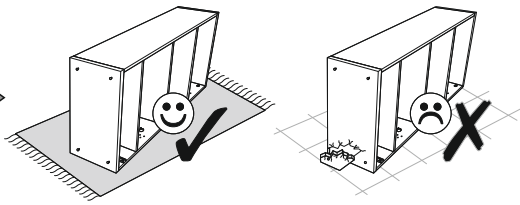
24 ▶



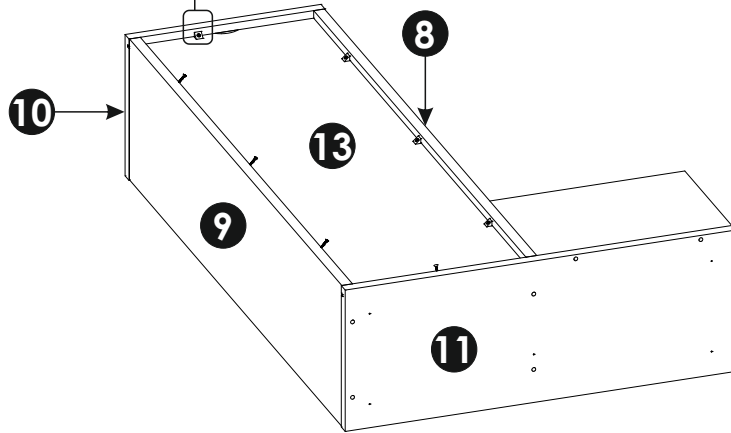
A=B



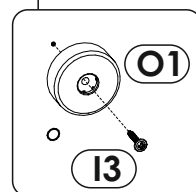
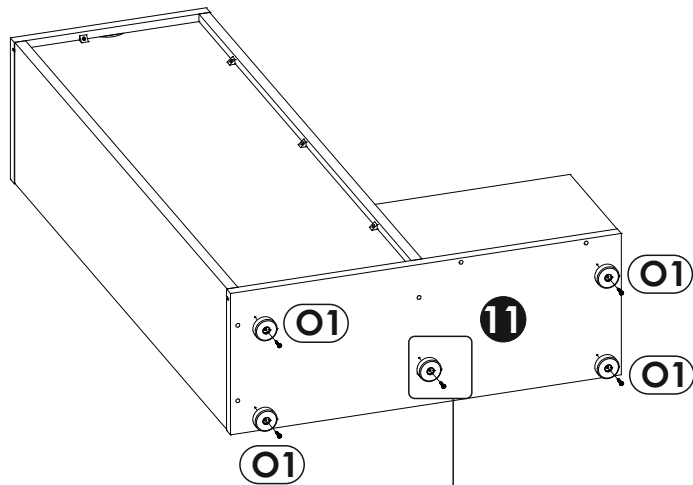
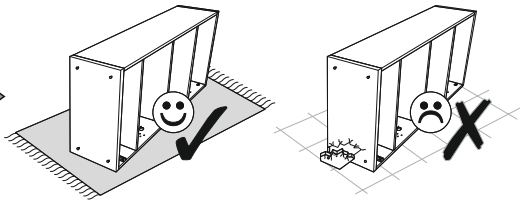
25 ▶

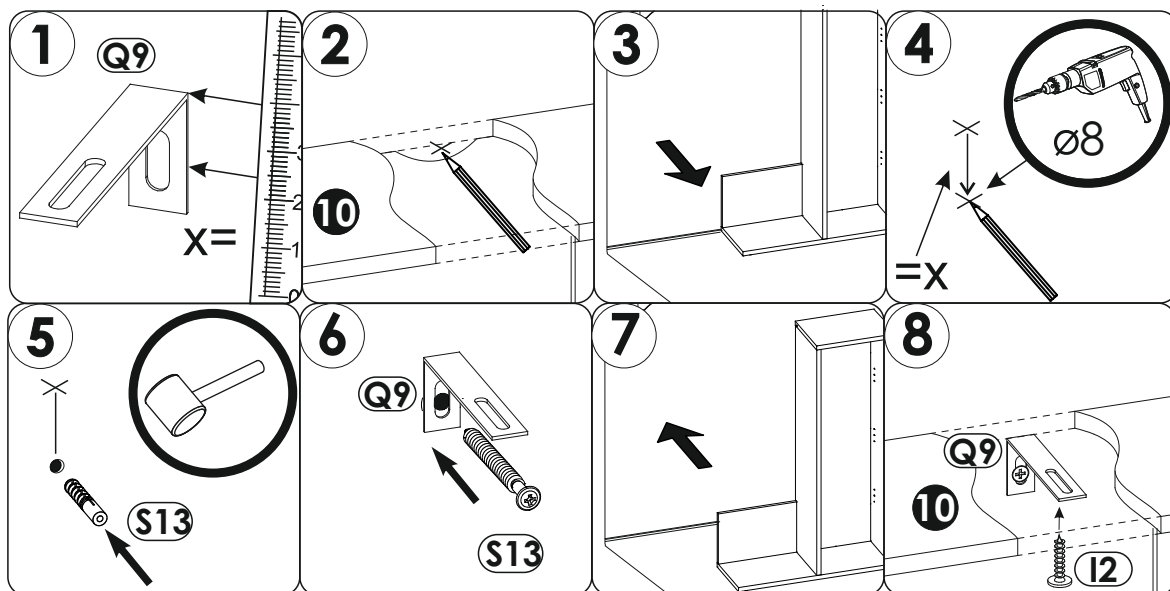
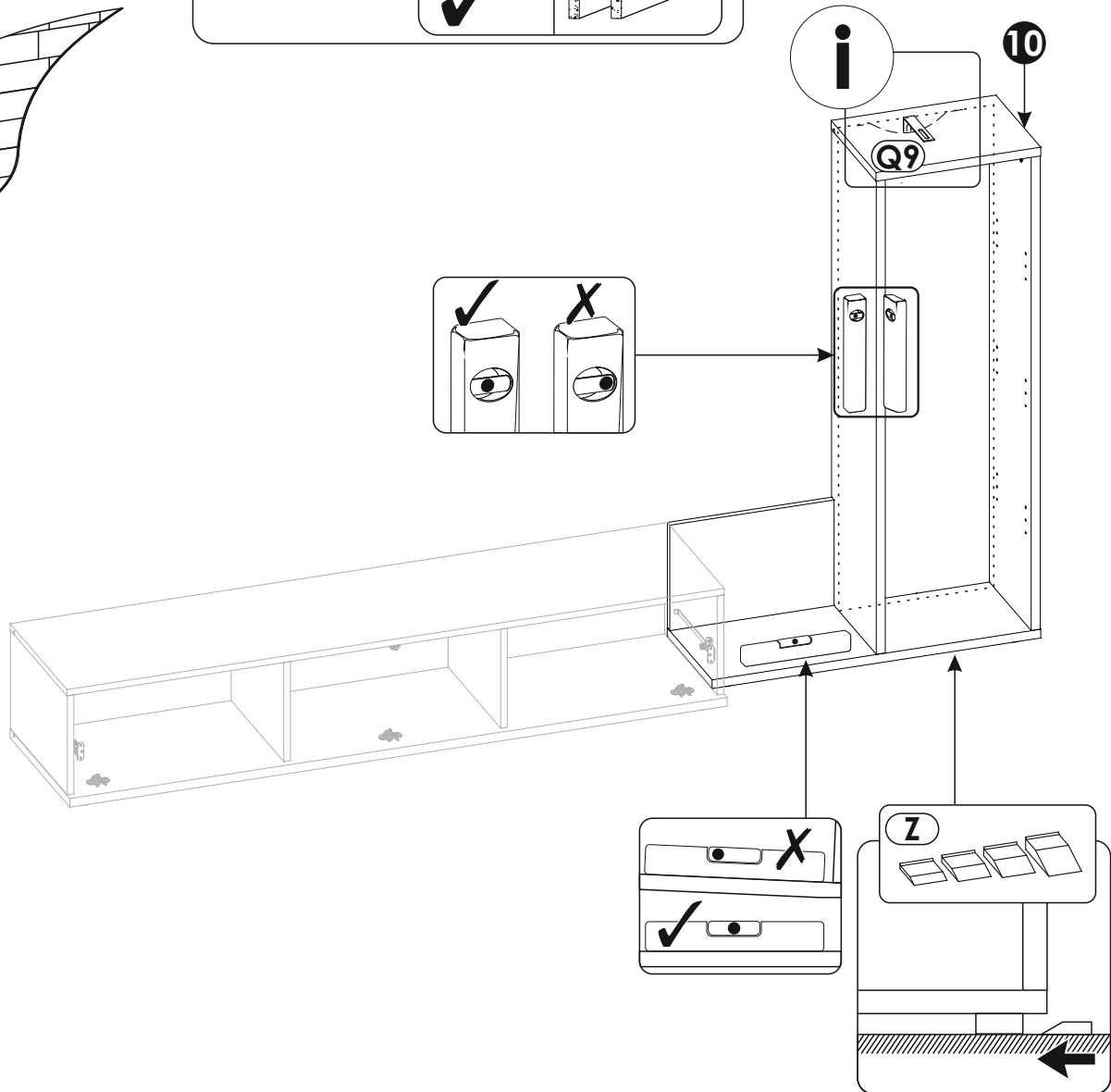
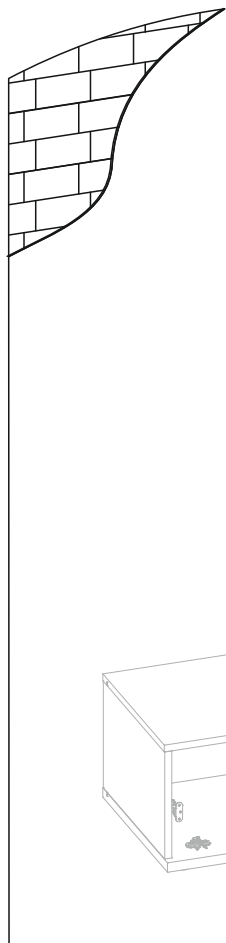
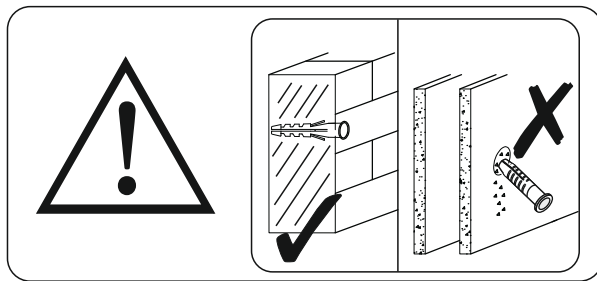


x8

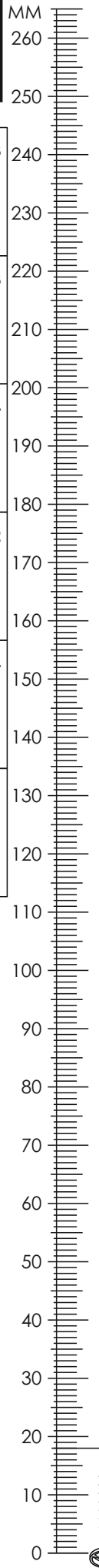



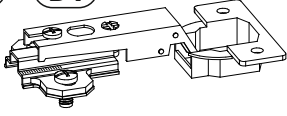
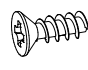
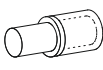
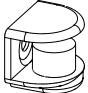


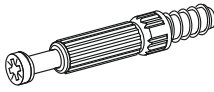
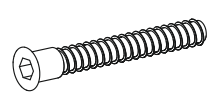



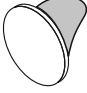
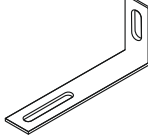

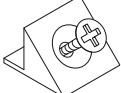
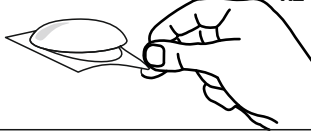
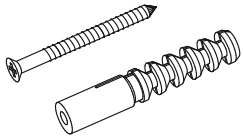
26 ▶

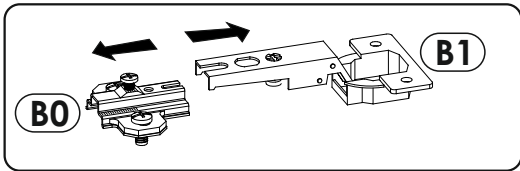




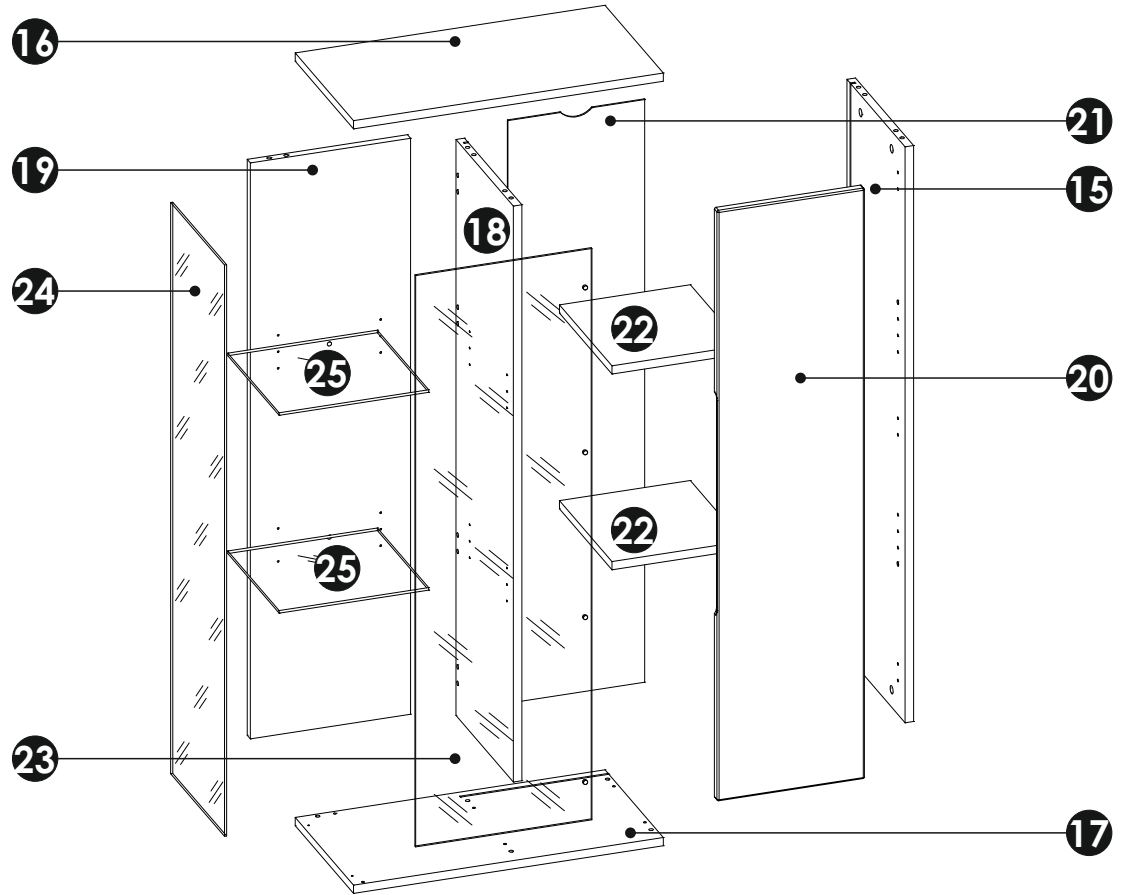
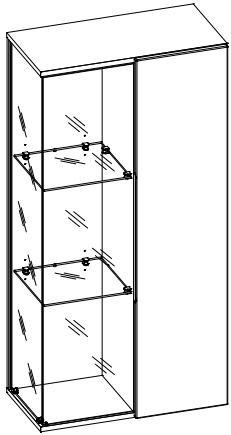
T3



A1 8 x 35 mm x14 	B0 + B1 x3 	C2 5 x 13 mm x18 
D2 x10 	D9 x12 	E0 Ø16 x8 
E1 15 x 12 mm x10 	F1 6 x 34 mm x10 	G2 7 x 60 mm x4 
I2 4 x 16 mm x5 	N14 4 x 30 mm x4 	P2 x2 Ø8 
P16 x4 	Q9 x1 	R3 x4 
R4 x8 	R8 x2 	S13 x1 Ø8 

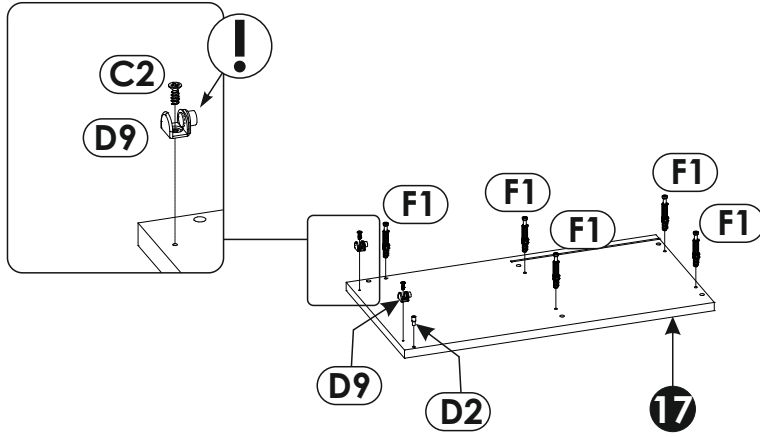
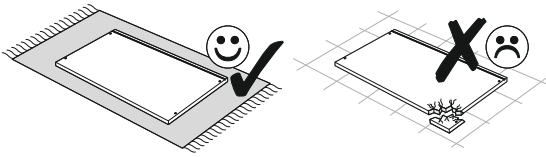


T3

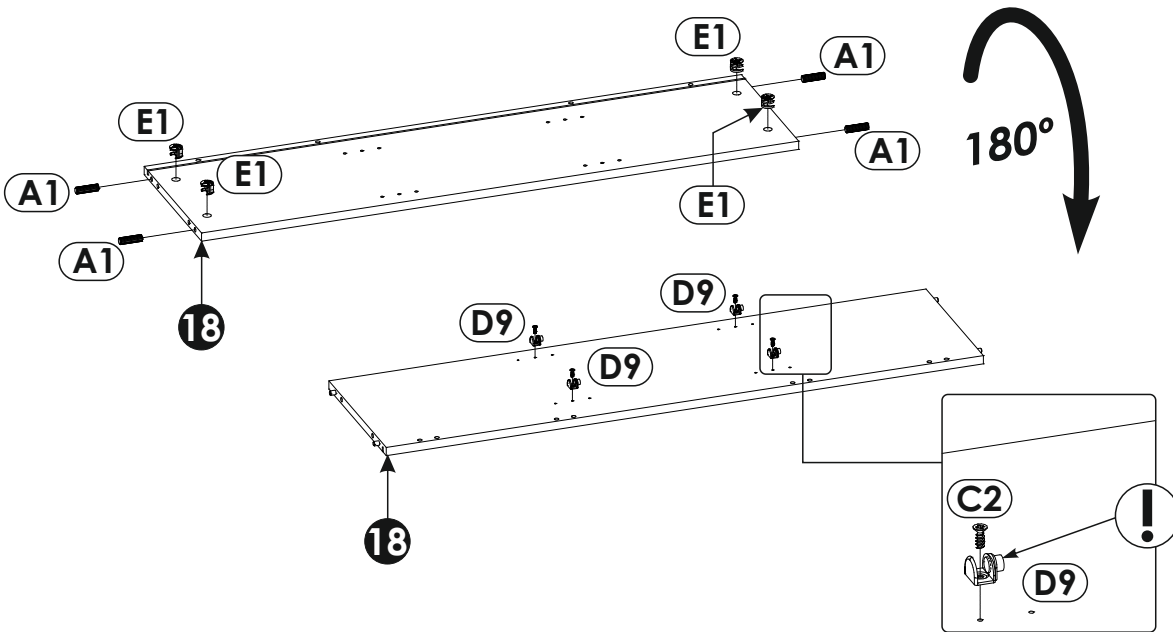
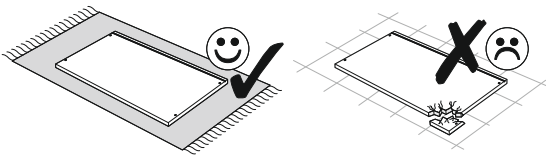


15	1118	299	16 x1	2/3
16	580	300	16 x1	2/3
17	580	300	16 x1	2/3
18	295	1118	16 x1	2/3
19	300	1118	16 x1	2/3
20	1146	276	16 x1	2/3
21	256	1131	3 x1	2/3
22	245	270	16 x2	2/3
23	1109	330	4 x1	3/3
24	1109	277	4 x1	2/3
25	280	264	5 x2	3/3

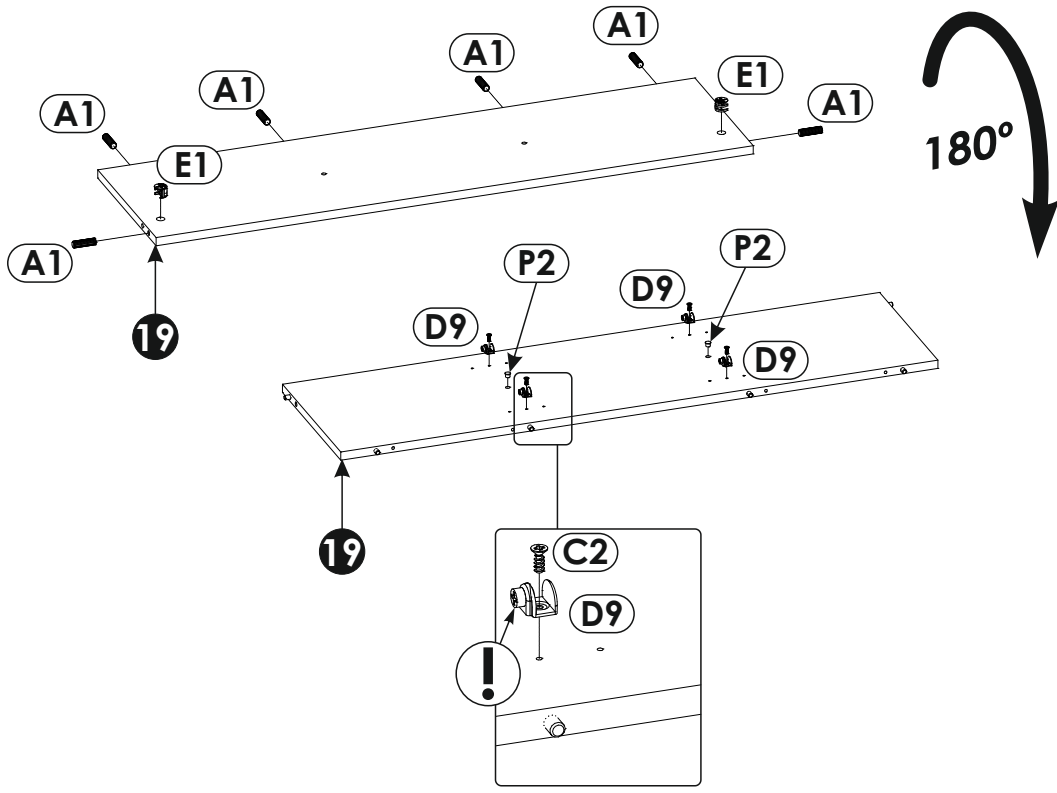
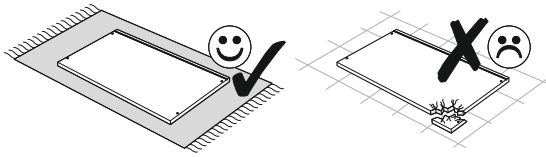
28▶



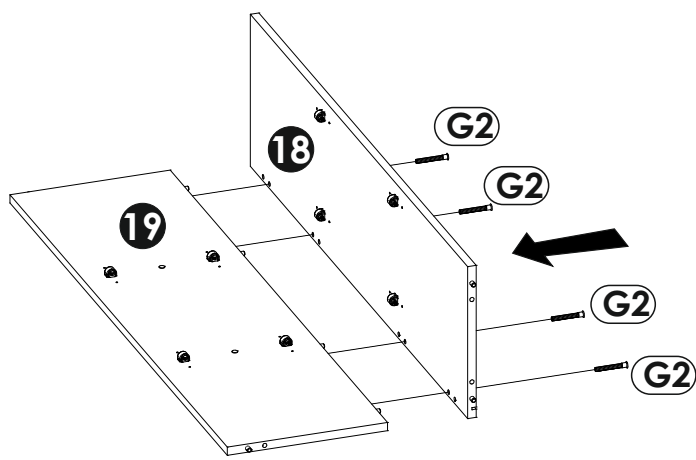
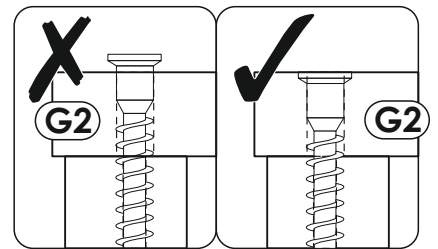
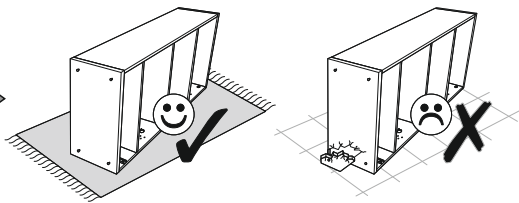
29▶



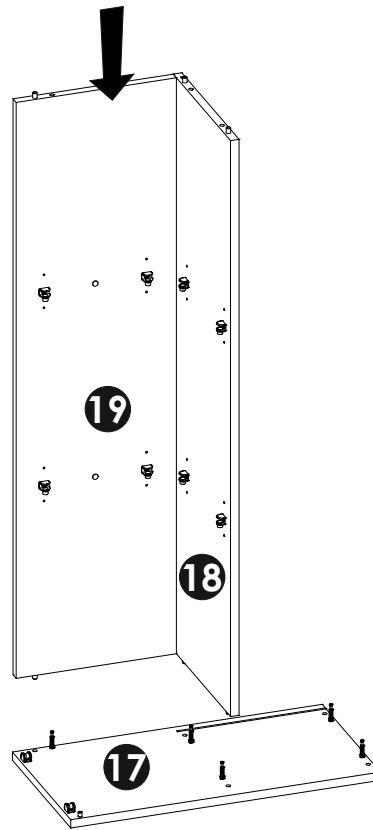
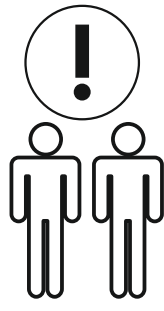
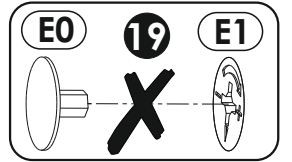
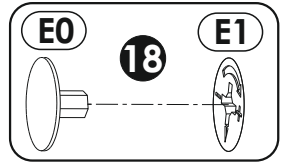
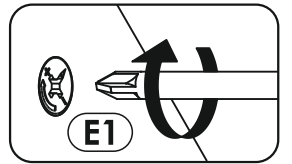
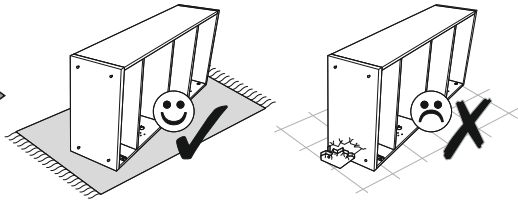
30 ▶



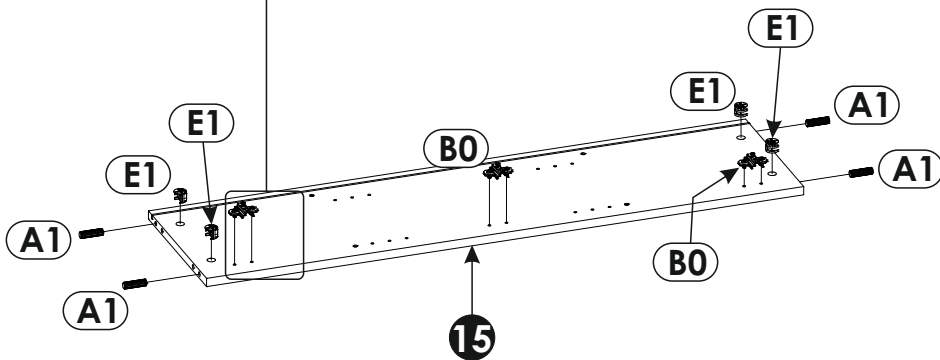
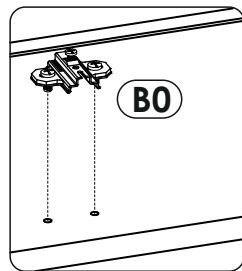
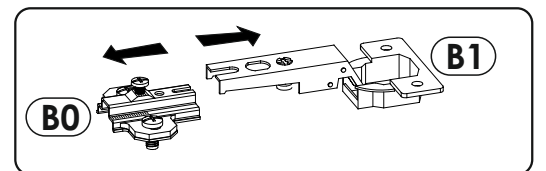
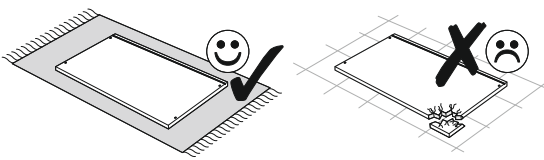
31 ▶



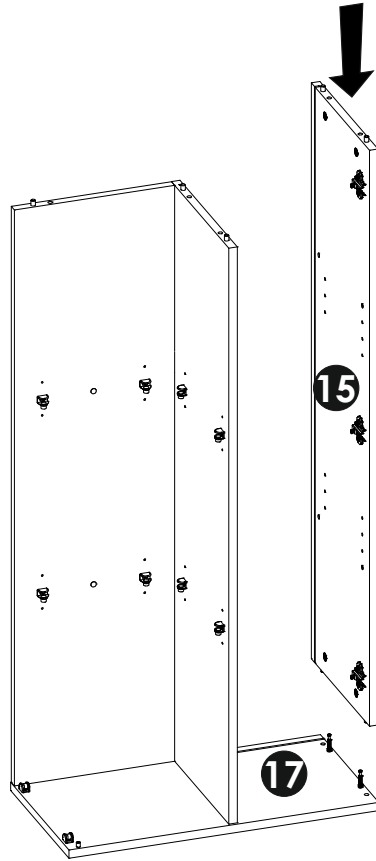
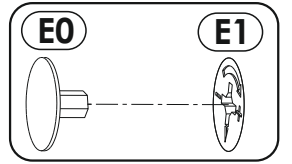
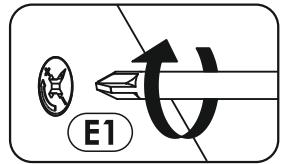
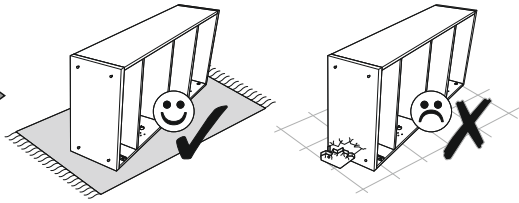
32 ▶



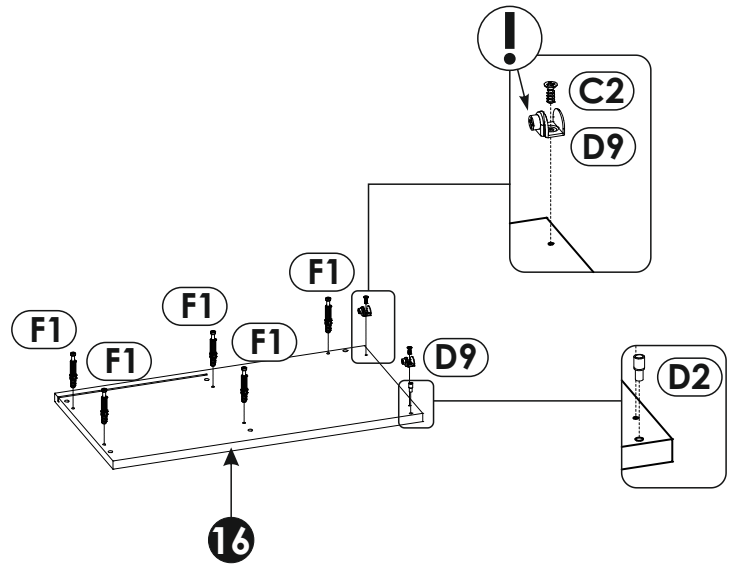
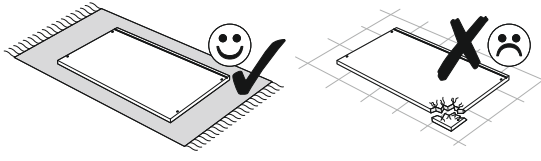
33 ▶



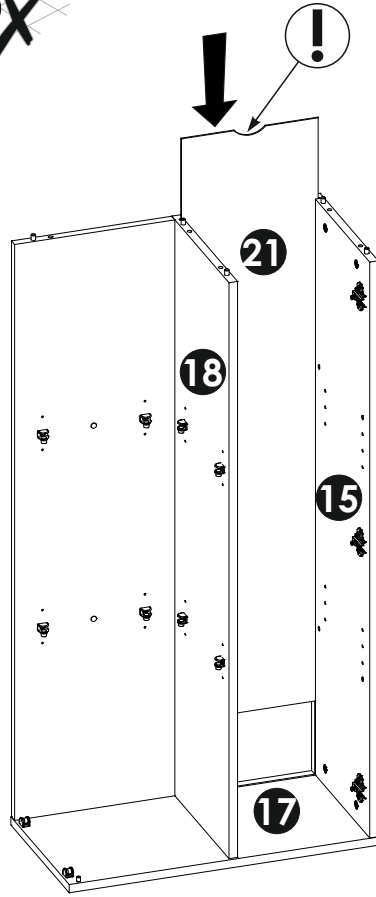
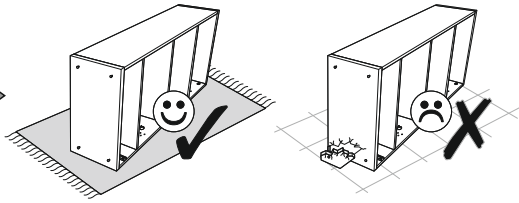
34 ▶



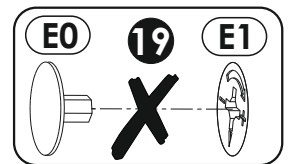
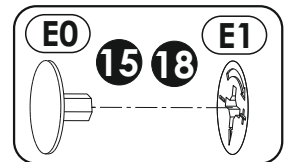
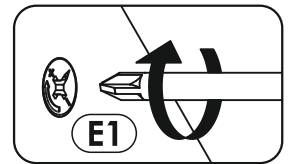
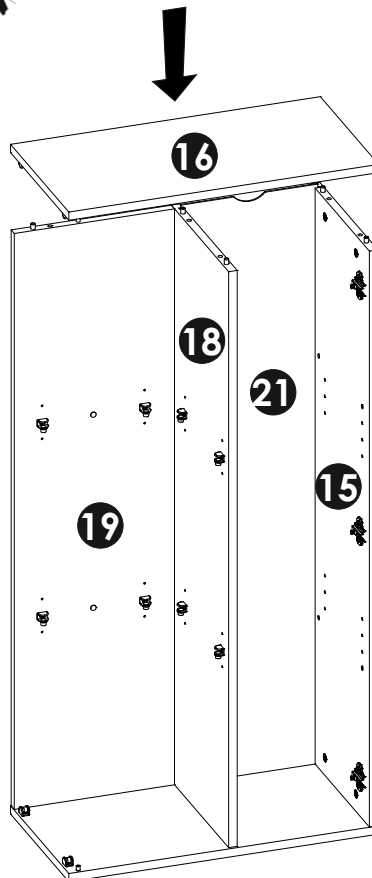
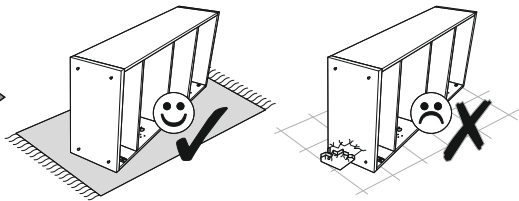
35 ▶



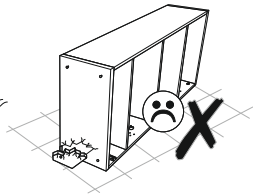
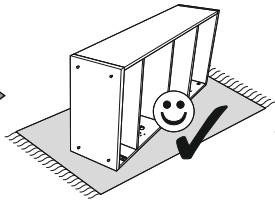
36 ▶



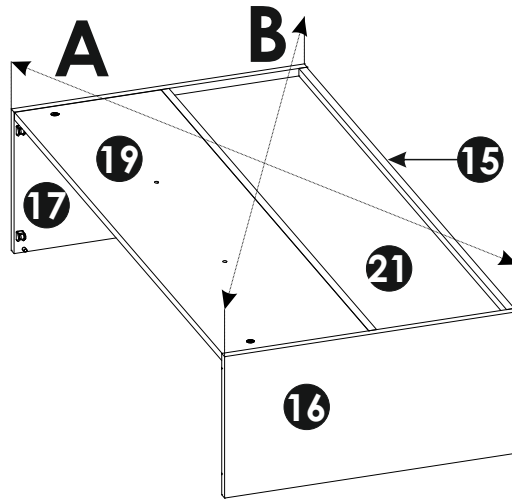
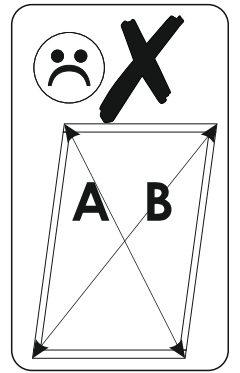
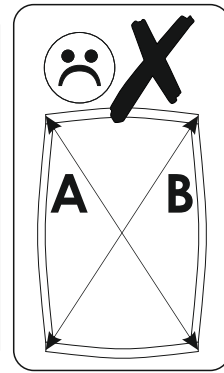
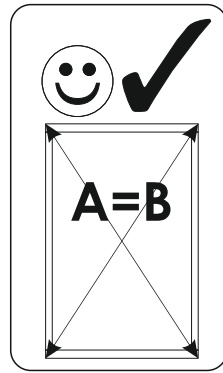
37 ▶



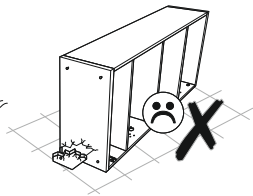
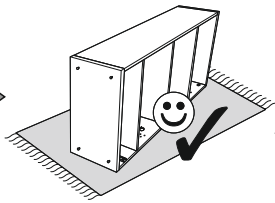
38 ▶



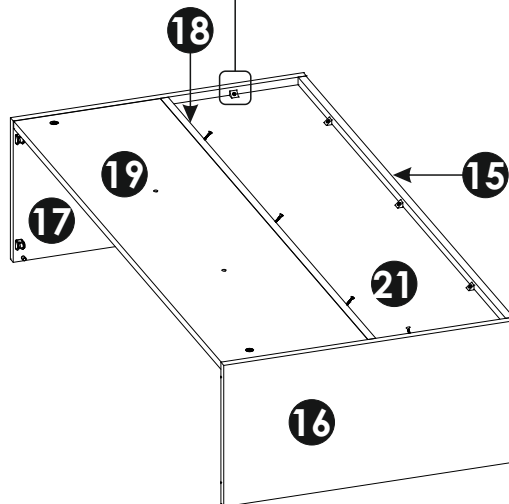
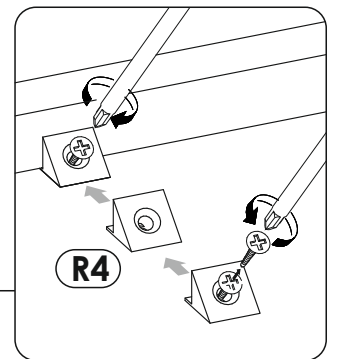
A=B

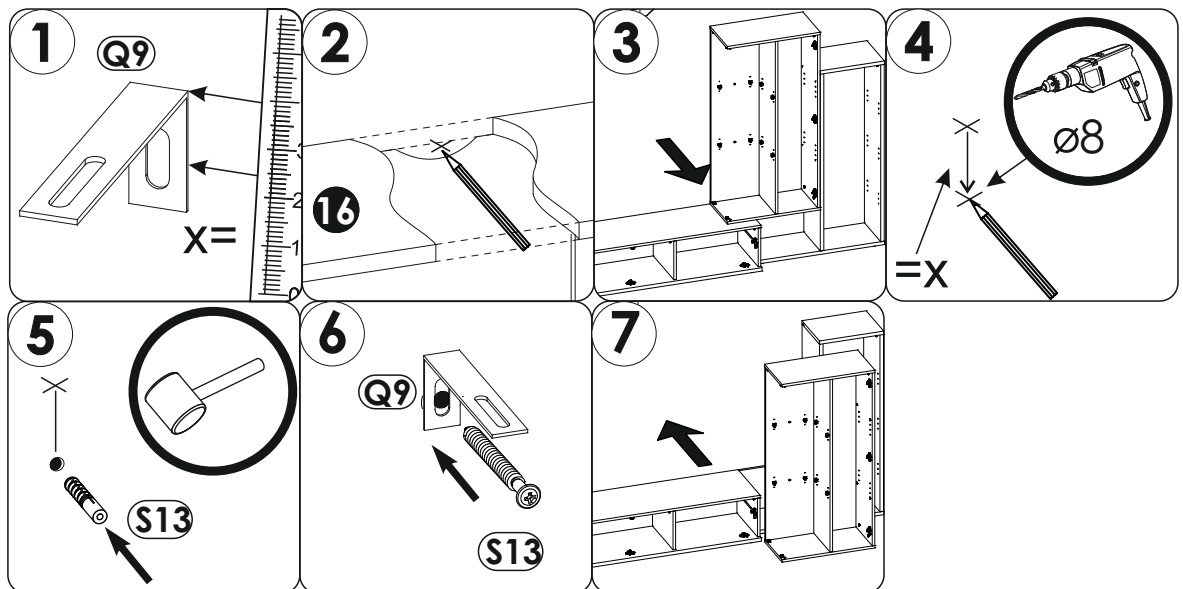
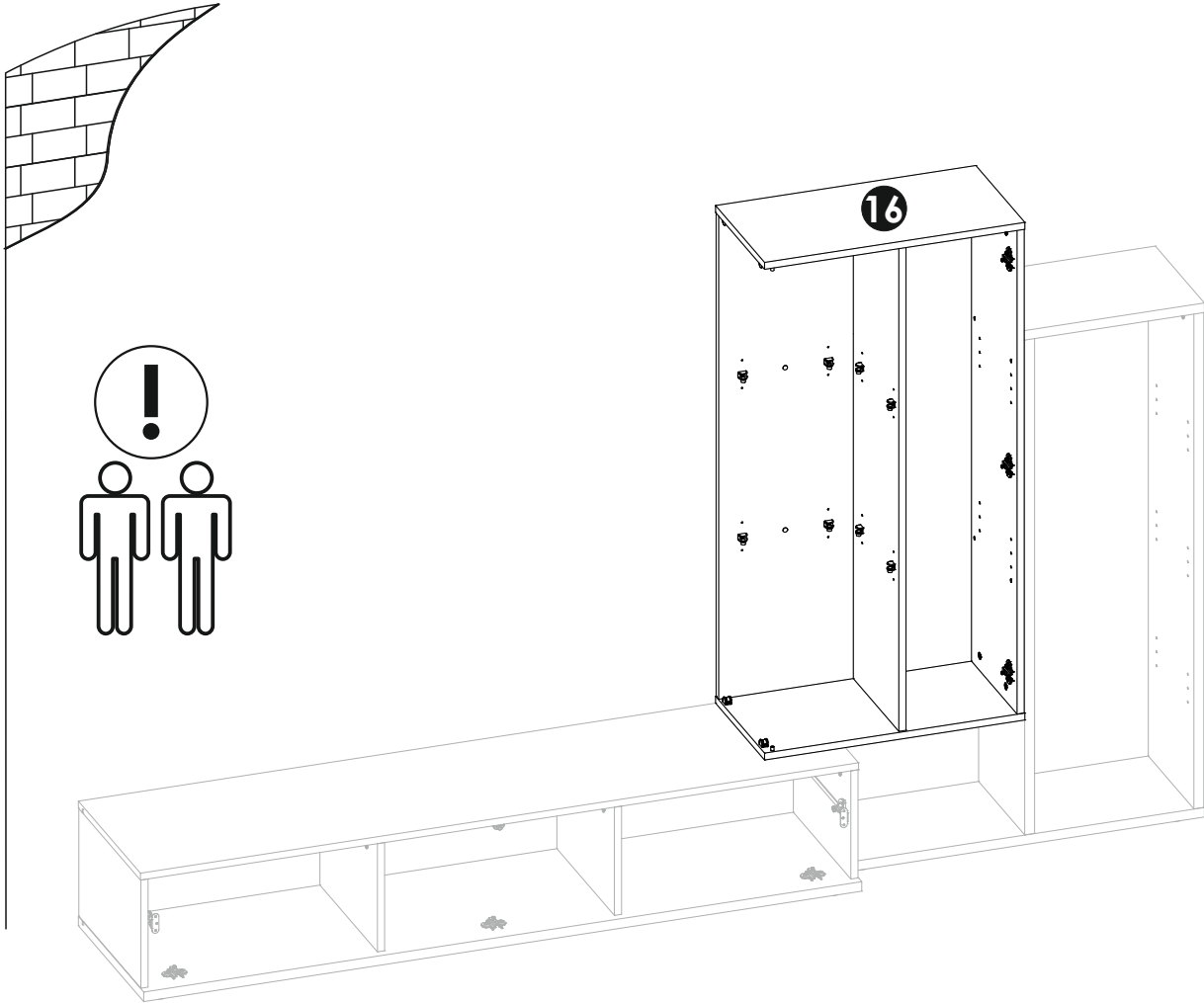
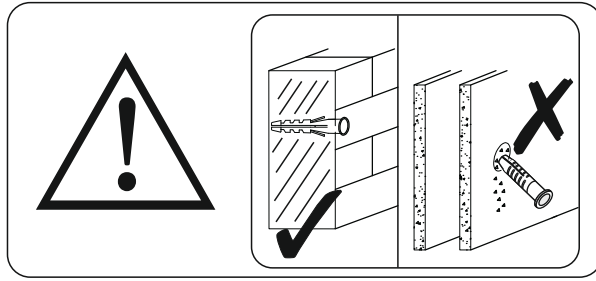


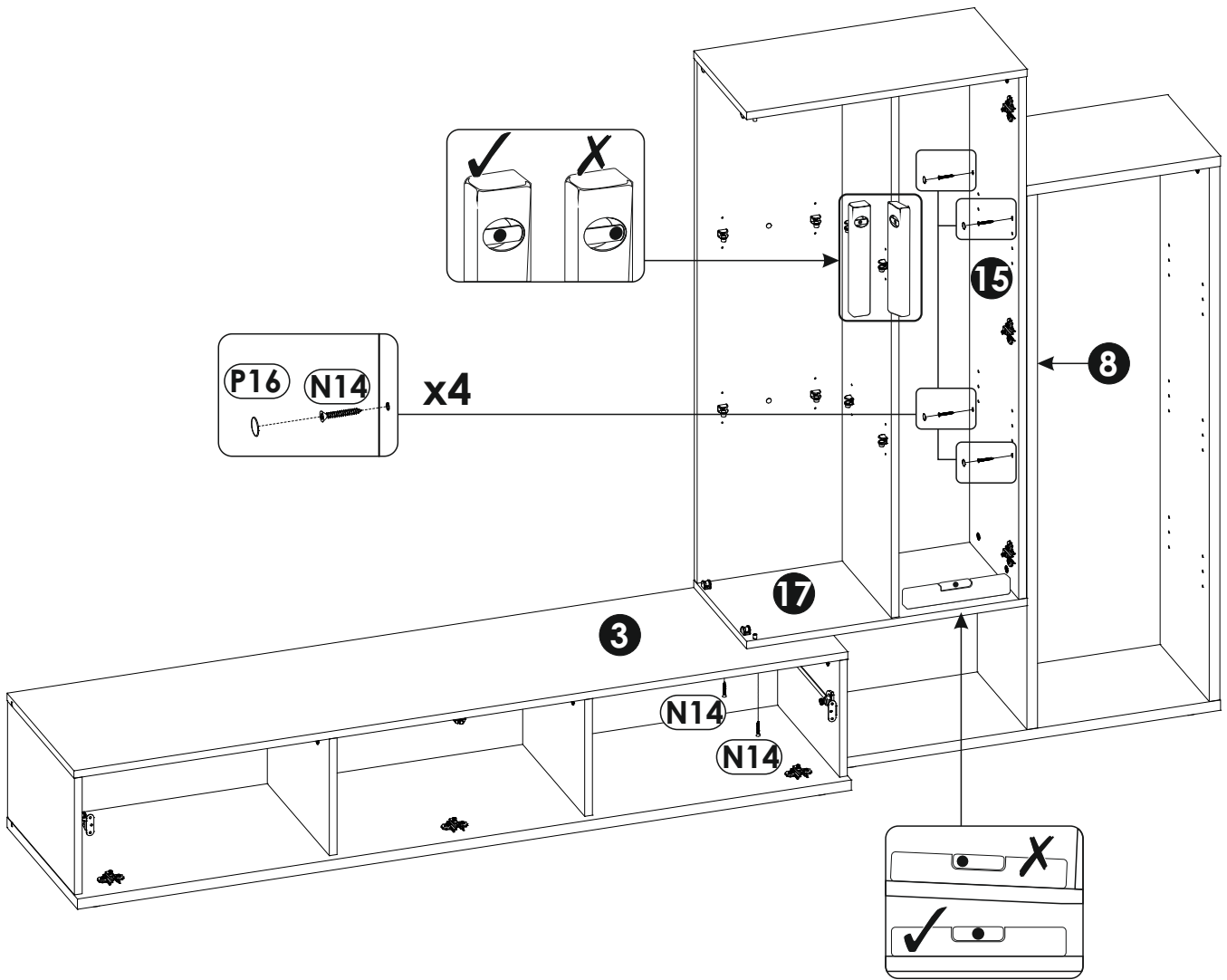
39 ▶



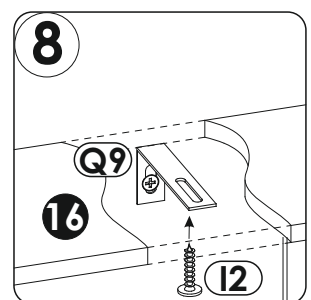
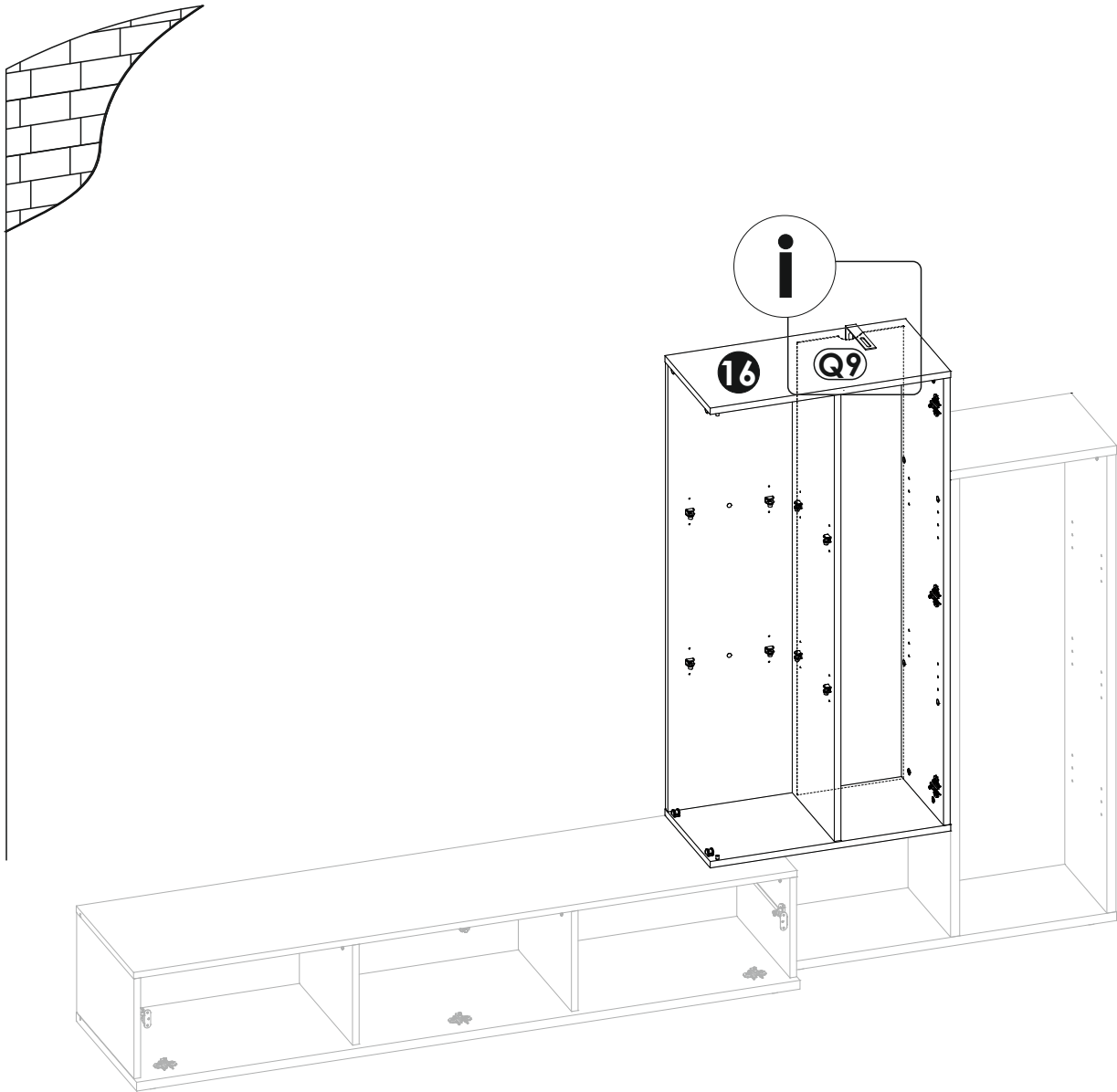
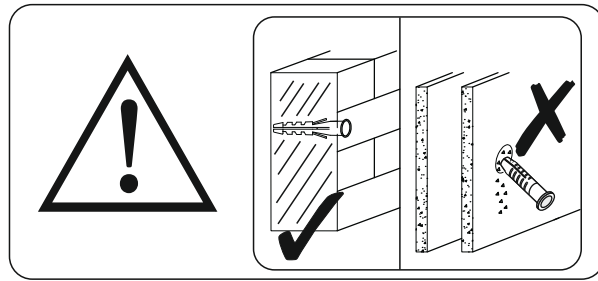
x8



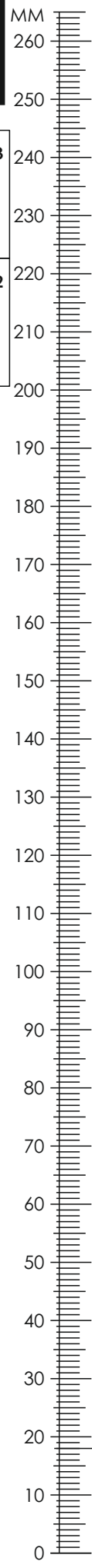


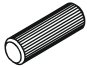




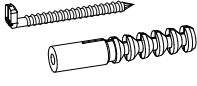


42 ▶



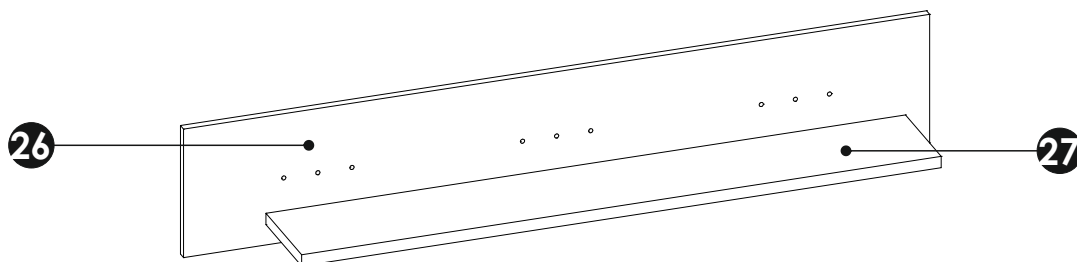
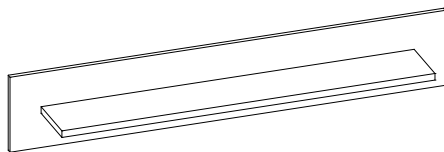
T4



A1 8 x 35 mm x6 	C2 5 x 13 mm x4 	G2 7 x 60 mm x3 
P1  x2	R7  x2	Y2  x2 Ø10

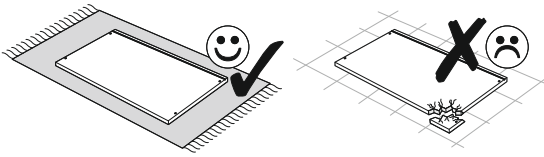


T4

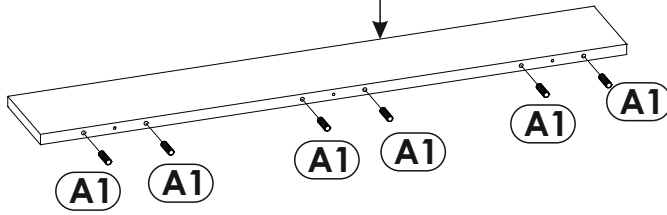


26	1400	250	16 x1	1/3
27	1200	184	22 x1	1/3

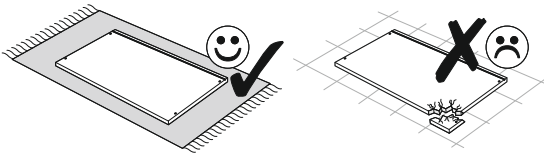
43▶



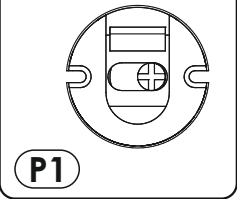
27



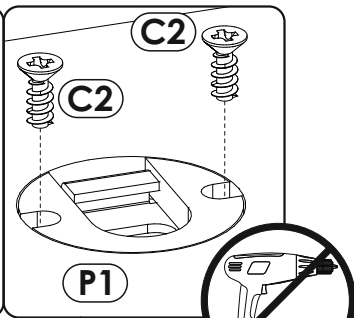
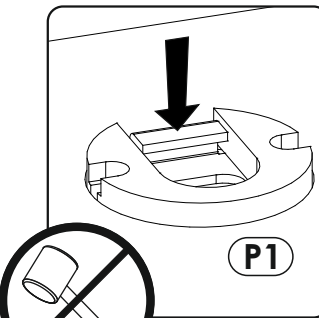
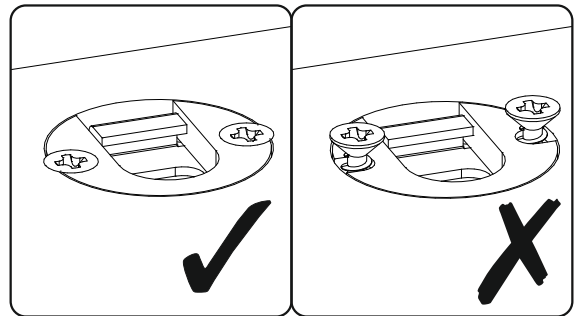
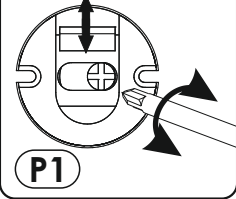
44▶



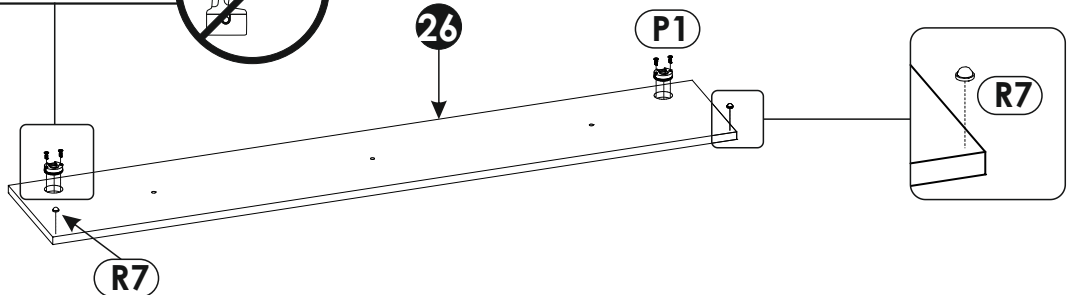
1



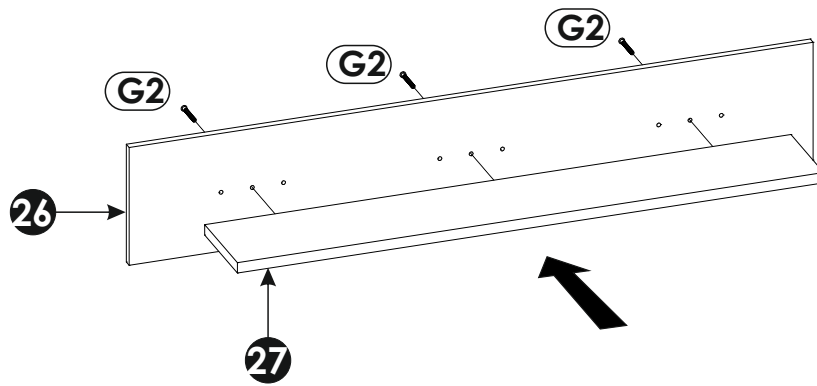
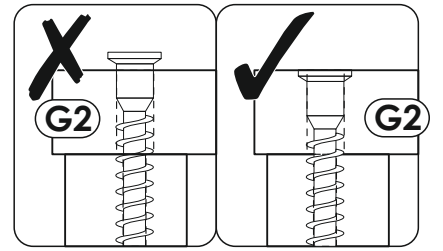
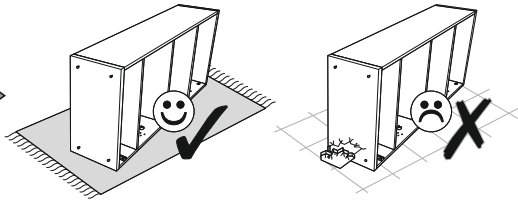
2

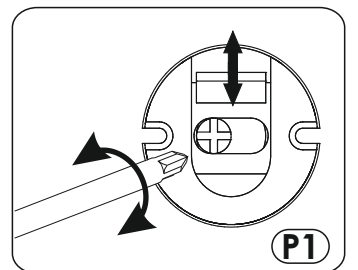
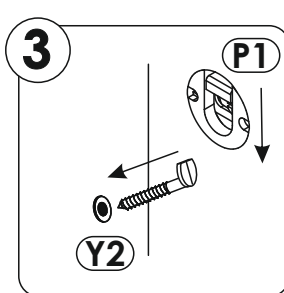
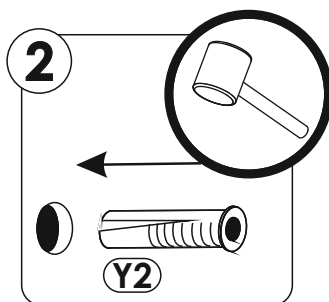
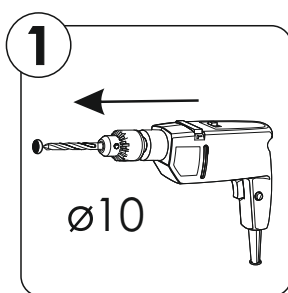
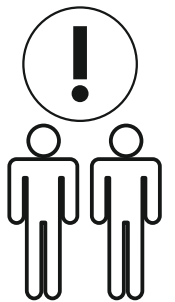
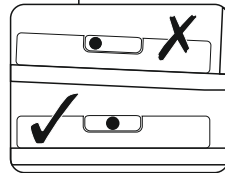
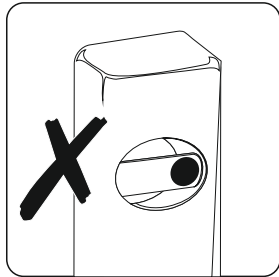
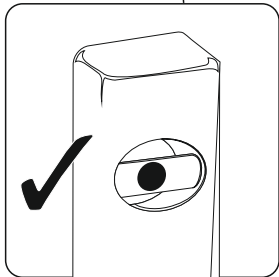
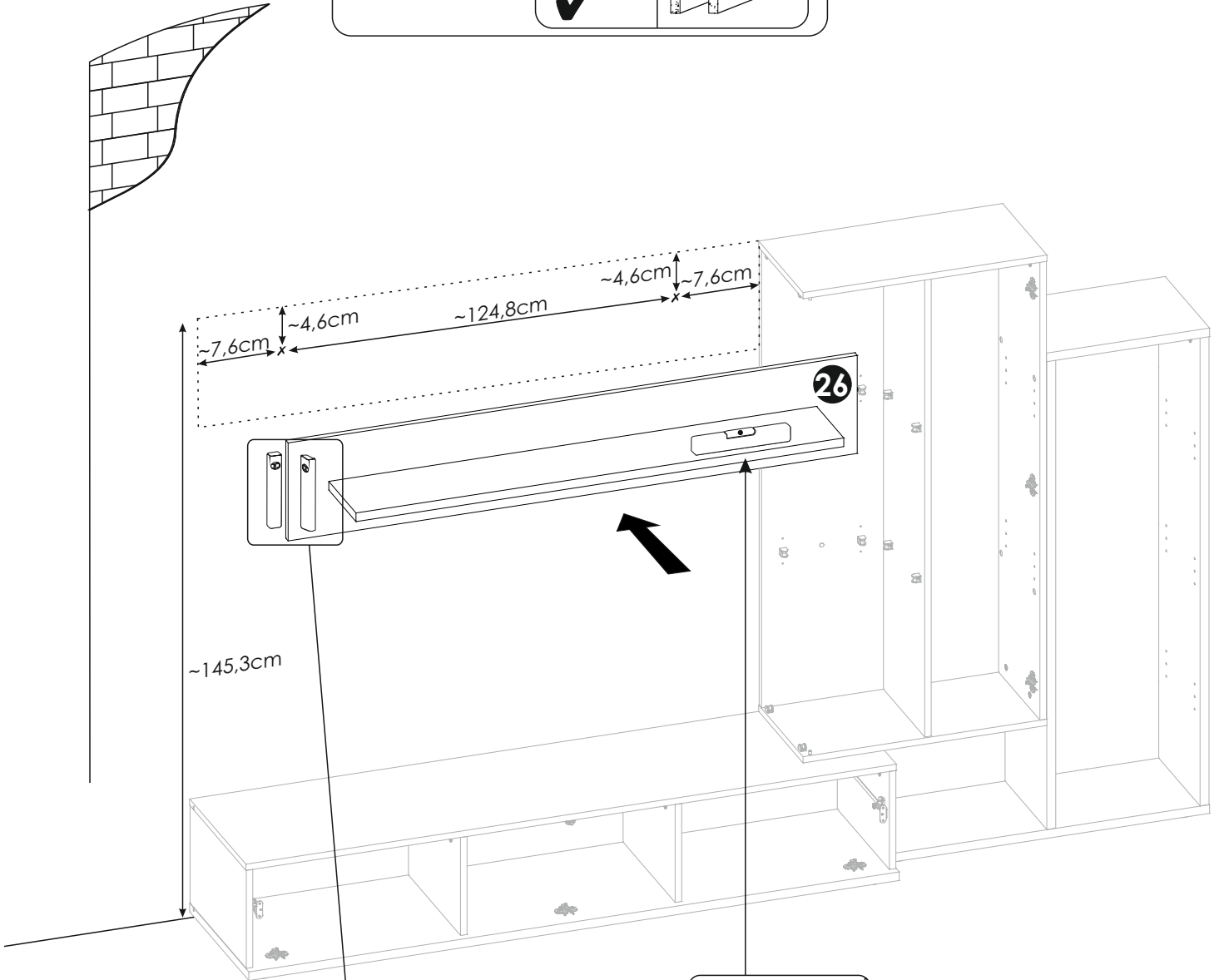
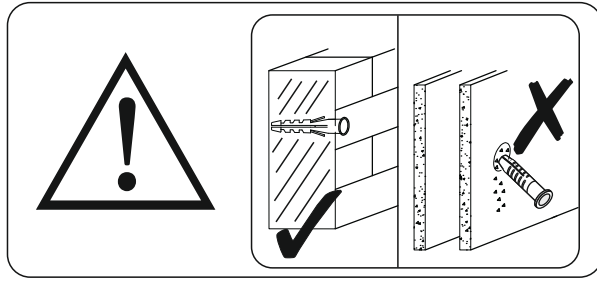


26

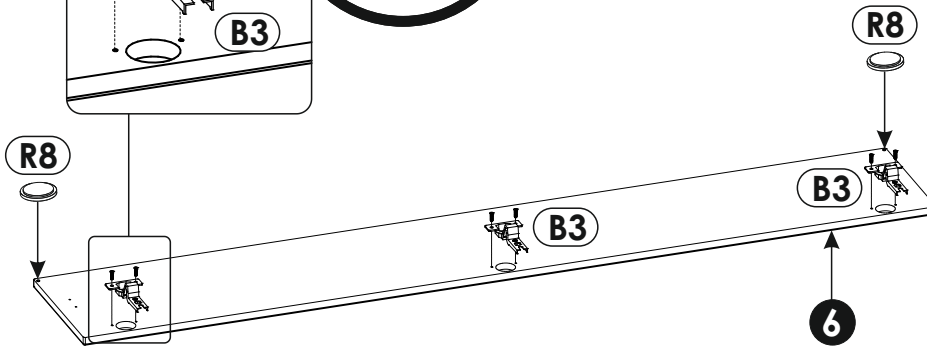
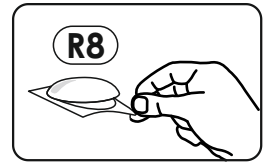
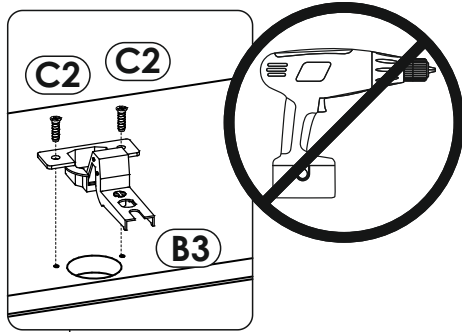
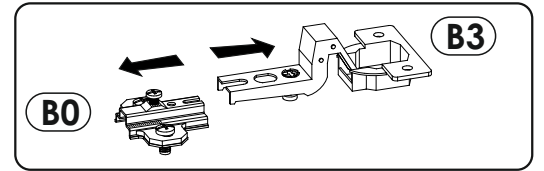
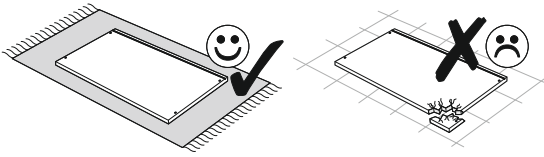


45 ▶

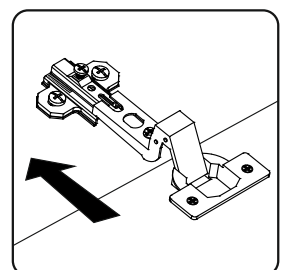
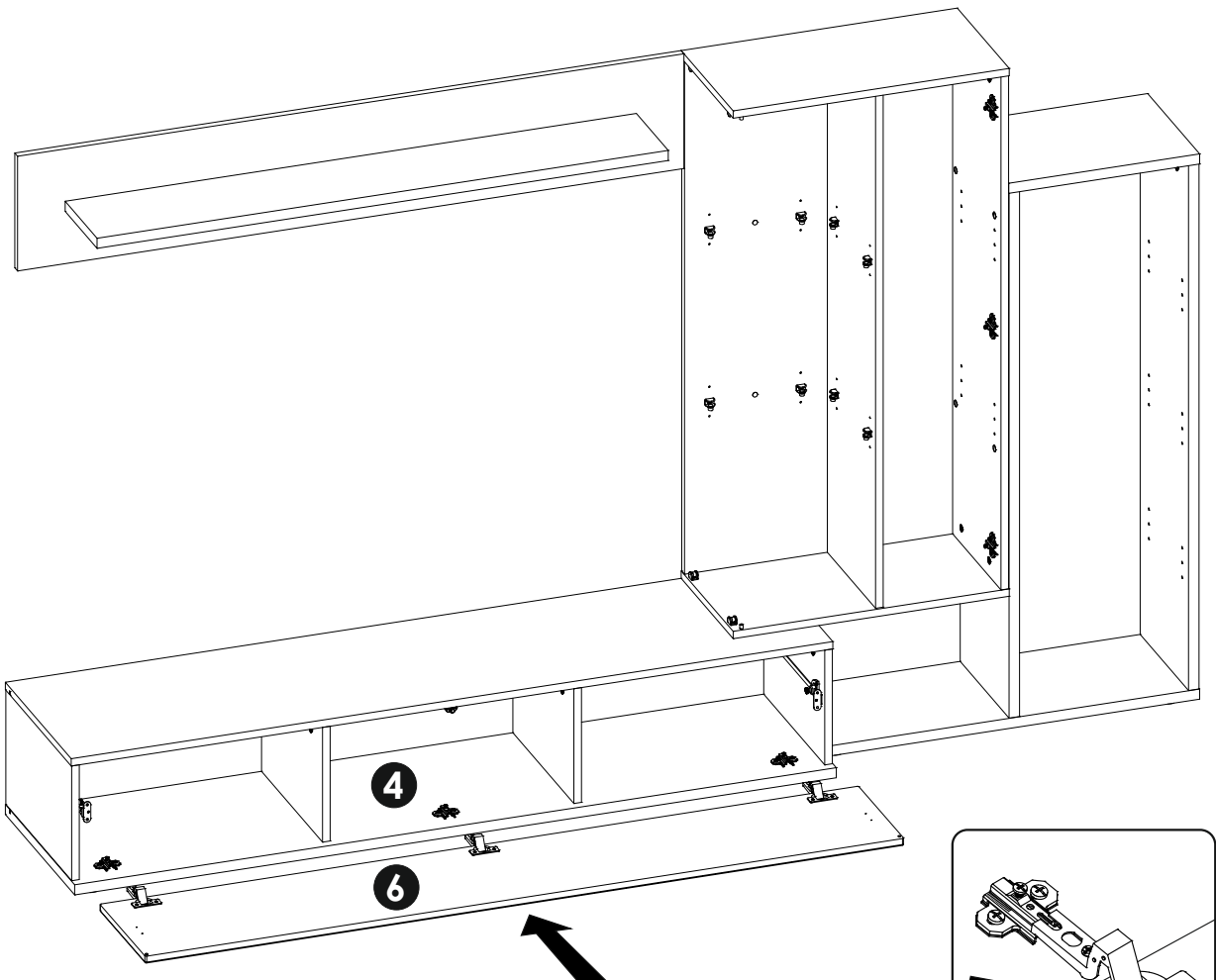


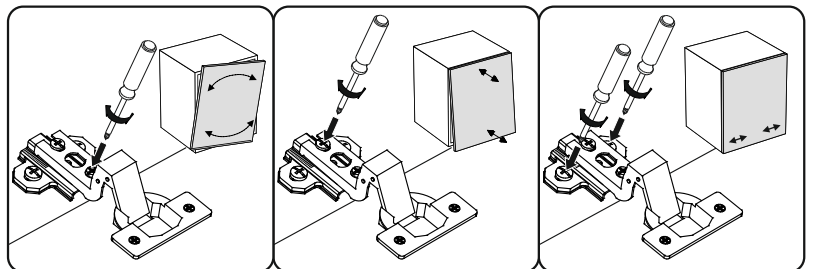
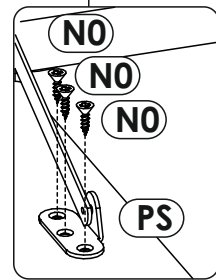
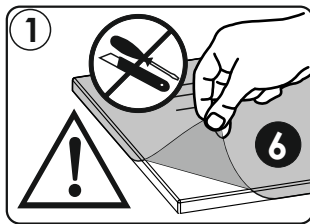
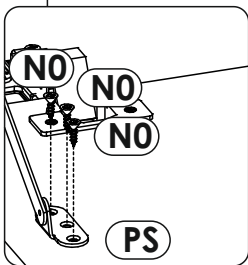
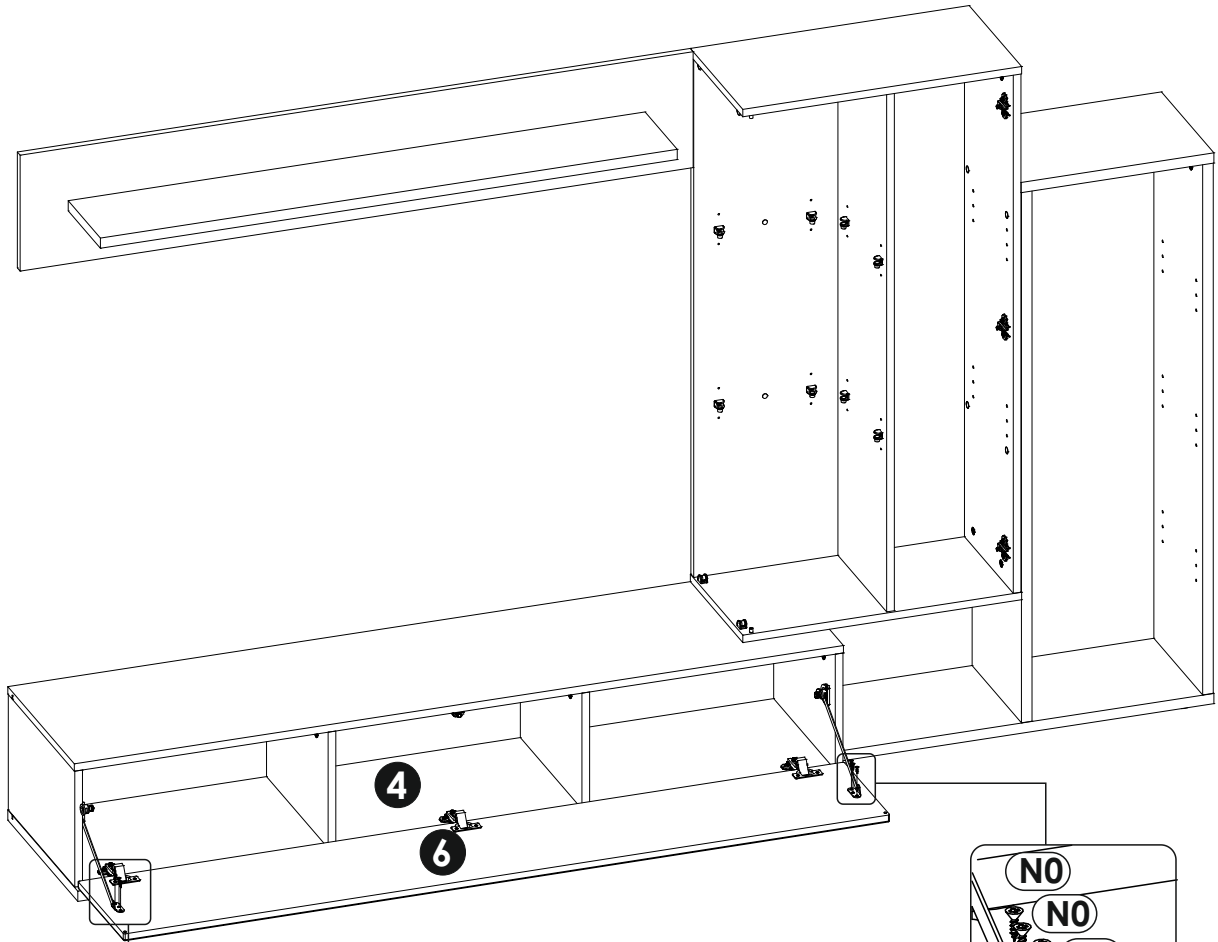


47 ▶

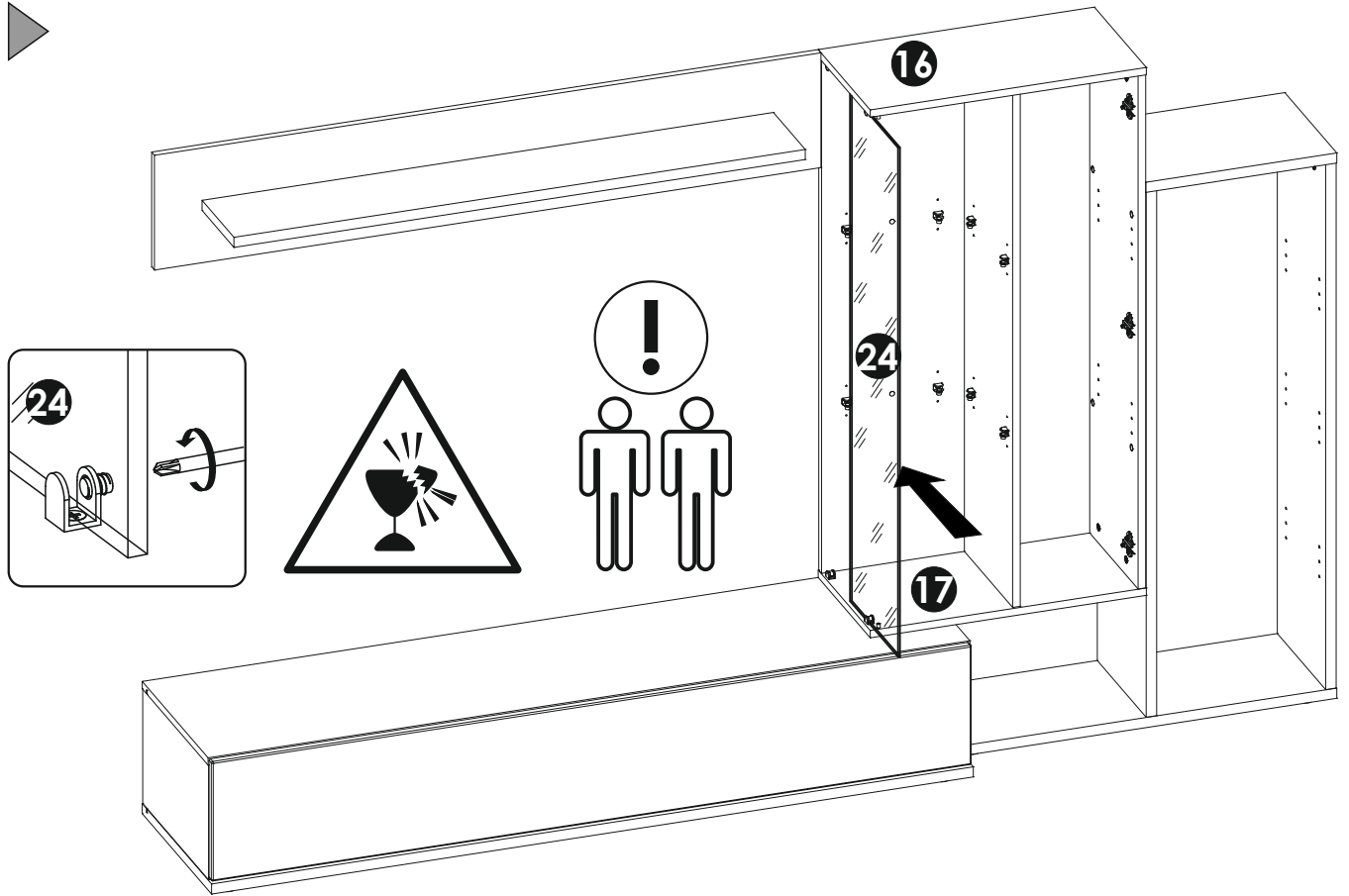


48 ▶

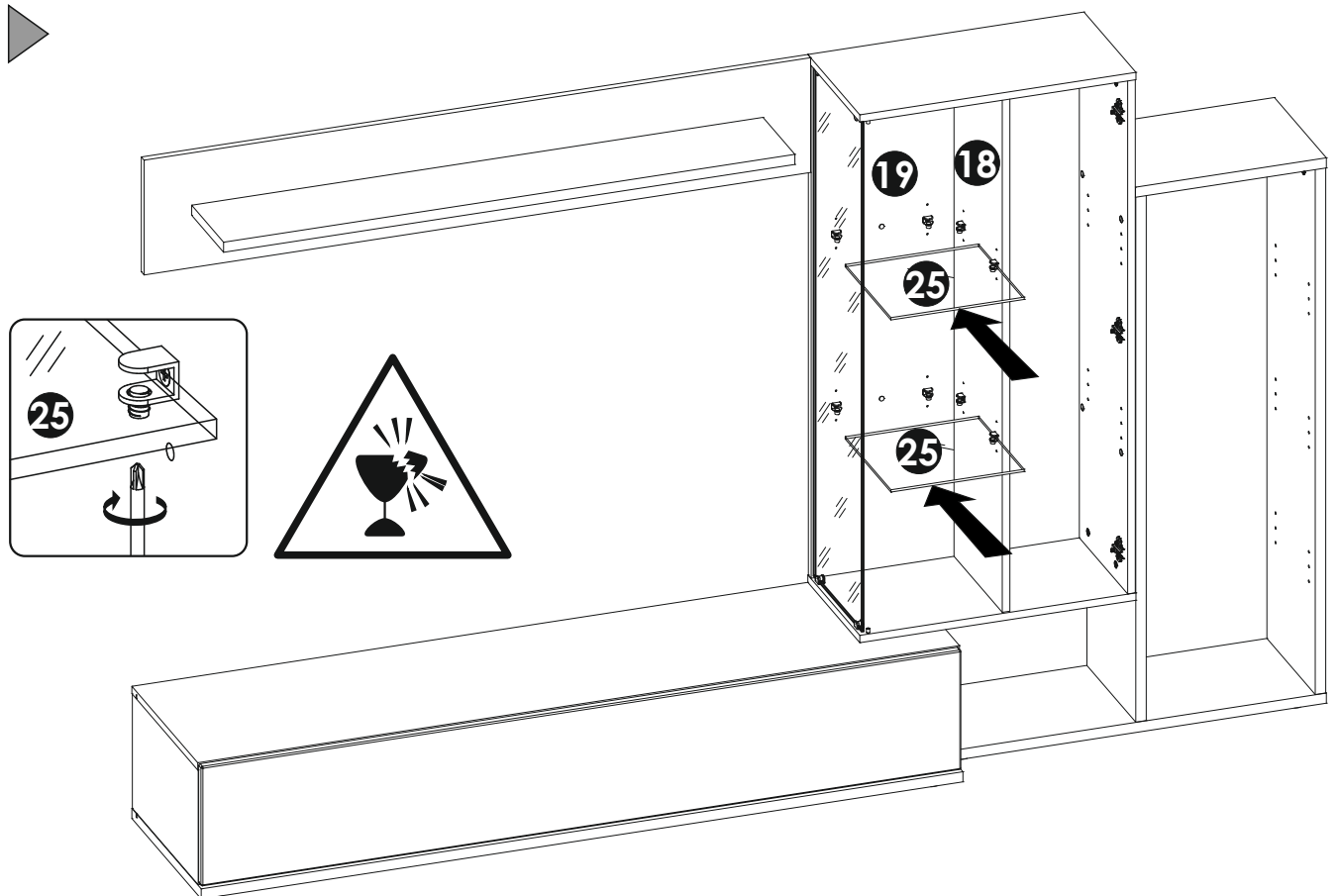




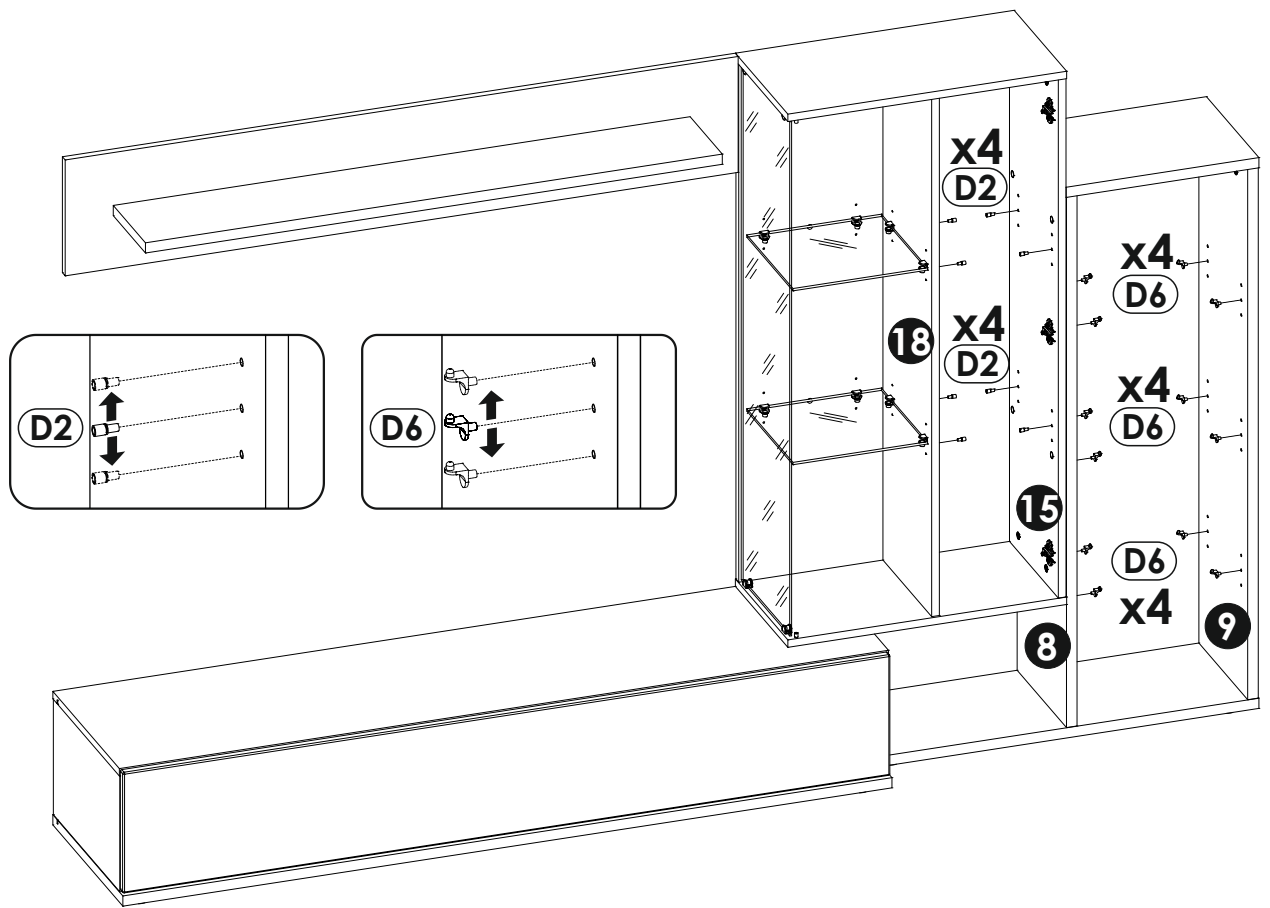
50 ▶



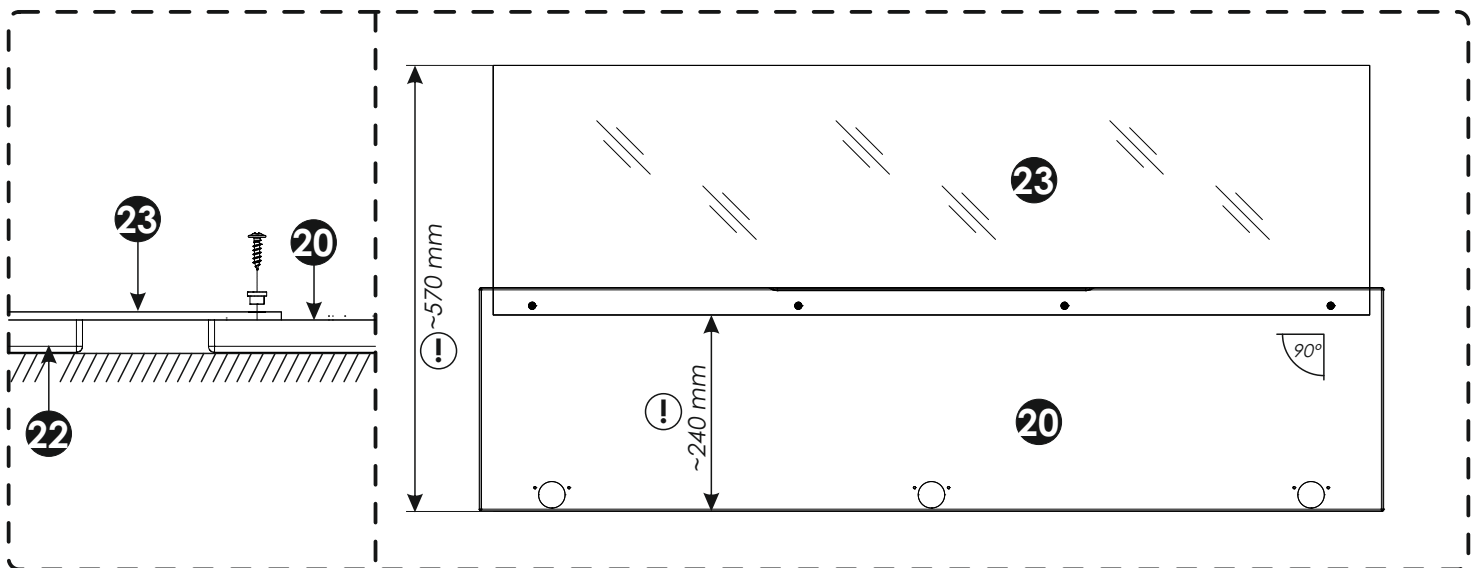
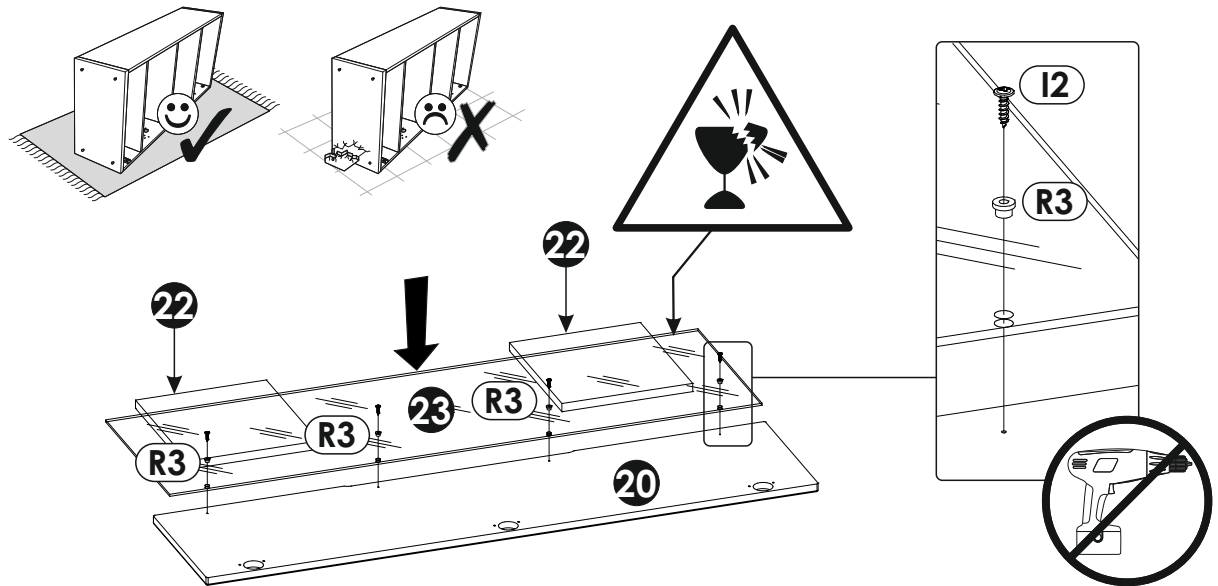
51 ▶



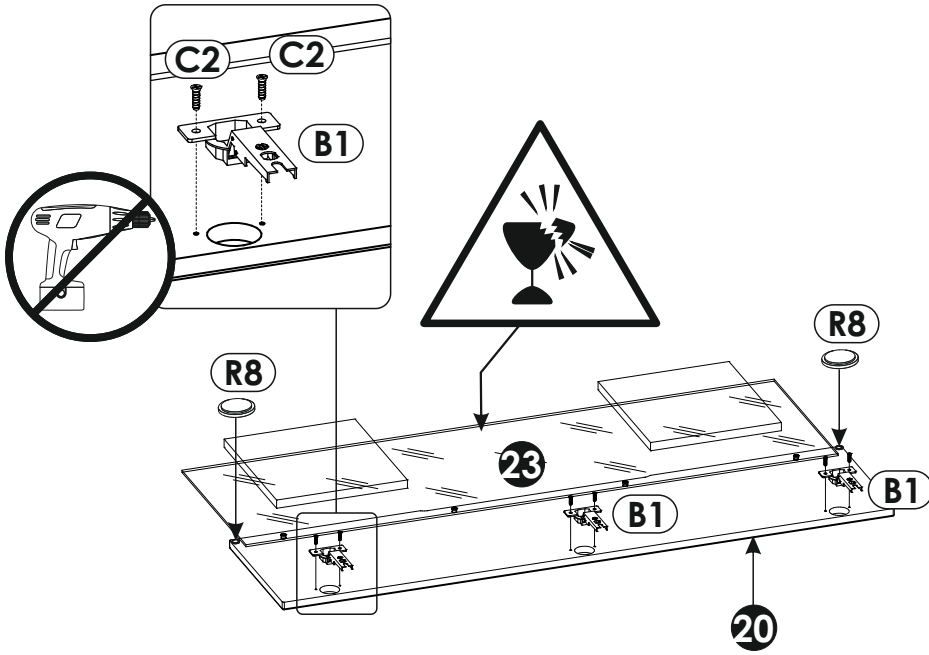
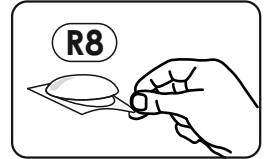
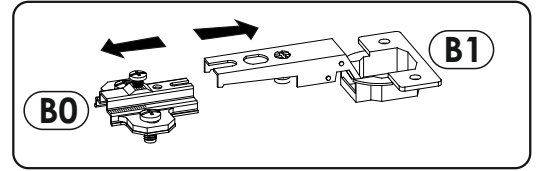
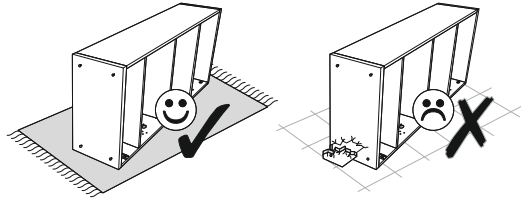
52 ▶



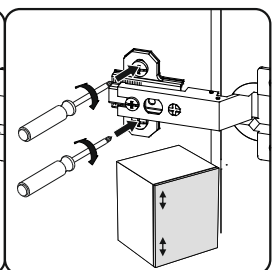
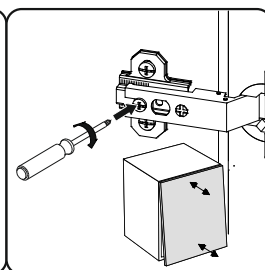
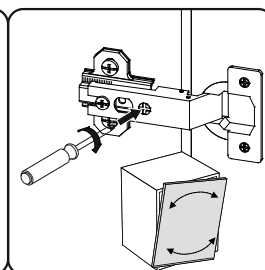
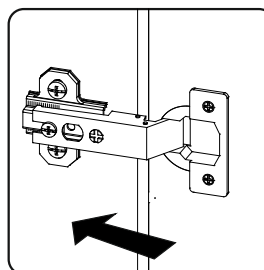
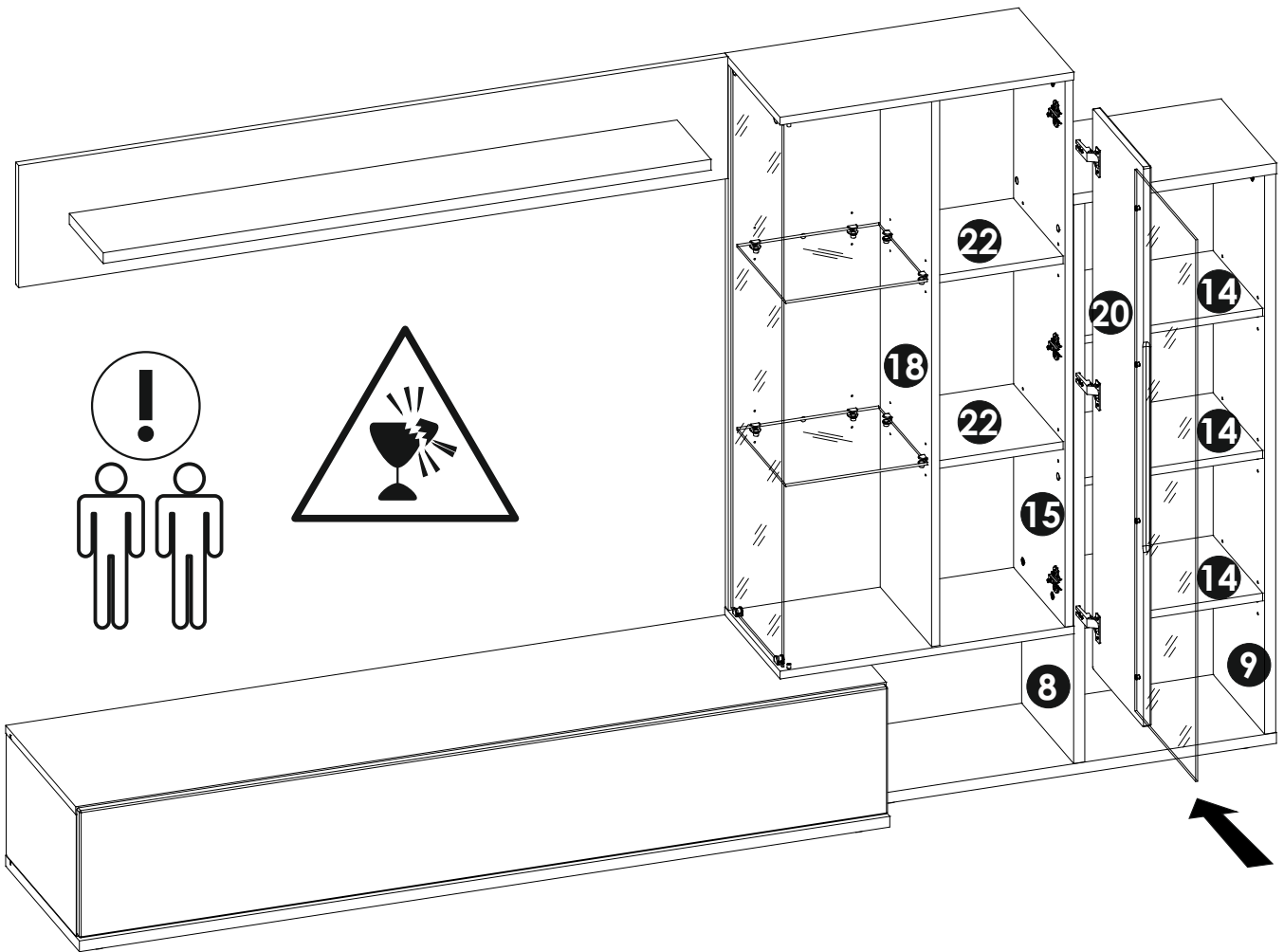
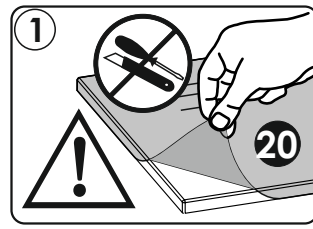
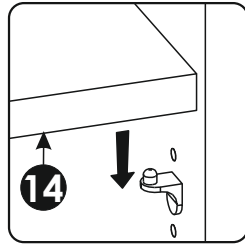
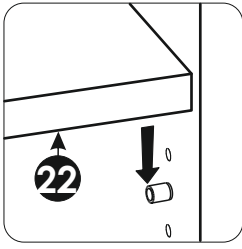
53 ▶



54▶▶



55 ▶



56 ▶

