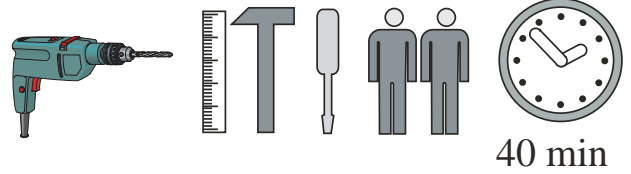
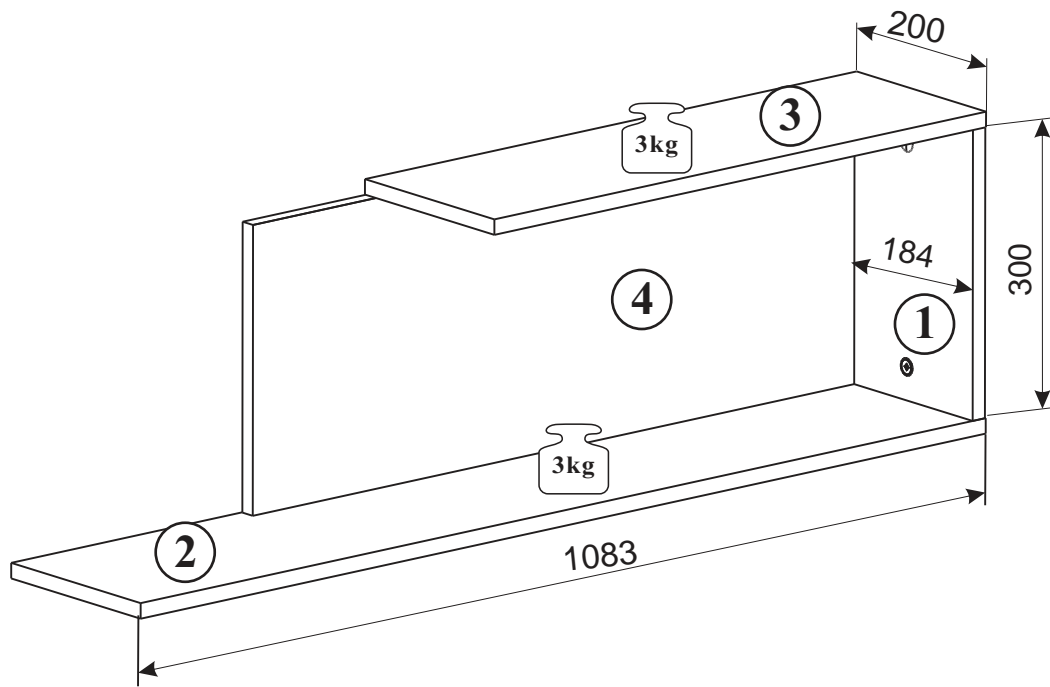
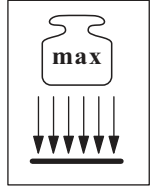


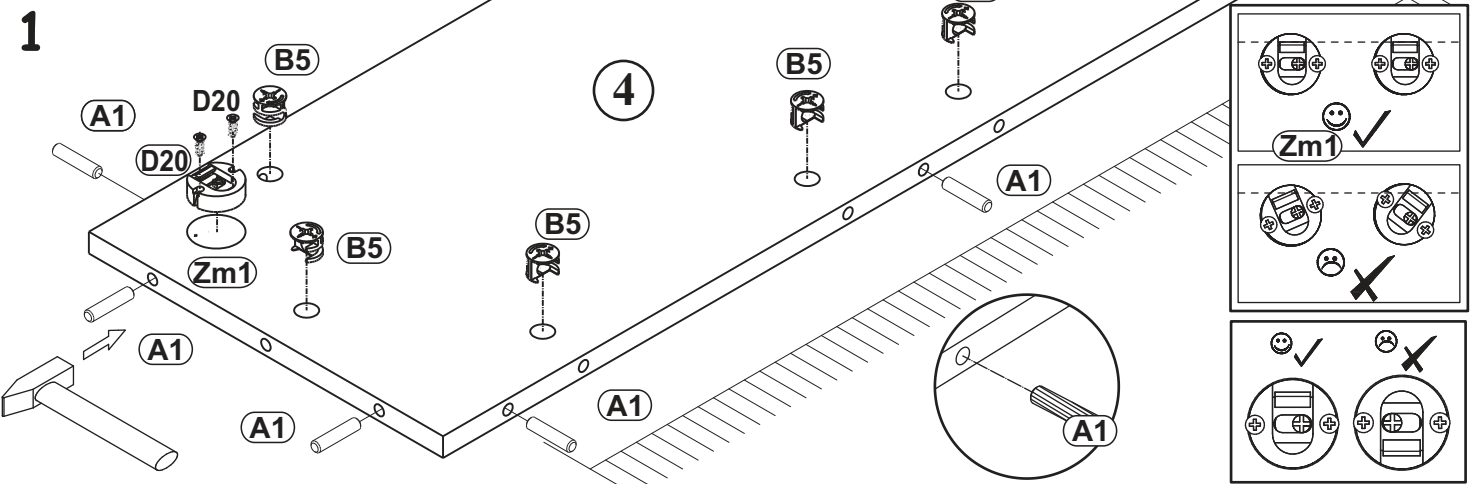
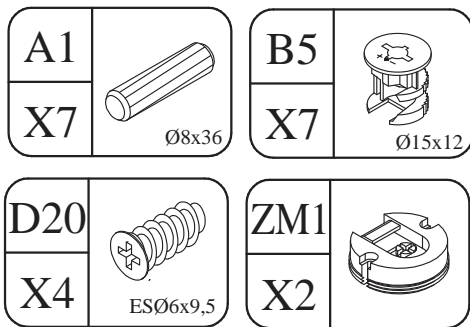
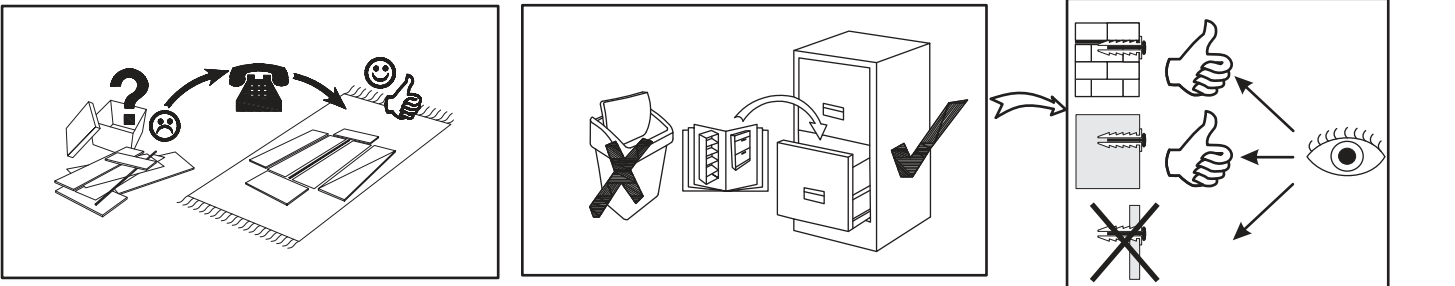
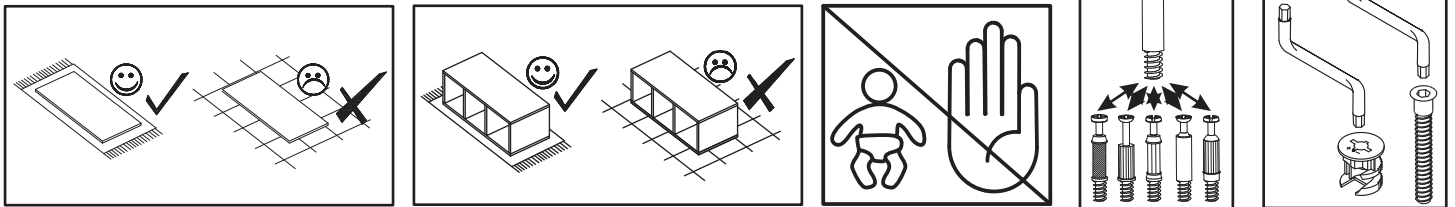
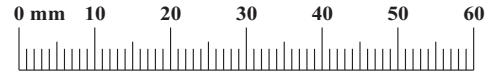
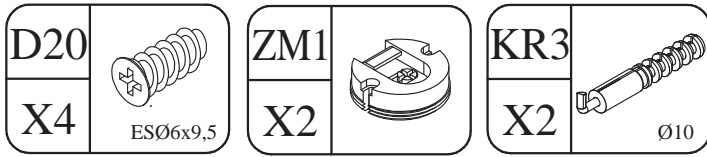
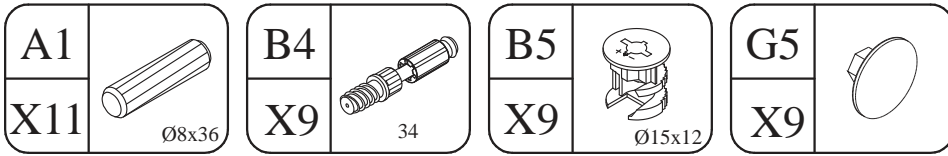
# MAZE - \_\_MZ1-2 TYP 70



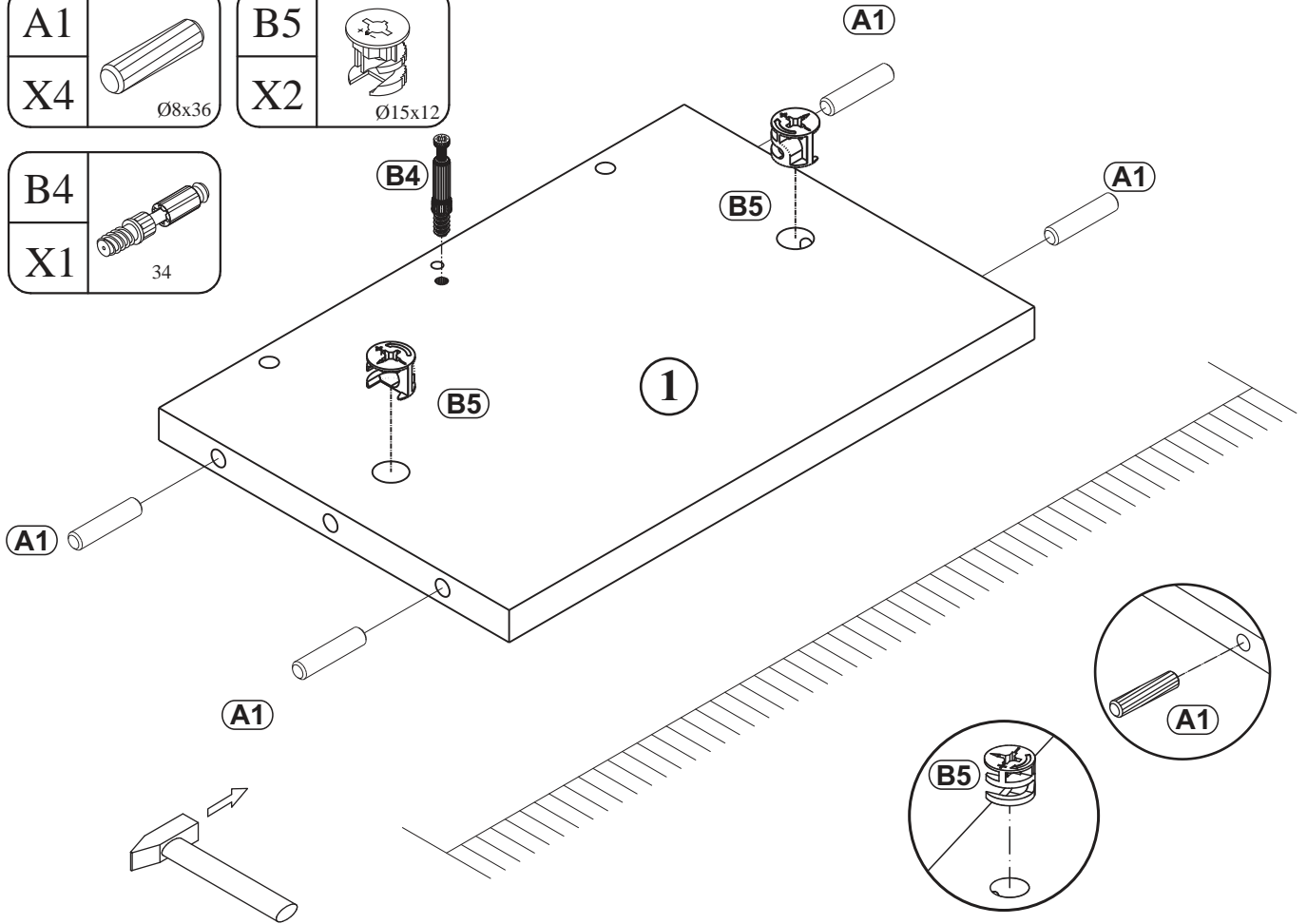
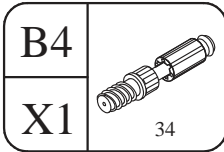
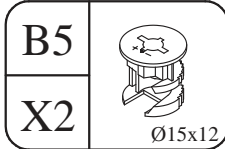
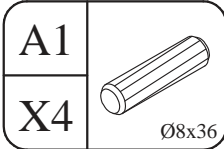
40 min

NO	DIM.			COL.-NO	QTY
1	300	200	16	1/1	1
2	1100	200	16	1/1	1
3	640	200	16	1/1	1
4	783	300	16	1/1	1

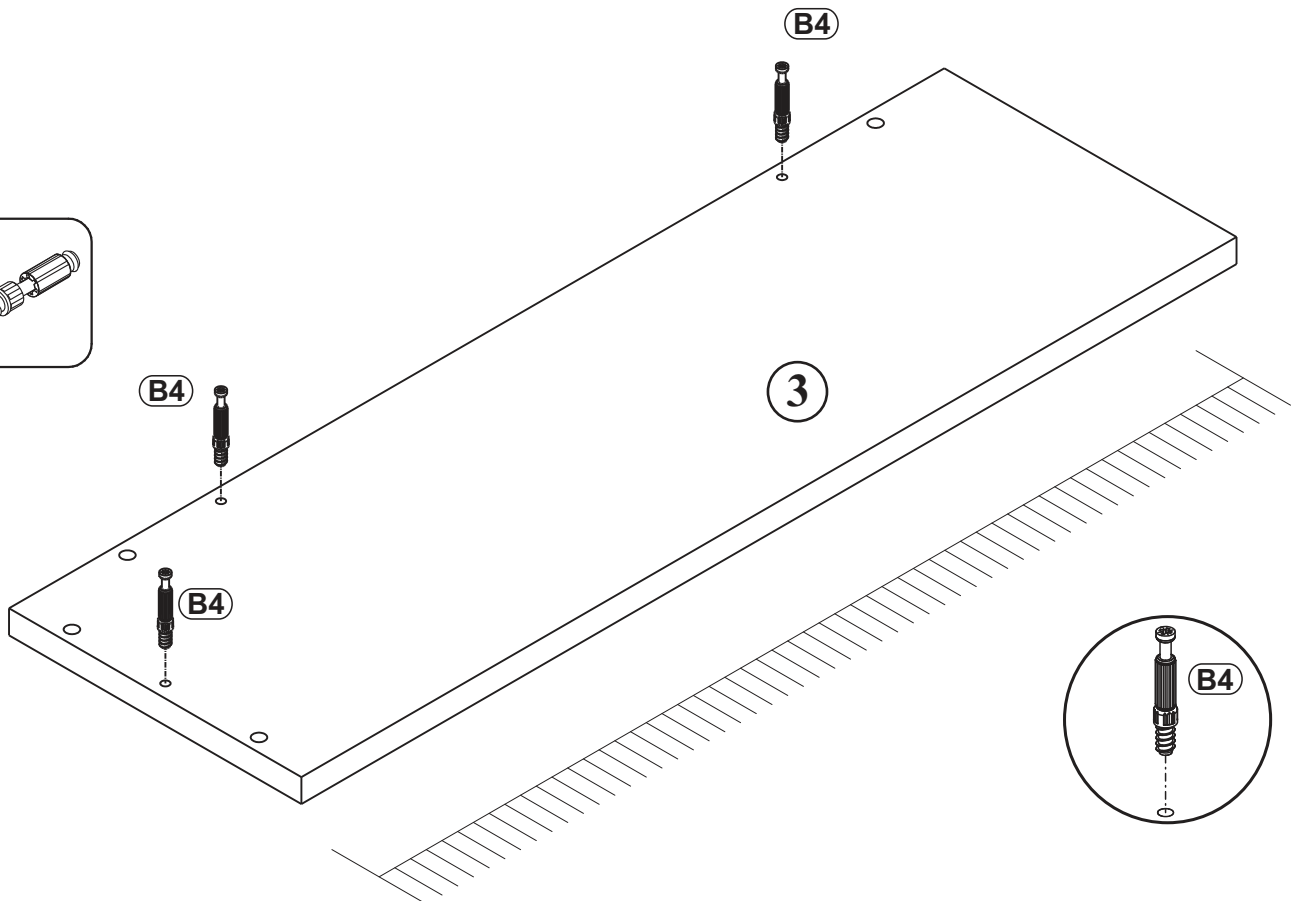
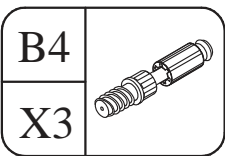
MAZE - \_\_MZ1-2 TYP 70



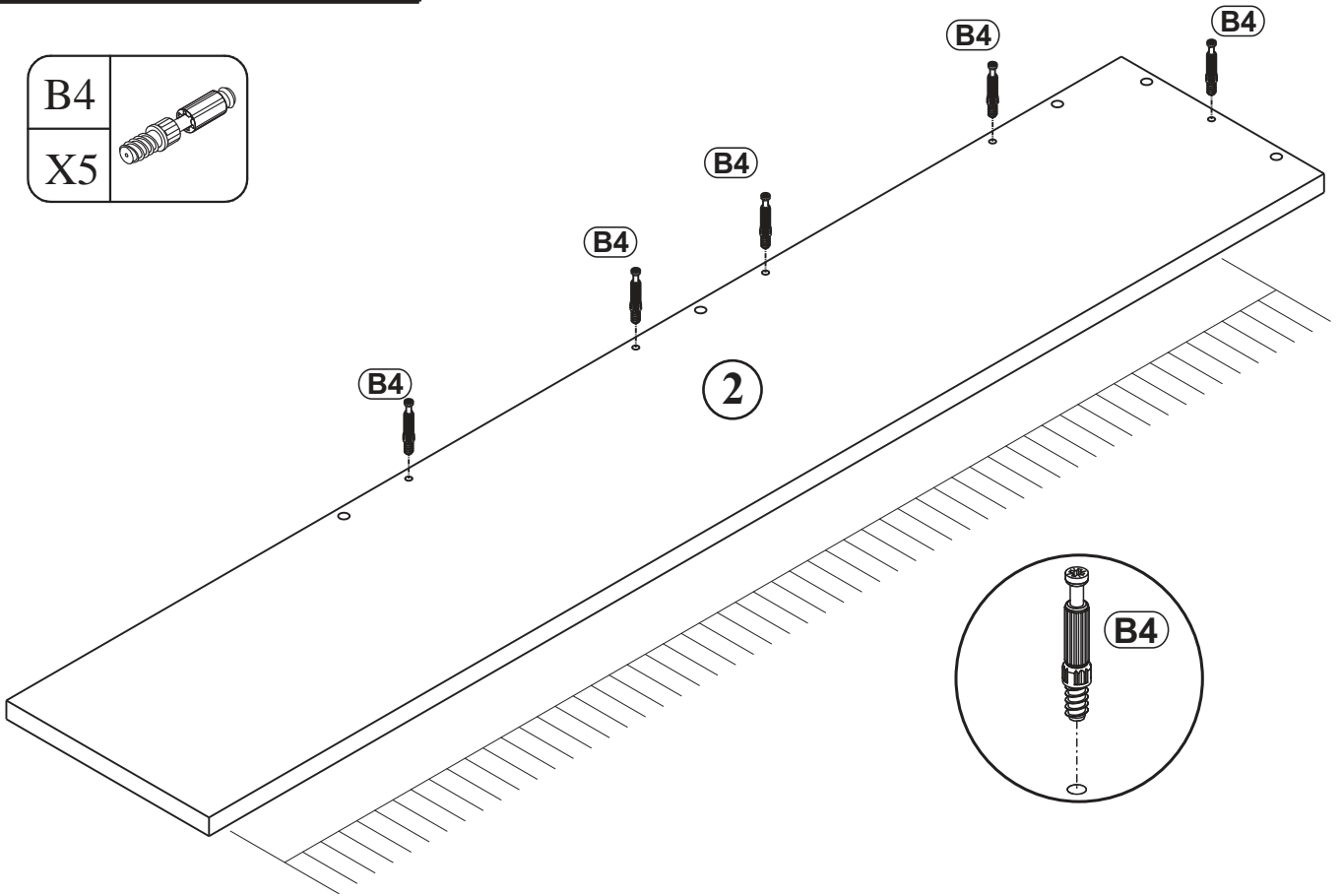
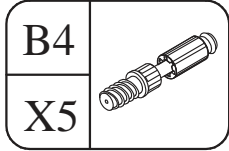
2



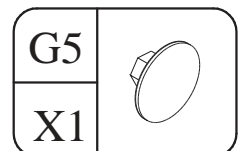
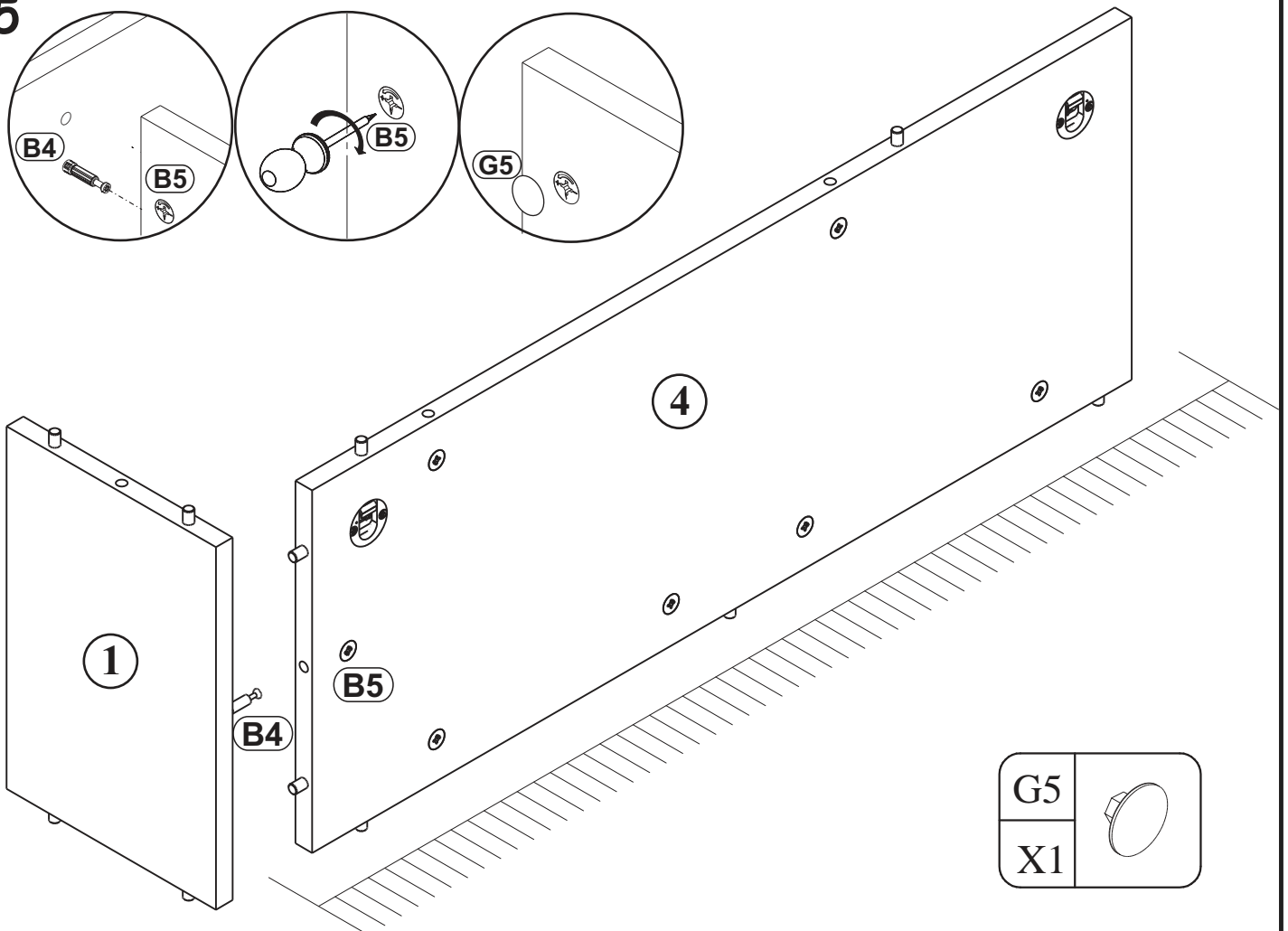
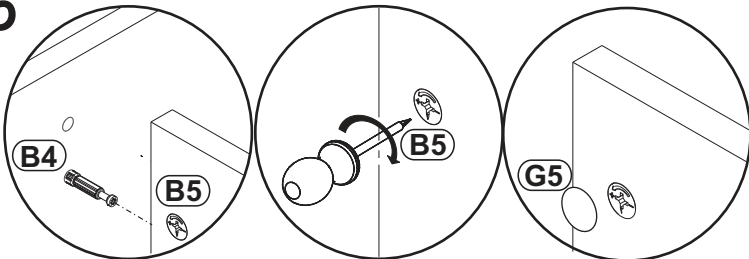
3



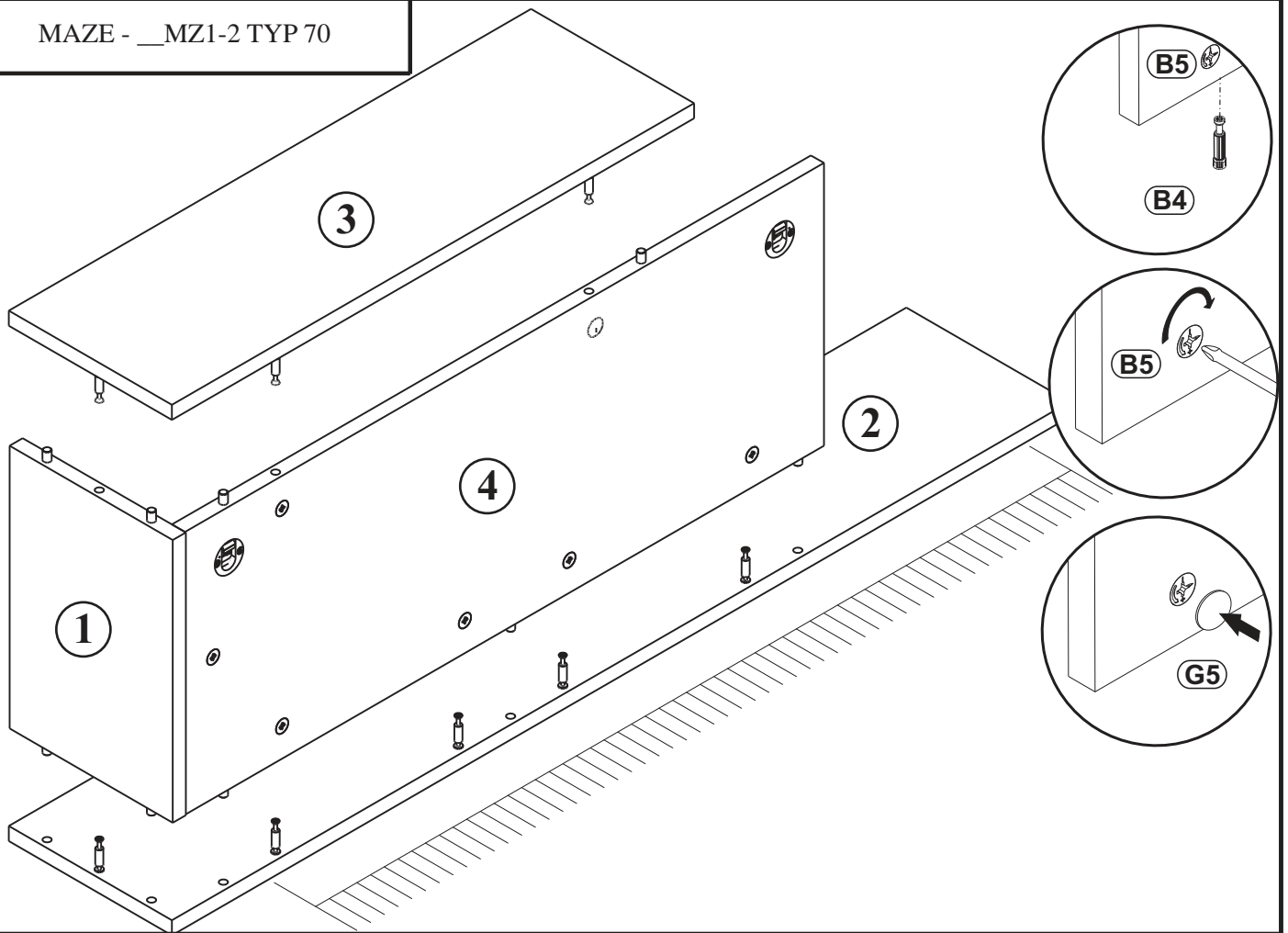
4



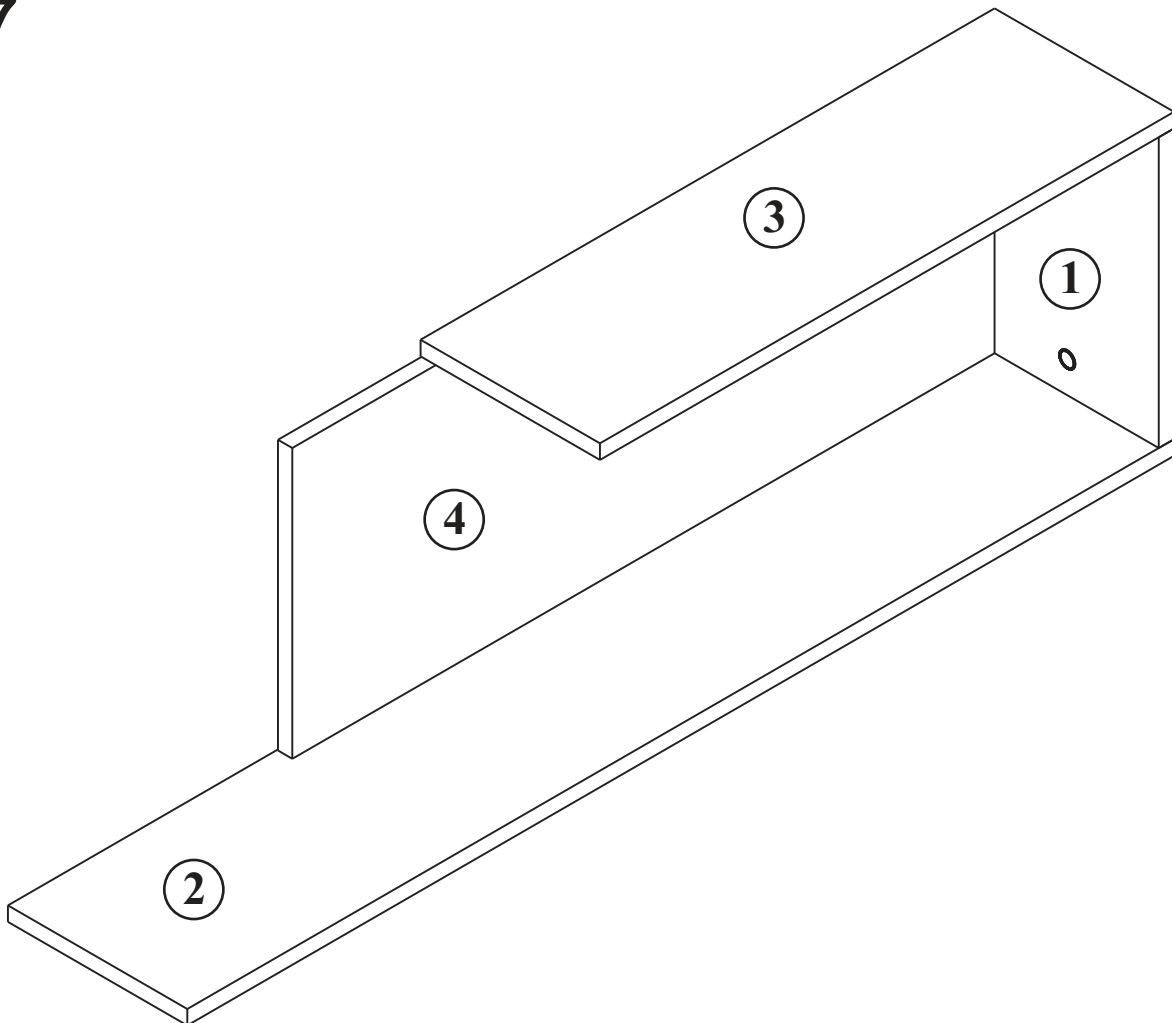
5



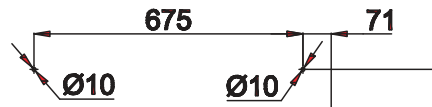
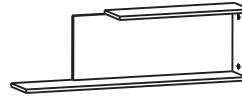
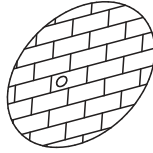
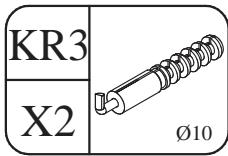
6



7

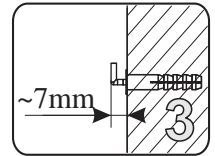
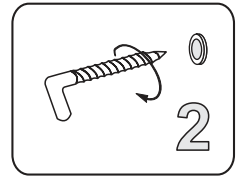
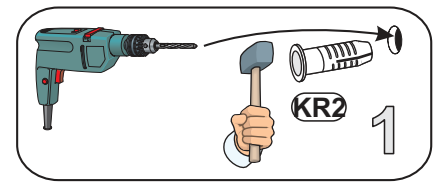


8a

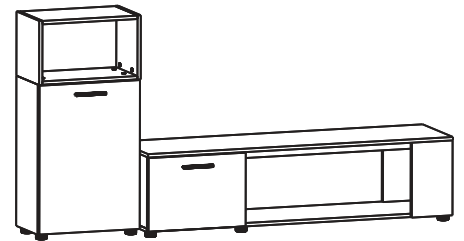
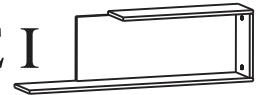


MAZE 1

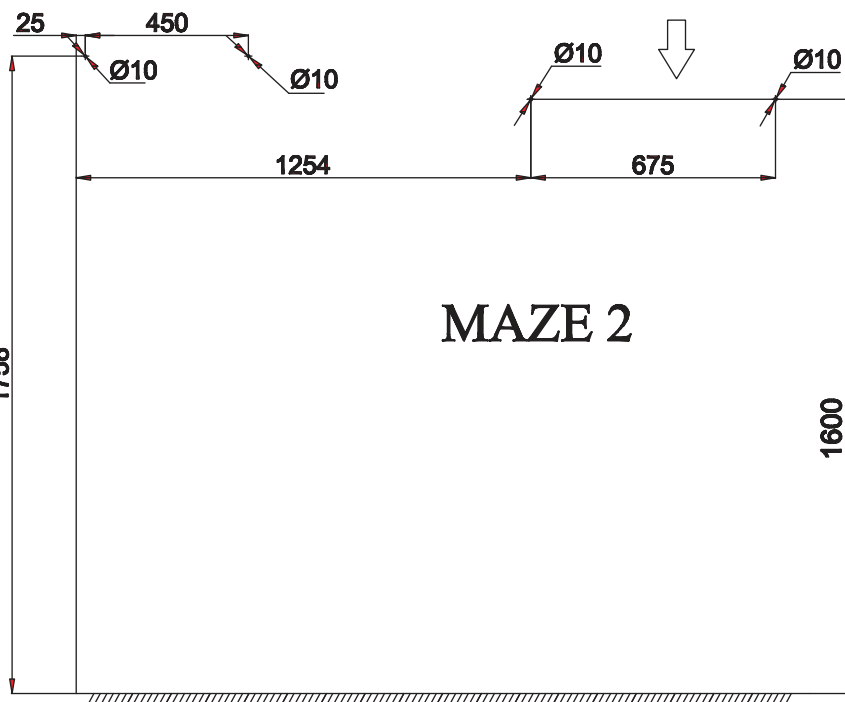
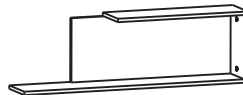
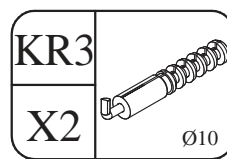
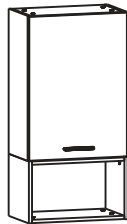
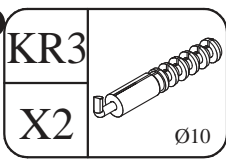
1600



MAZE I

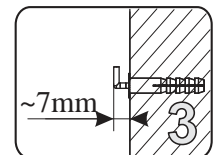
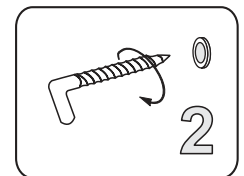
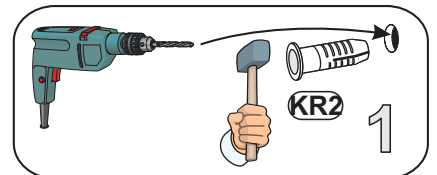
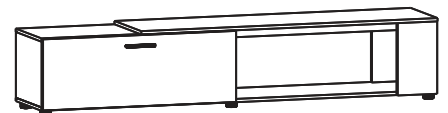
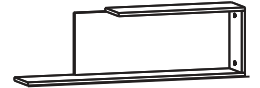
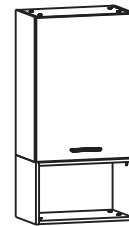


8b

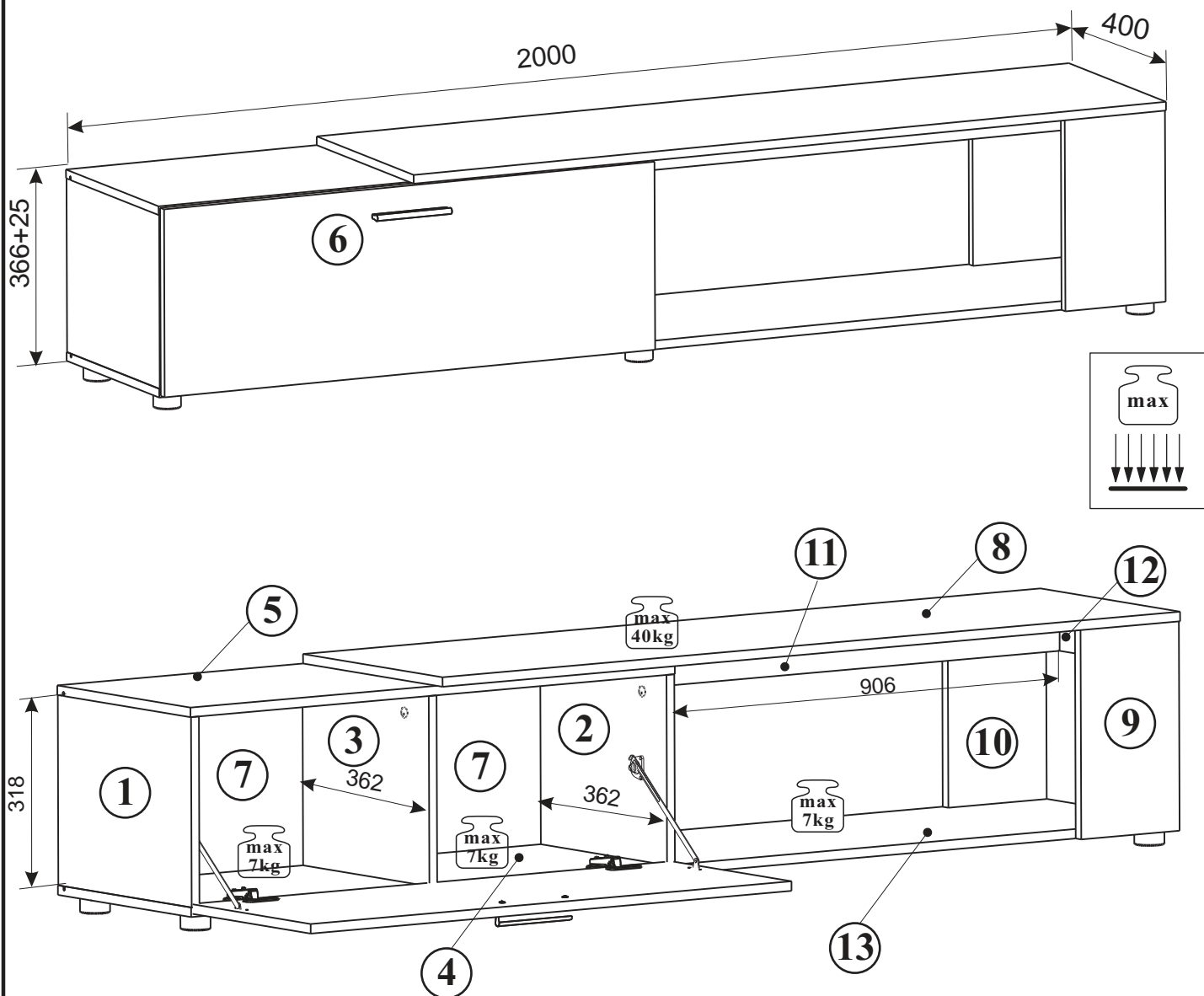


MAZE 2

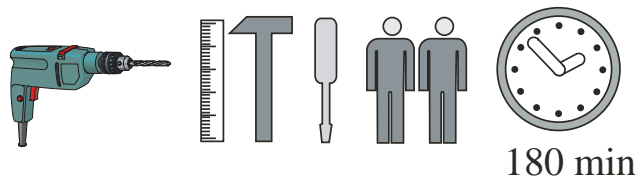
MAZE II



# MAZE - \_\_ MZ2 TYP 31

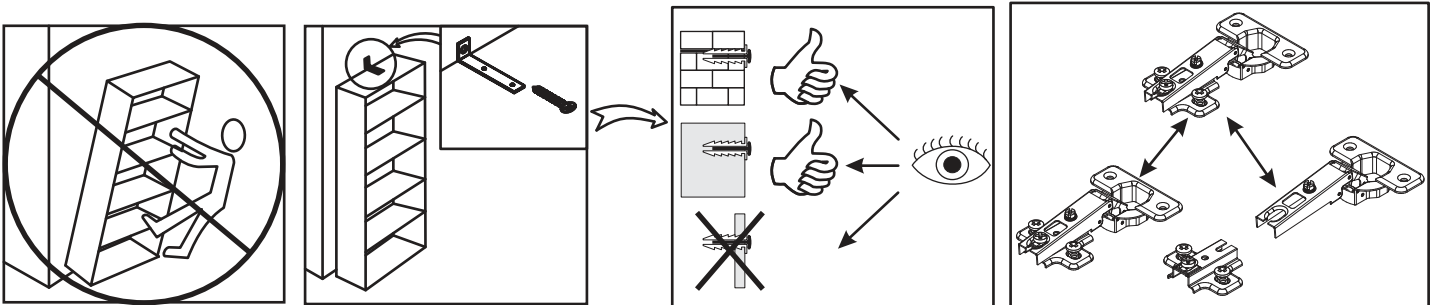
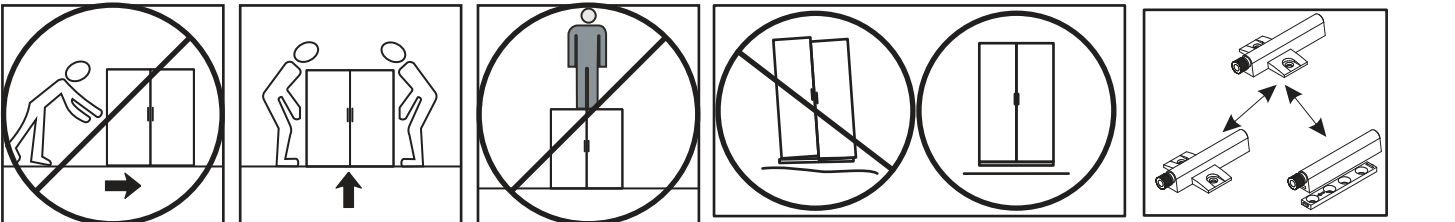
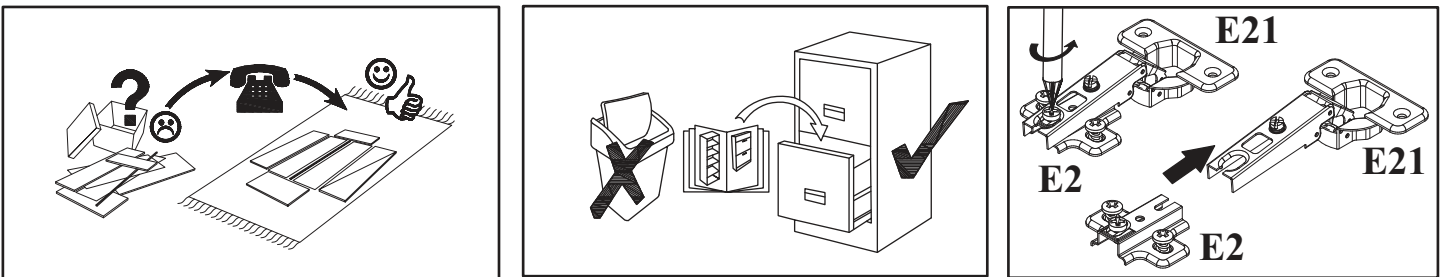
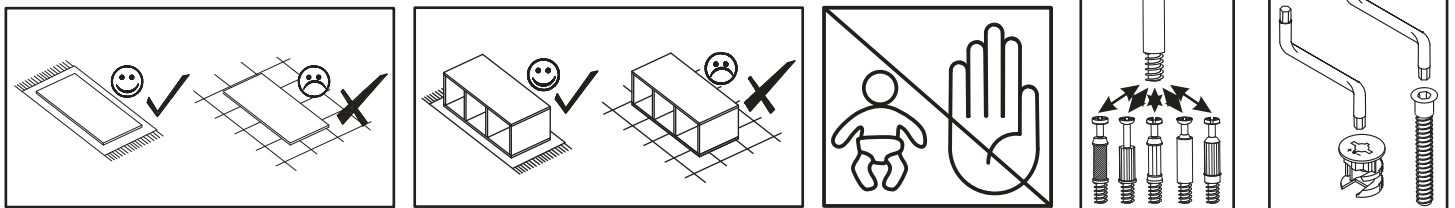
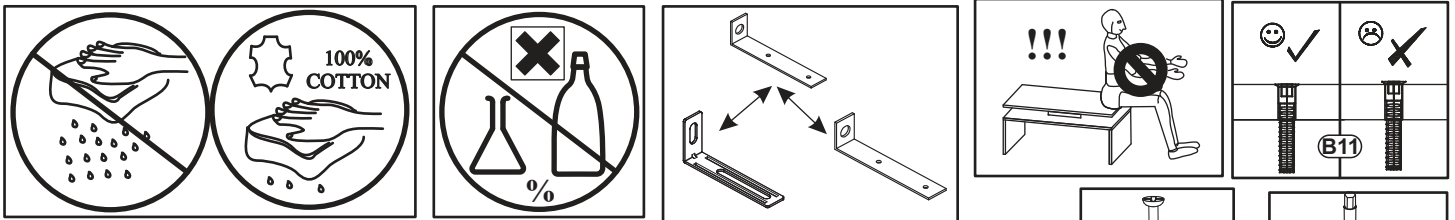


NO	DIM.			COL.-NO	QTY
1	318	382	16	1/1	1
2	318	382	16	1/1	1
3	318	362	16	1/1	1
4	985	382	16	1/1	1
5	985	382	16	1/1	1
6	978	344	16	1/1	1
7	963	330	3	1/1	1
8	1500	400	16	1/1	1
9	350	200	16	1/1	1
10	334	200	16	1/1	1
11	906	60	16	1/1	1
12	365	60	16	1/1	1
13	1015	382	16	1/1	1



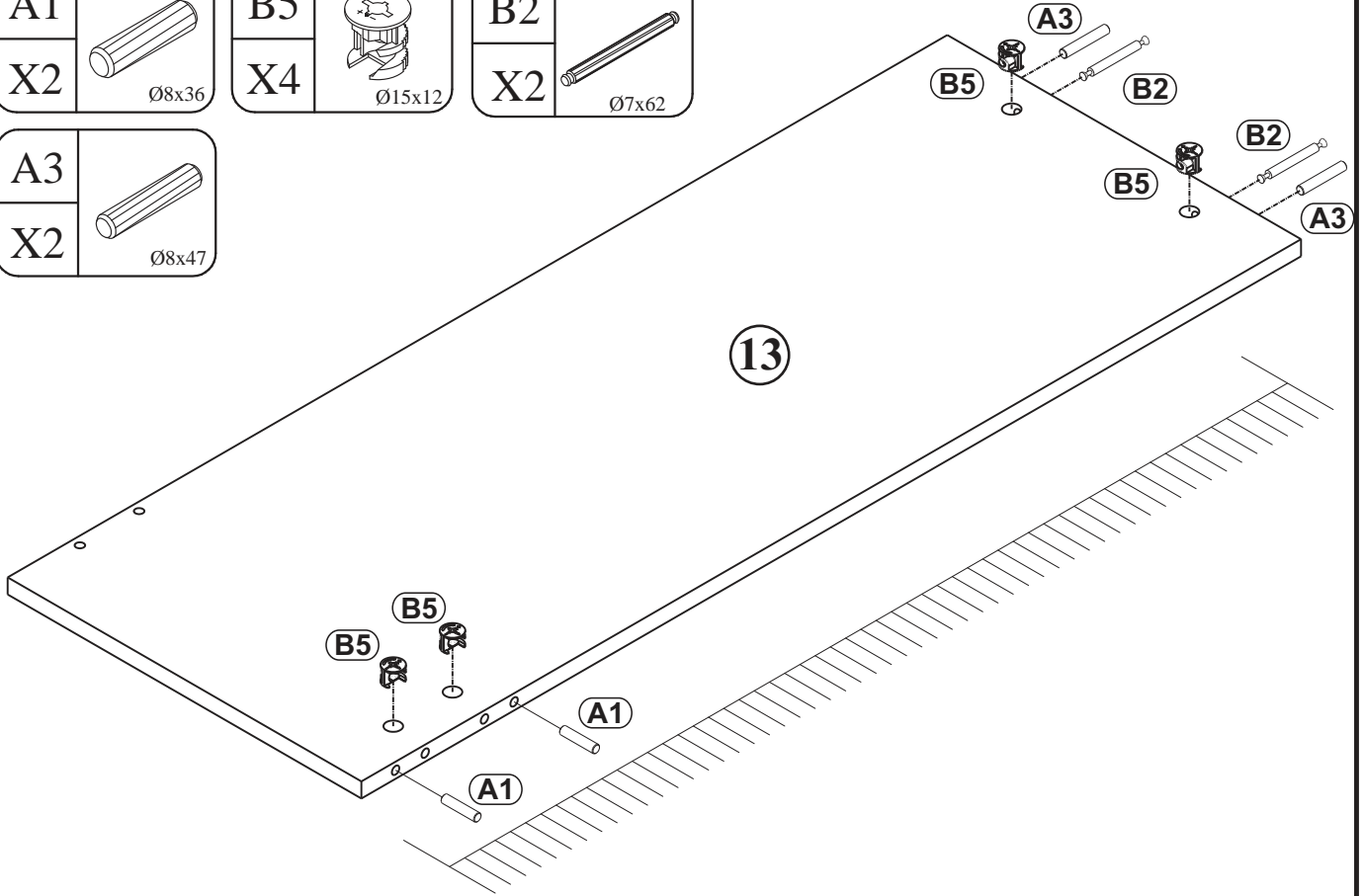
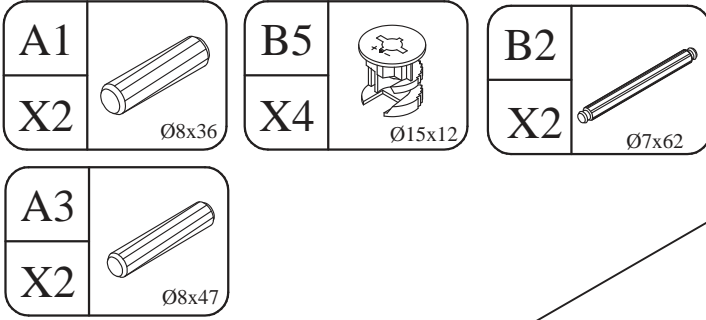
180 min

A1 X25 Ø8x36	A3 X2 Ø8x47	B4 X18 34	B5 X22 Ø15x12	G5 X22	E21 x2 Ø35 H=0
E2 x2 H=0	KL X1 L-128mm.	UP6 X6 UPØ4x30	S1 X10	KR1 x1 Ø8	L1 x1
ST7 X6 Ø50, h=25	UP11 X6 UPØ4x20	D10 x10 USØ3,5x13	D7 X6 USØ3x16	G21 X2	G2 x1
B11 X8 Ø7x50	G4 X8 C	B2 X2 Ø7x62	UP13 X2 UPØ3x16	0 mm 10 20 30 40 50 60	

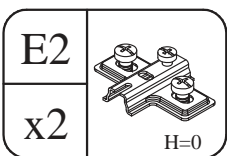
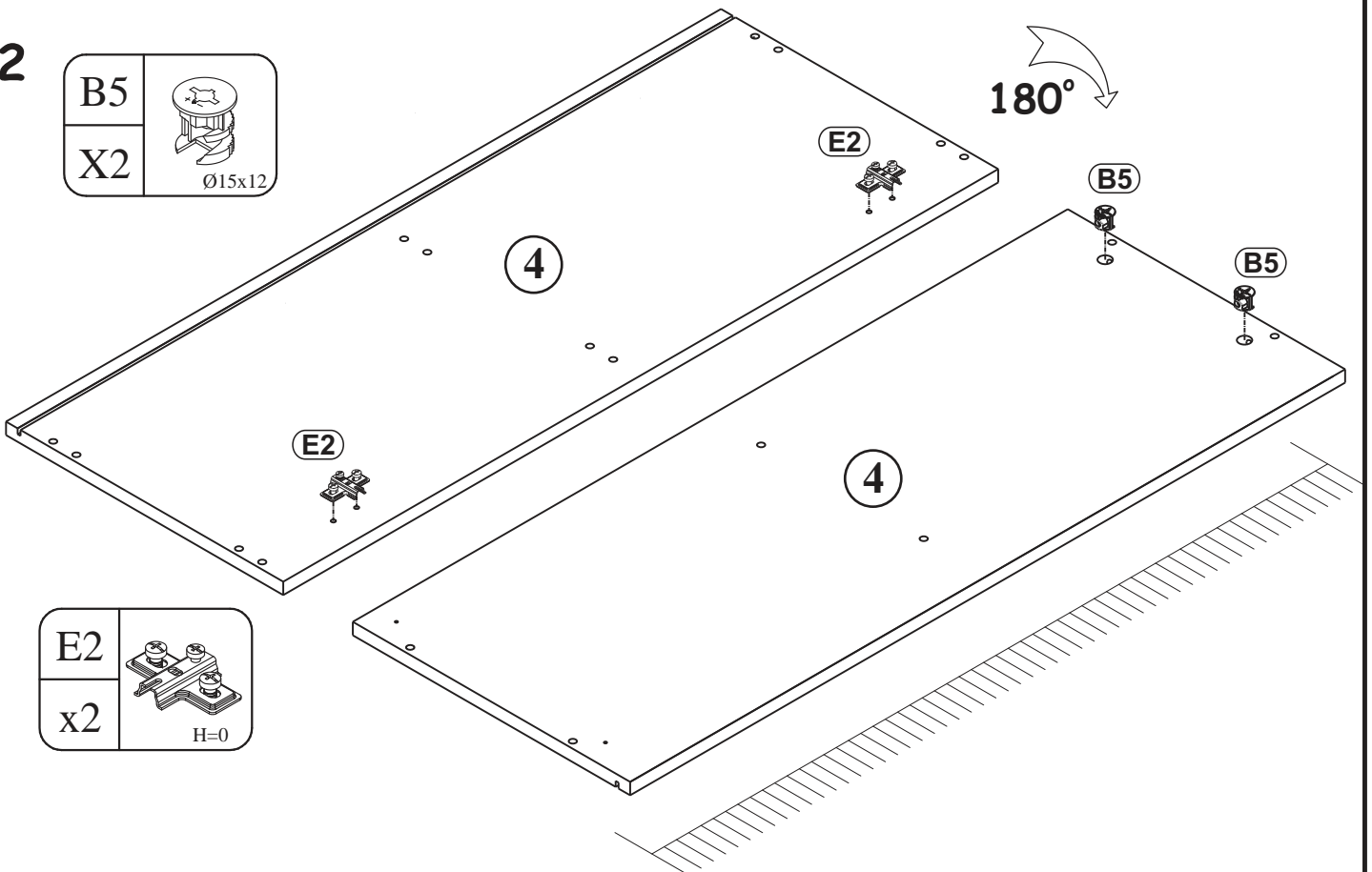
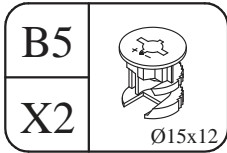




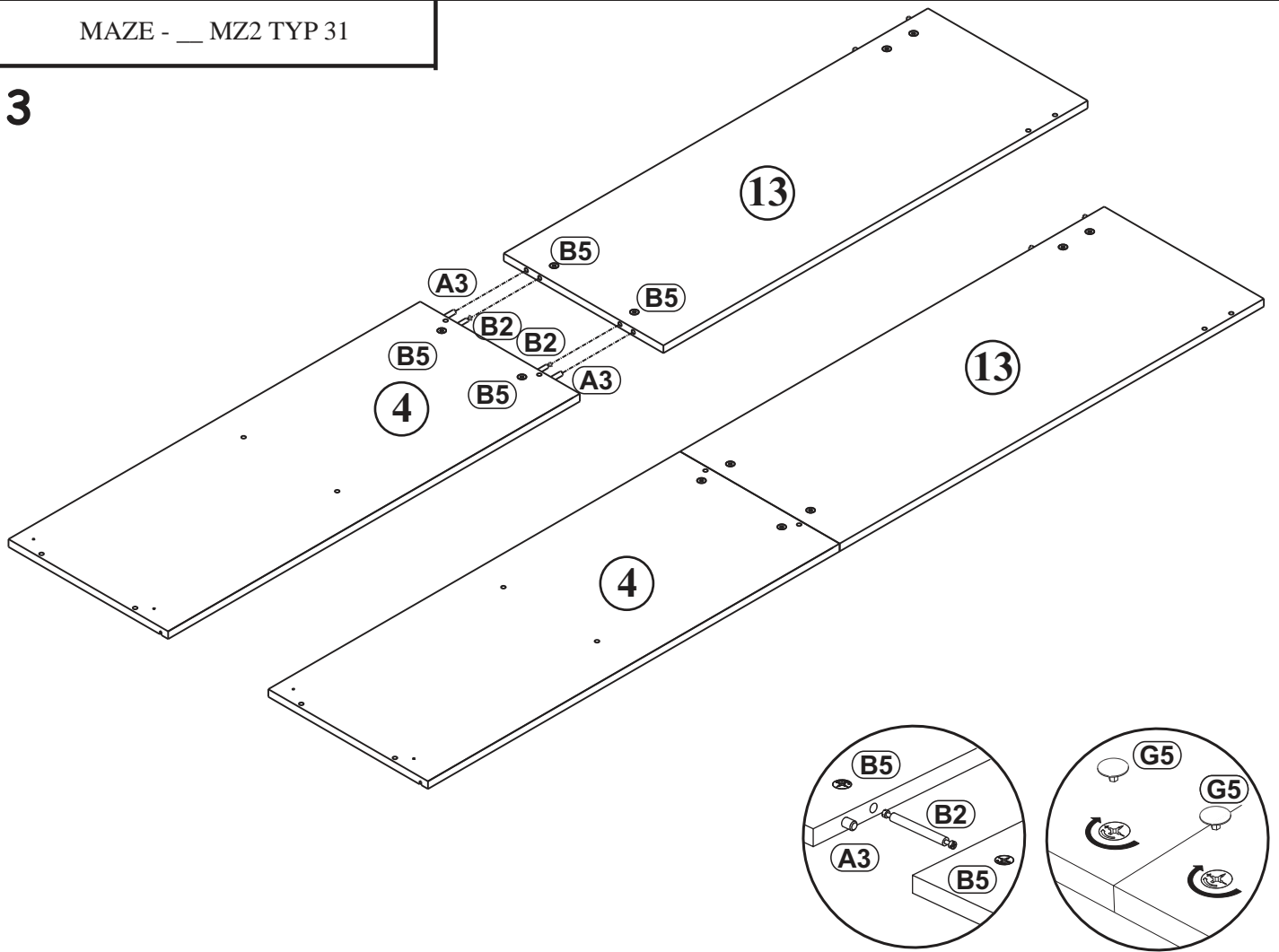
1



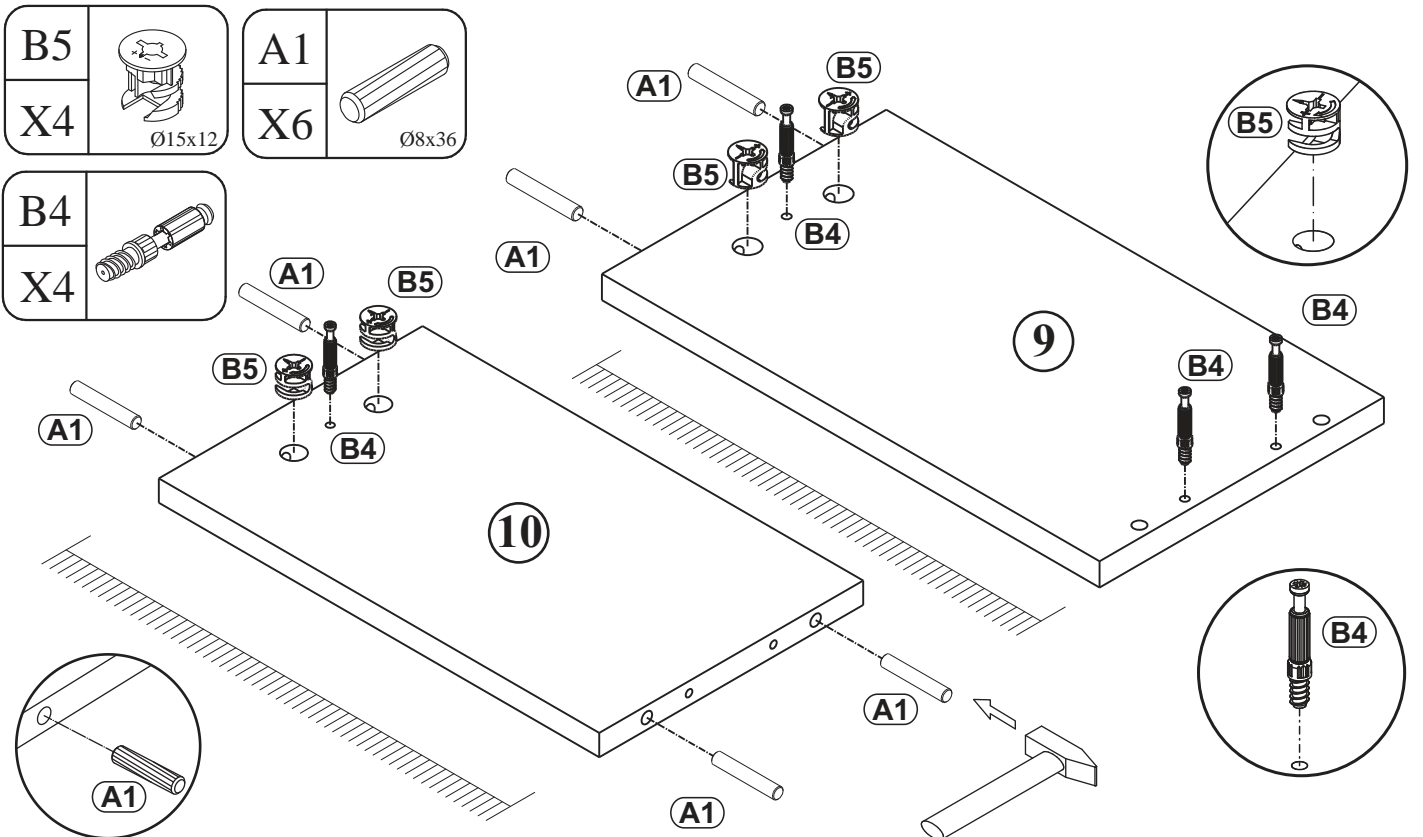
2



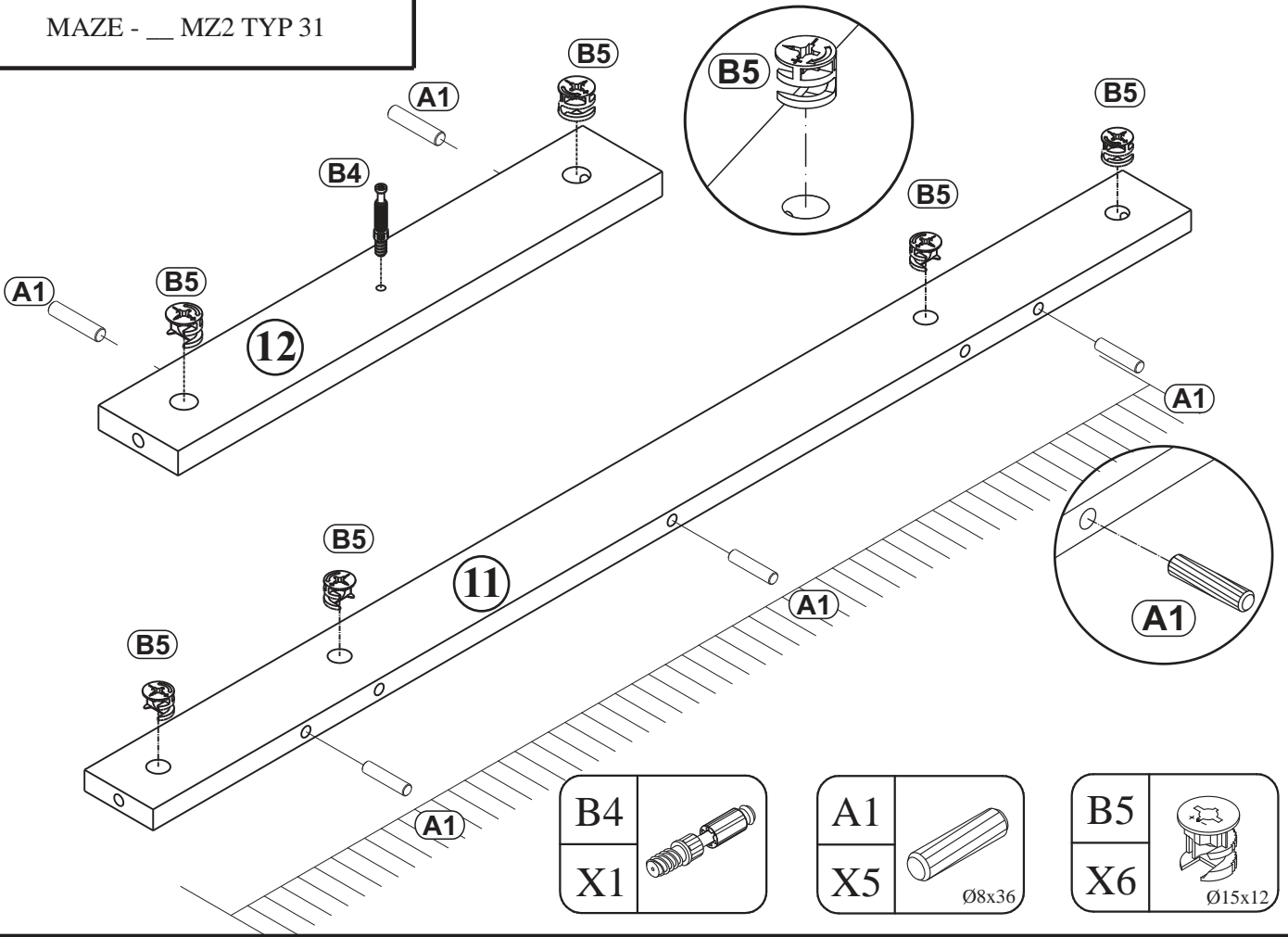
### 3



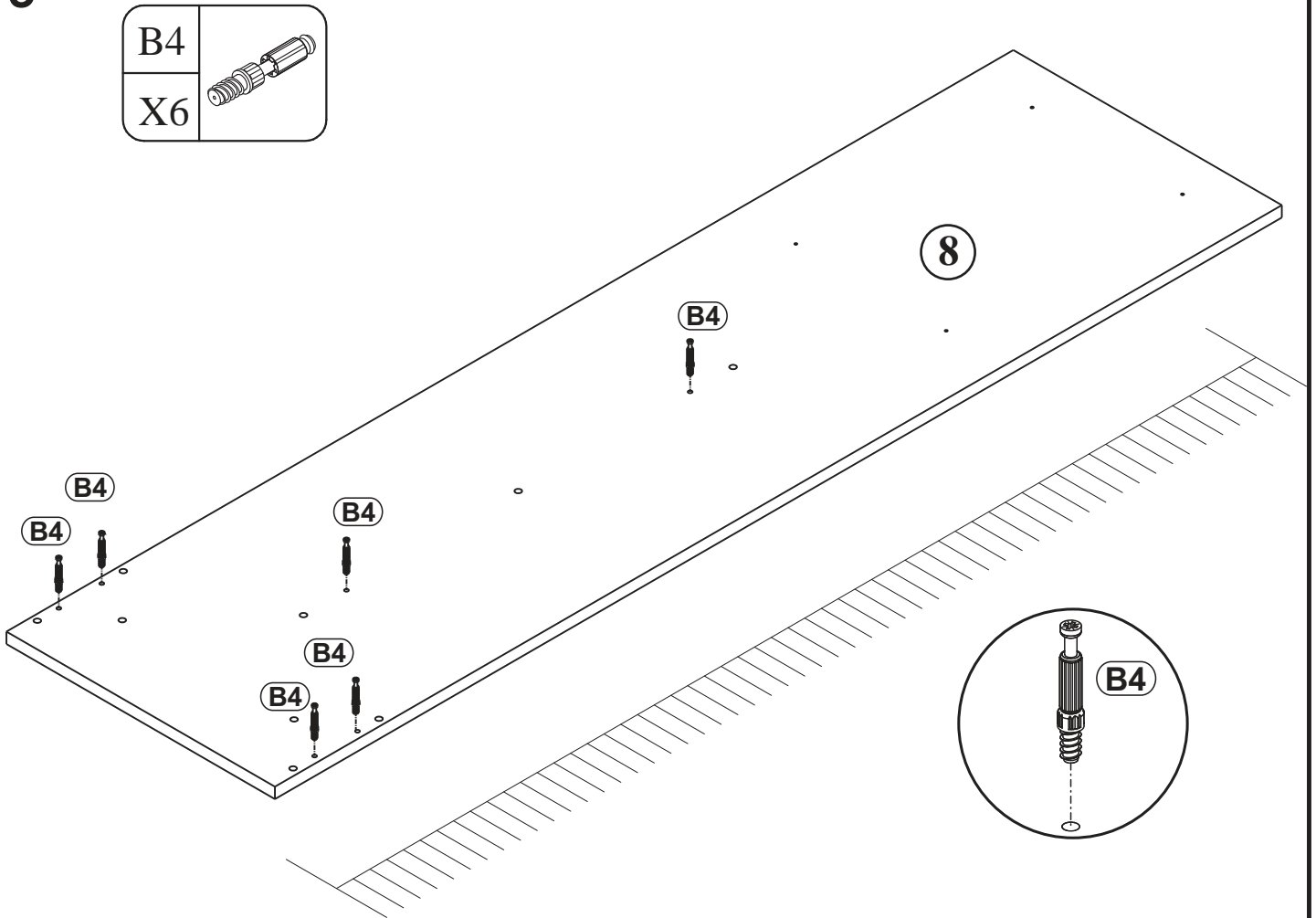
### 4



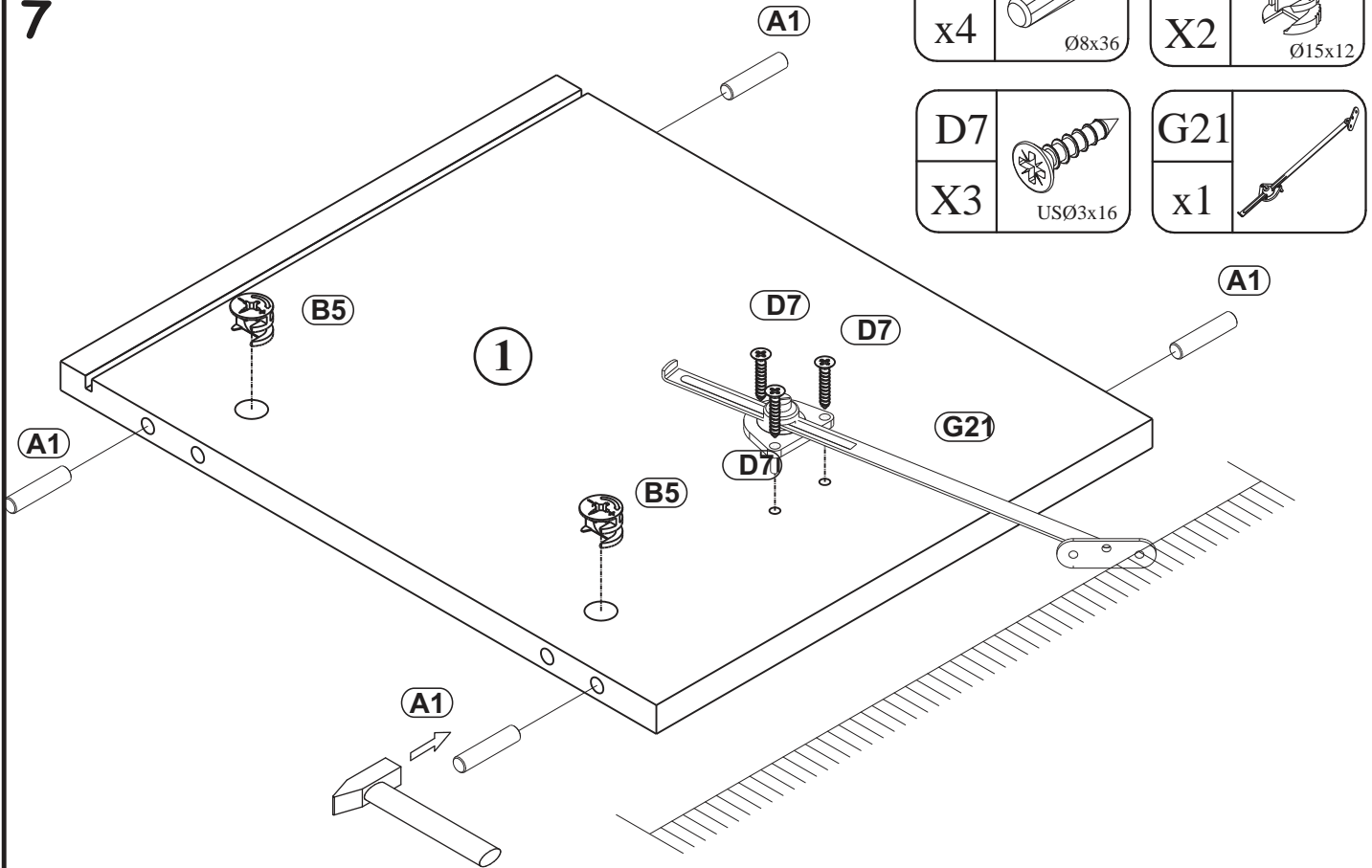
5



6



7



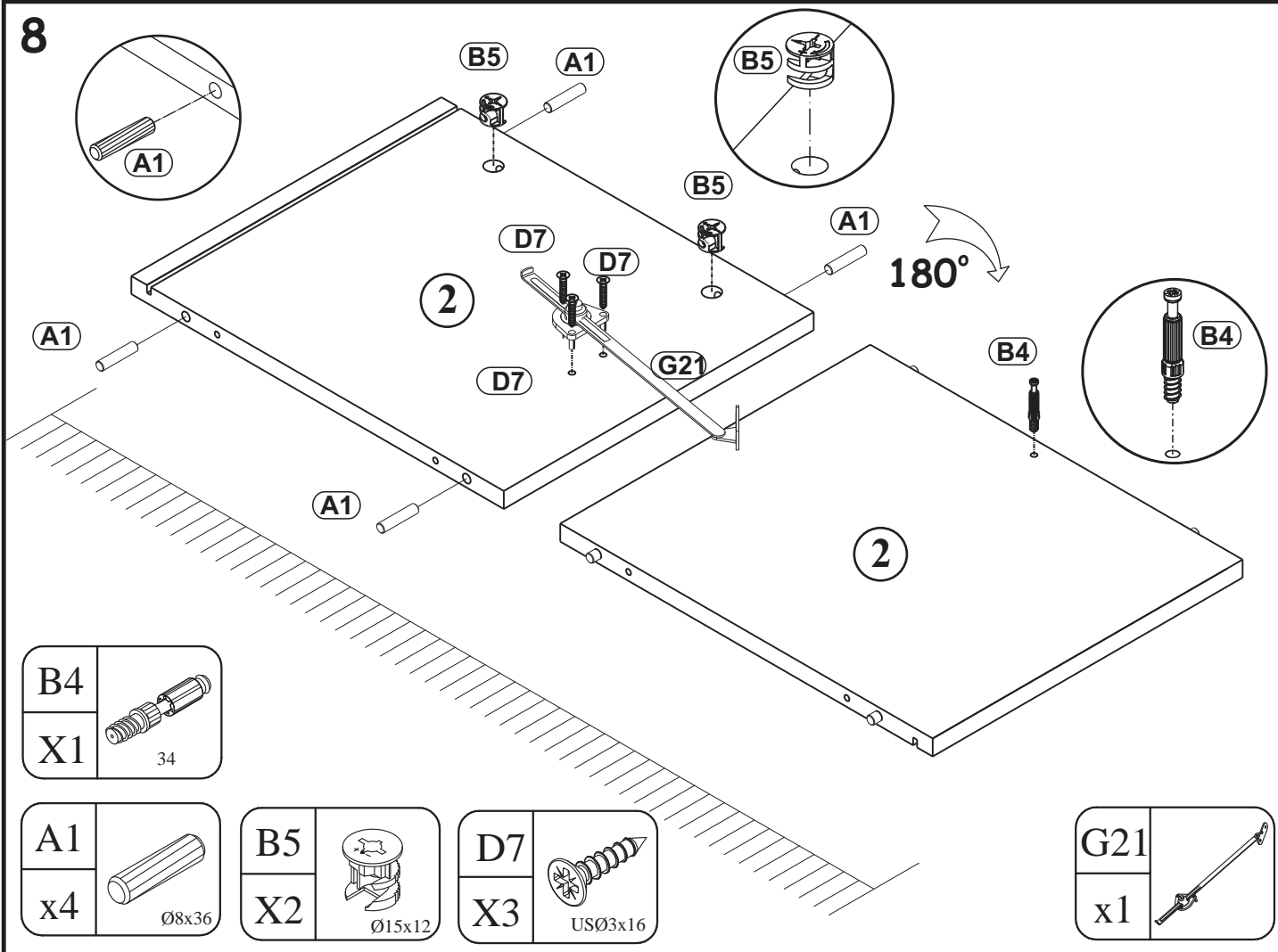
A1	
x4	Ø8x36

B5	
X2	Ø15x12

D7	
X3	USØ3x16

G21	
x1	

8



B4	
X1	34

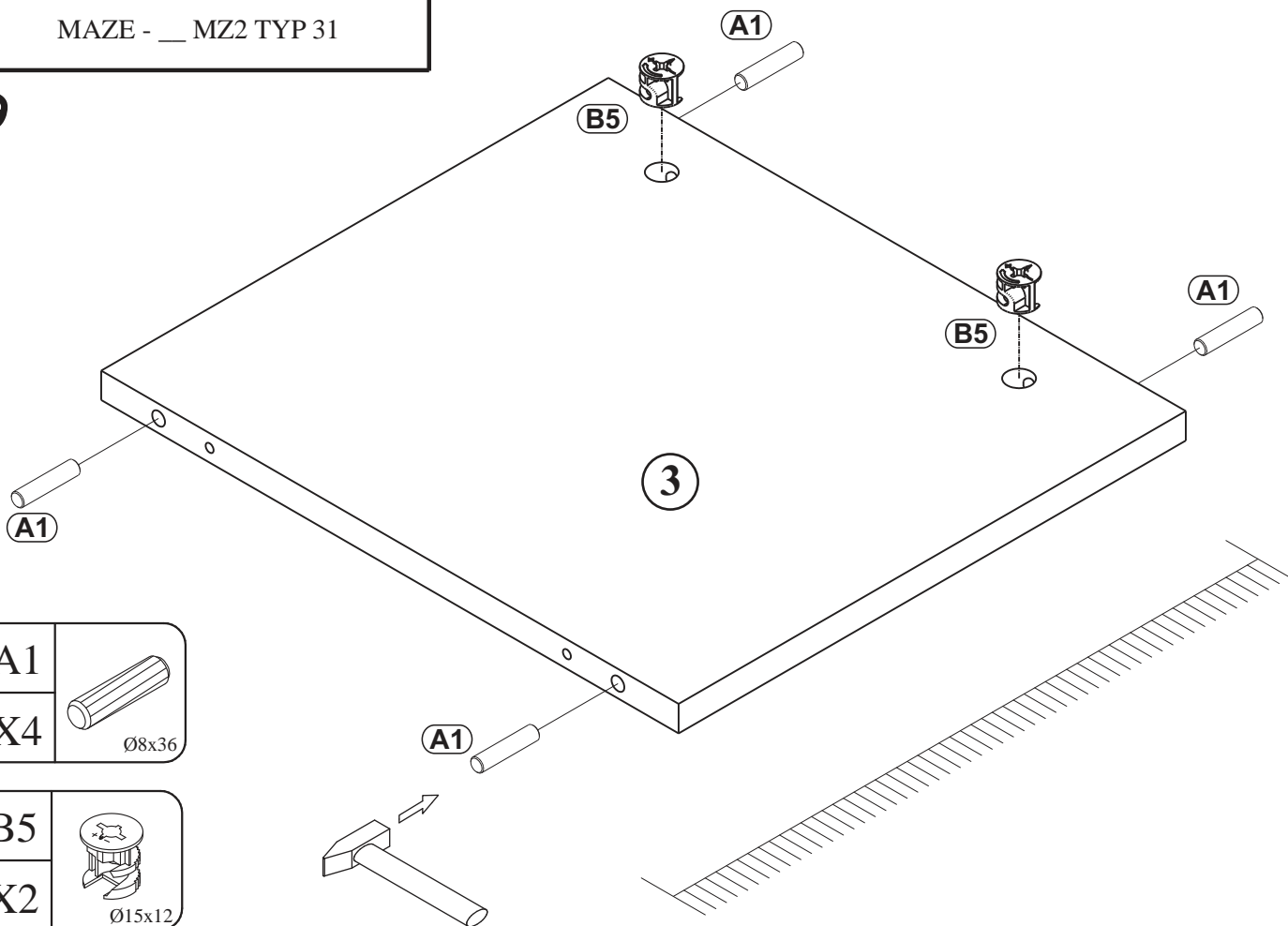
A1	
x4	Ø8x36

B5	
X2	Ø15x12

D7	
X3	USØ3x16

G21	
x1	

# 9

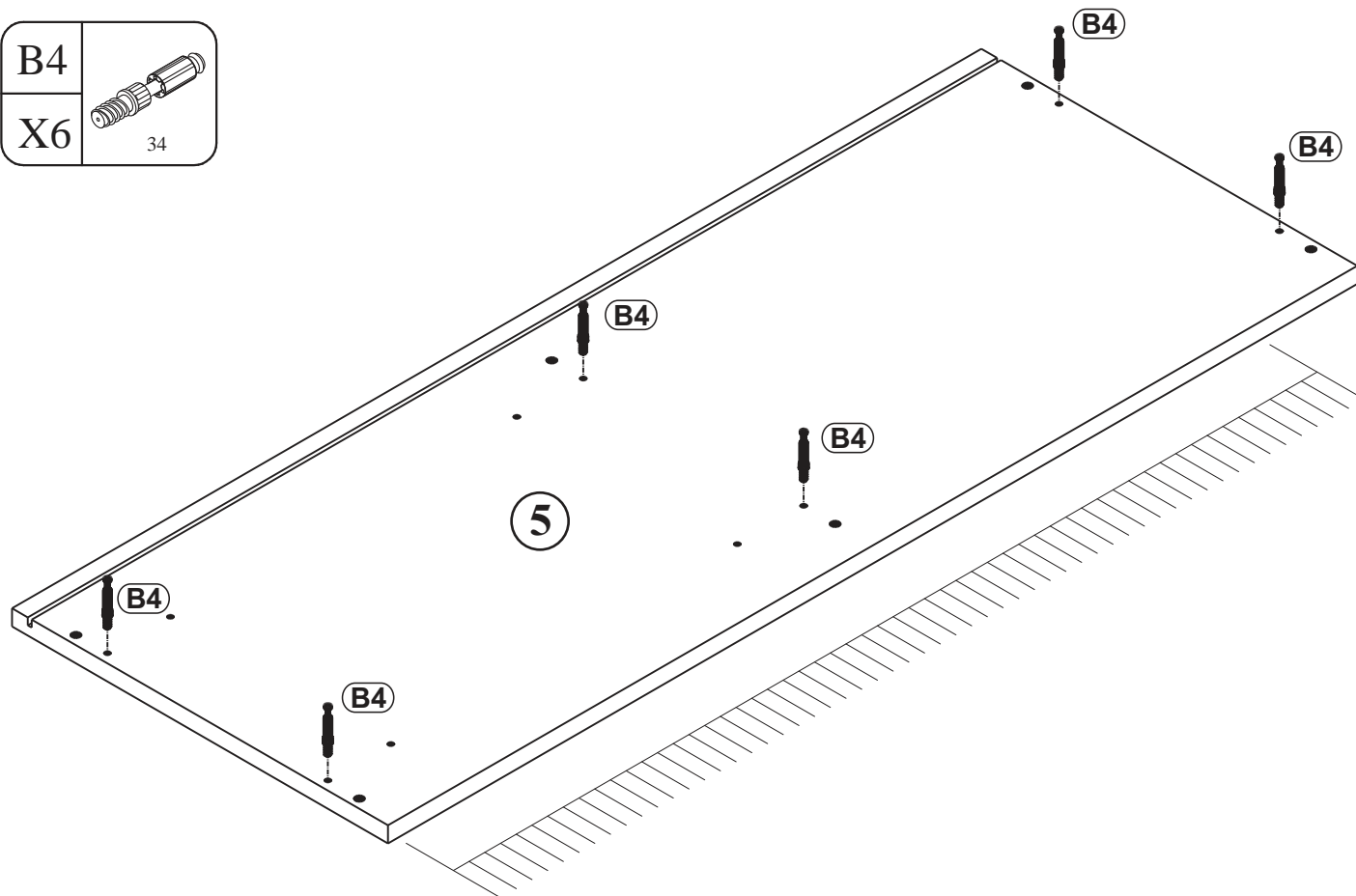


A1	
X4	Ø8x36

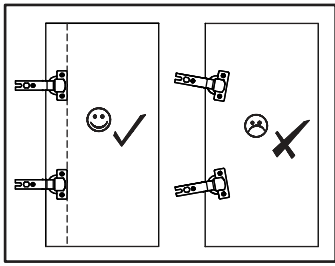
B5	
X2	Ø15x12

# 10

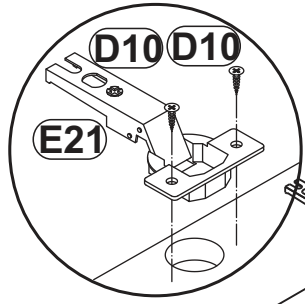
B4	
X6	34




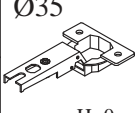
11

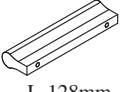


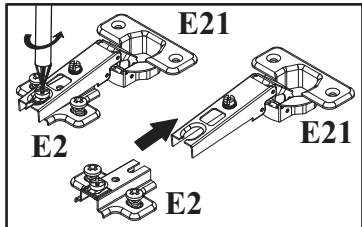
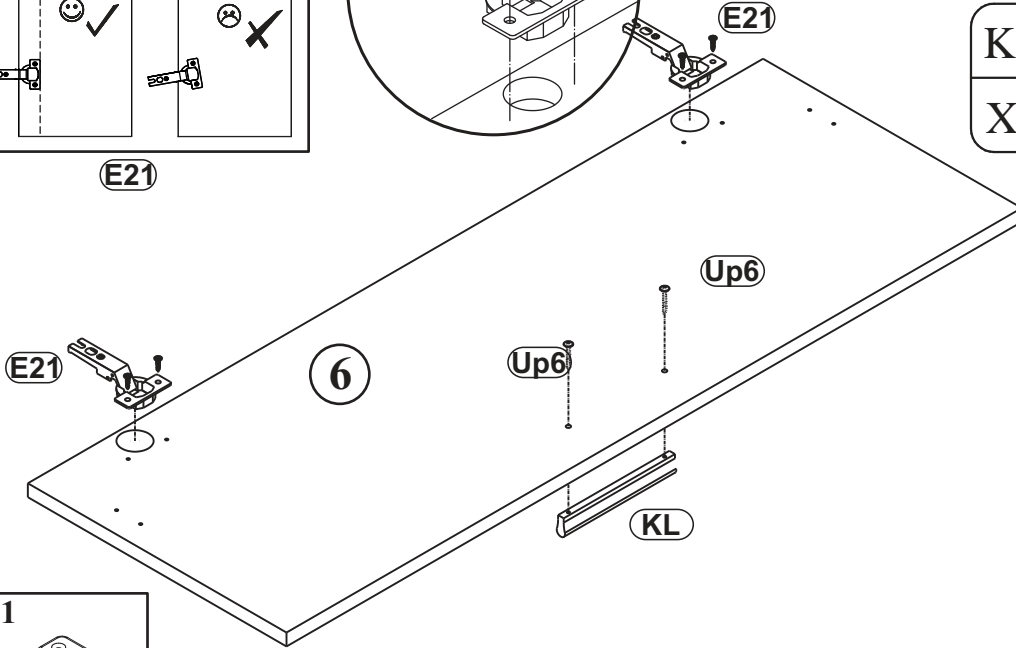
E21




D10	
X4	USØ3,5x13

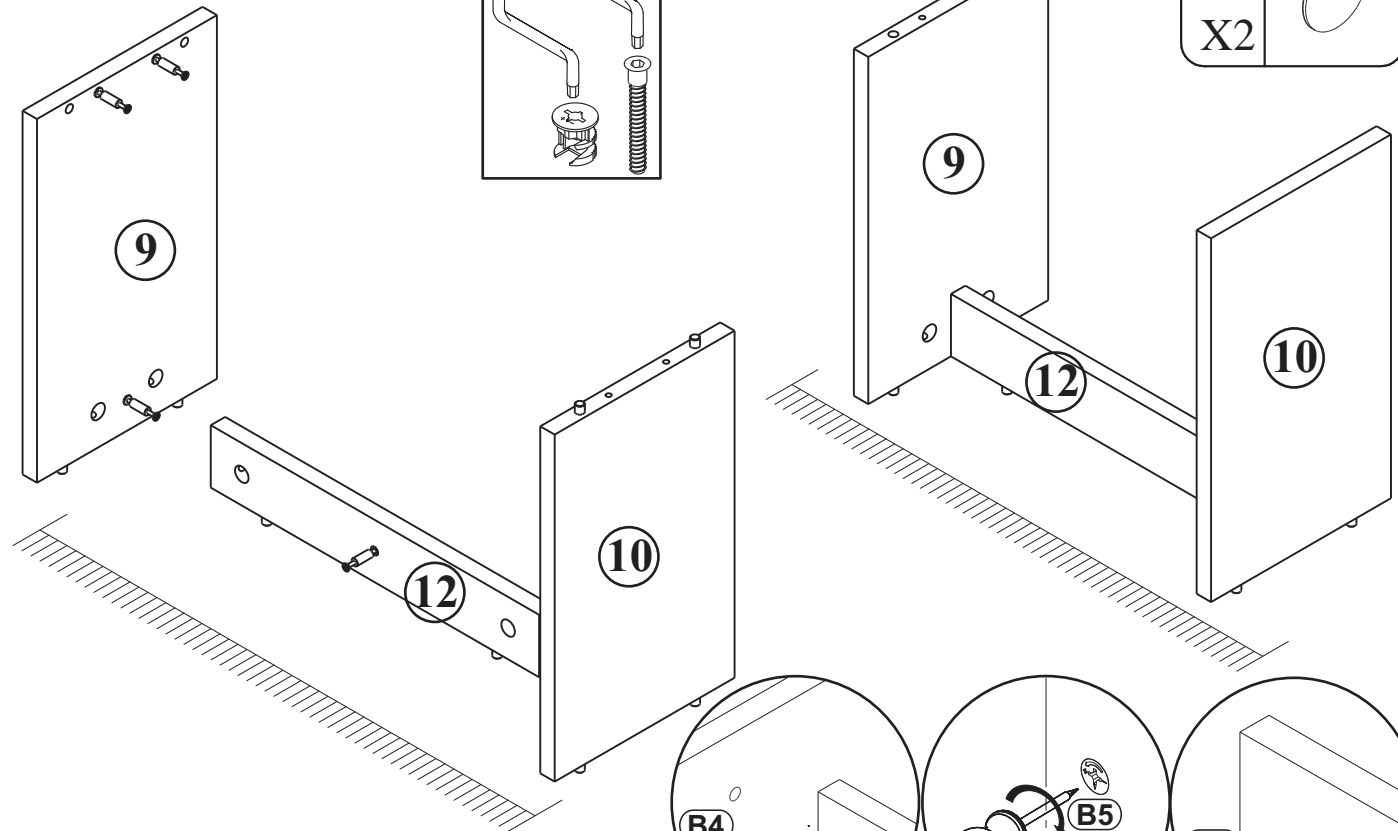
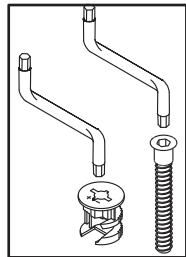
E21	
x2	Ø35 H=0


KL	
X1	L-128mm.

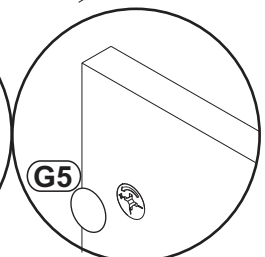
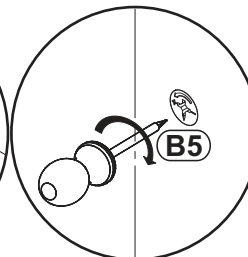
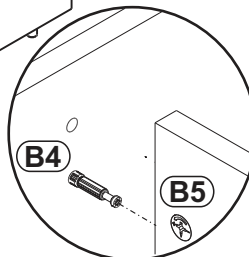


UP6	
X2	UPØ4x30


12

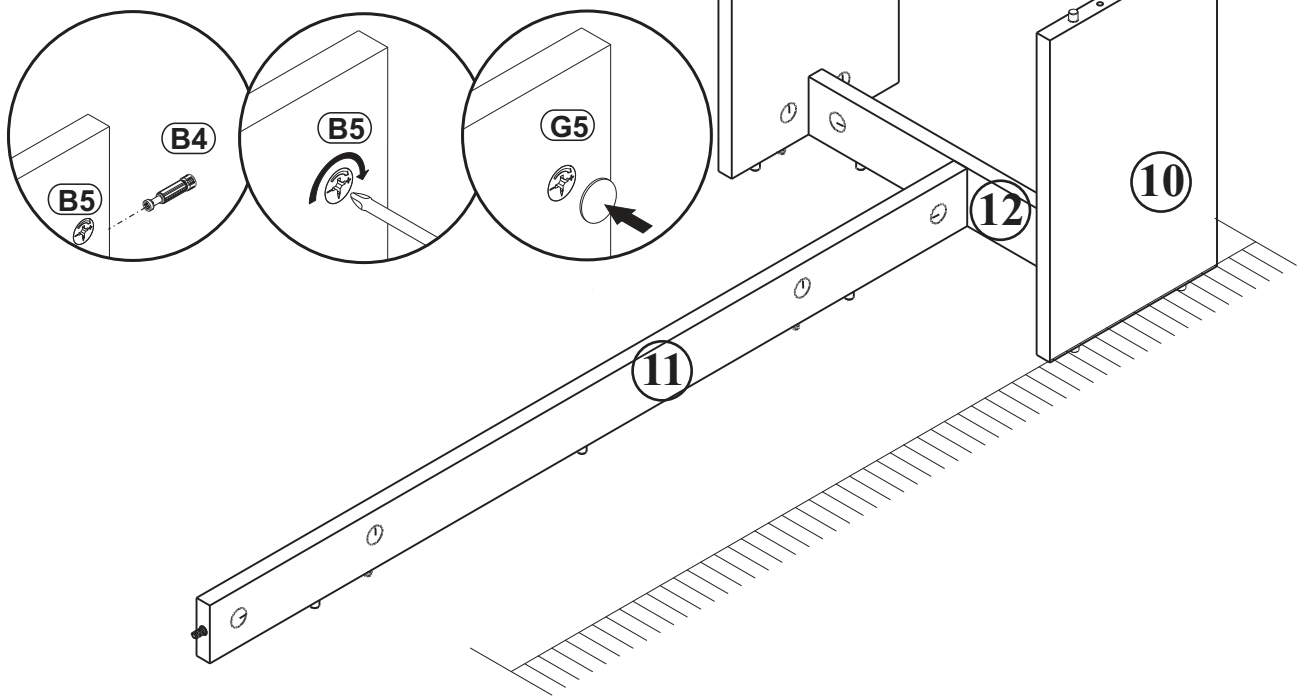


G5	
X2	

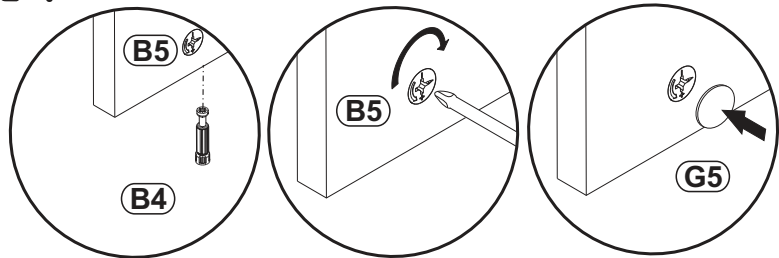



# 13

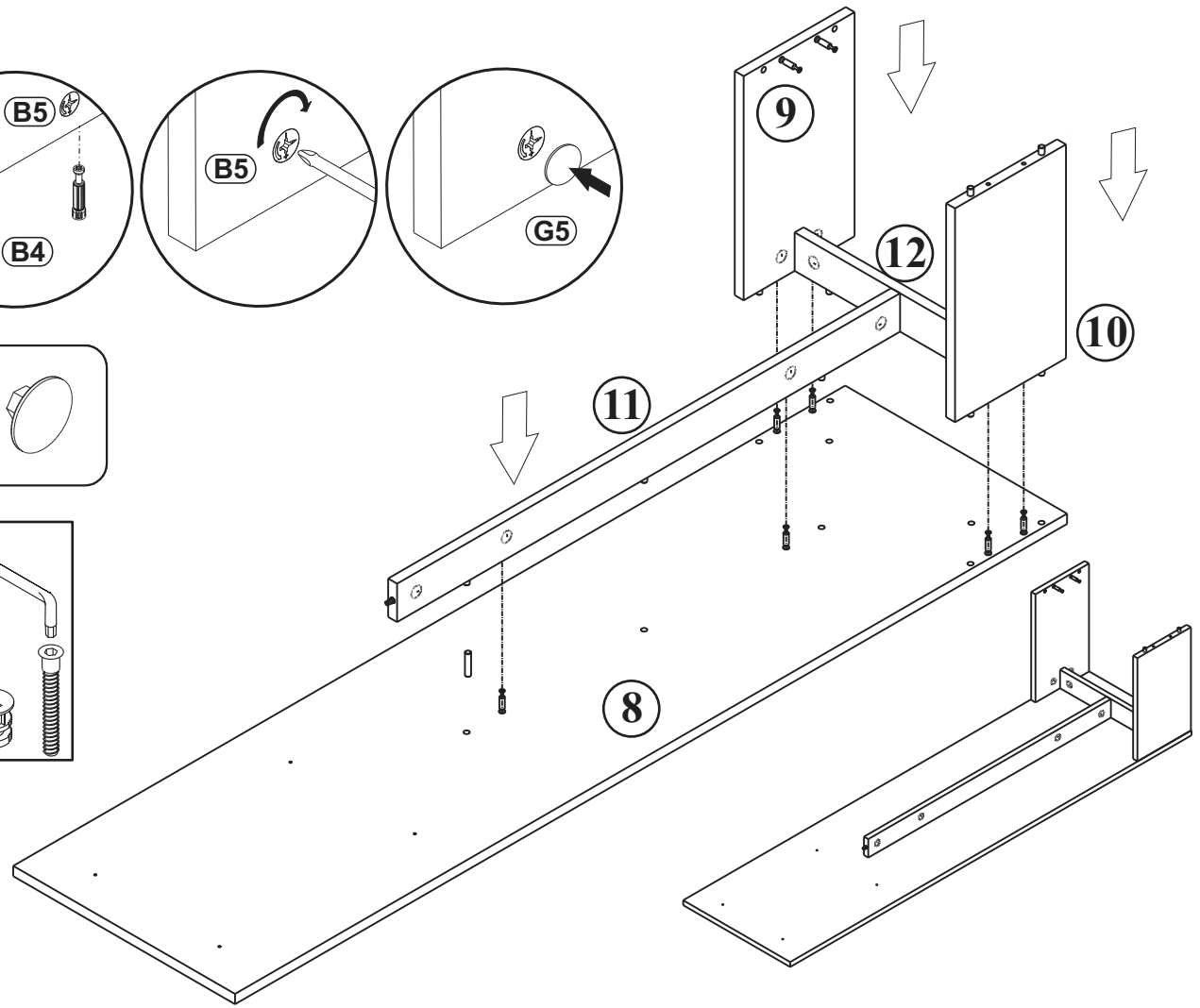
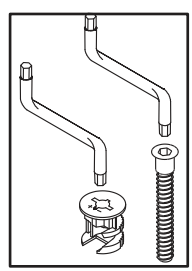
G5	
X1	



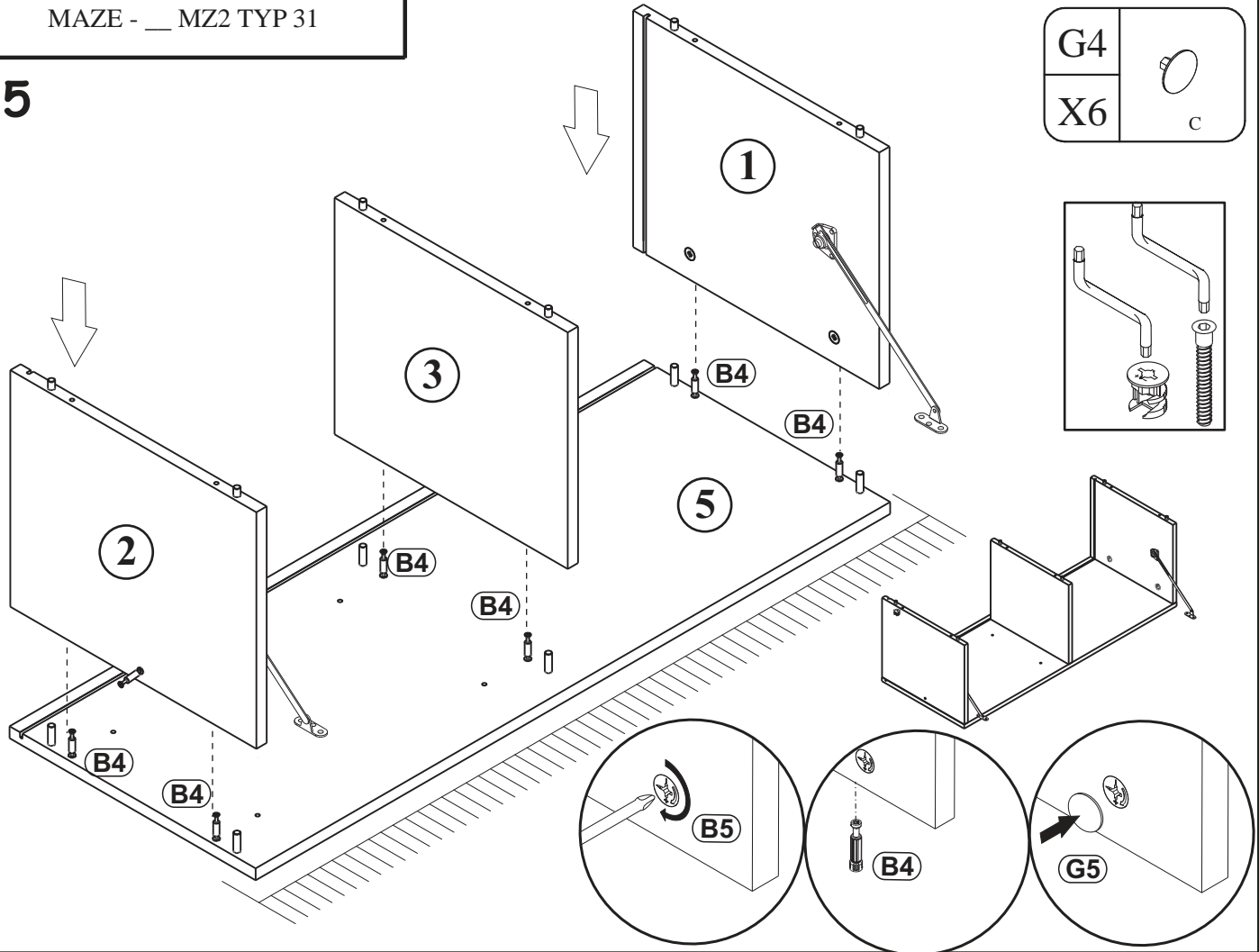
# 14



G5	
X6	

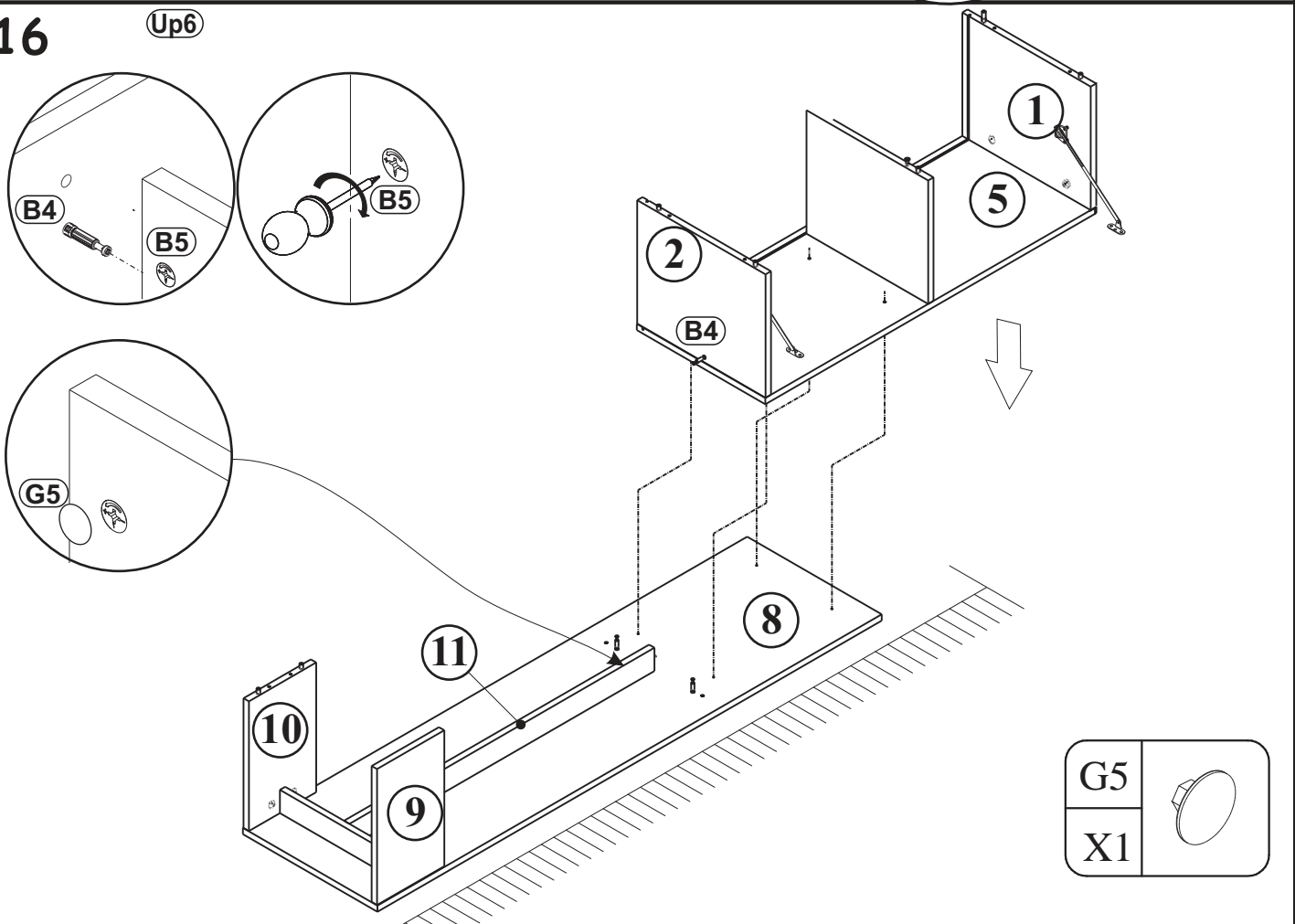


15



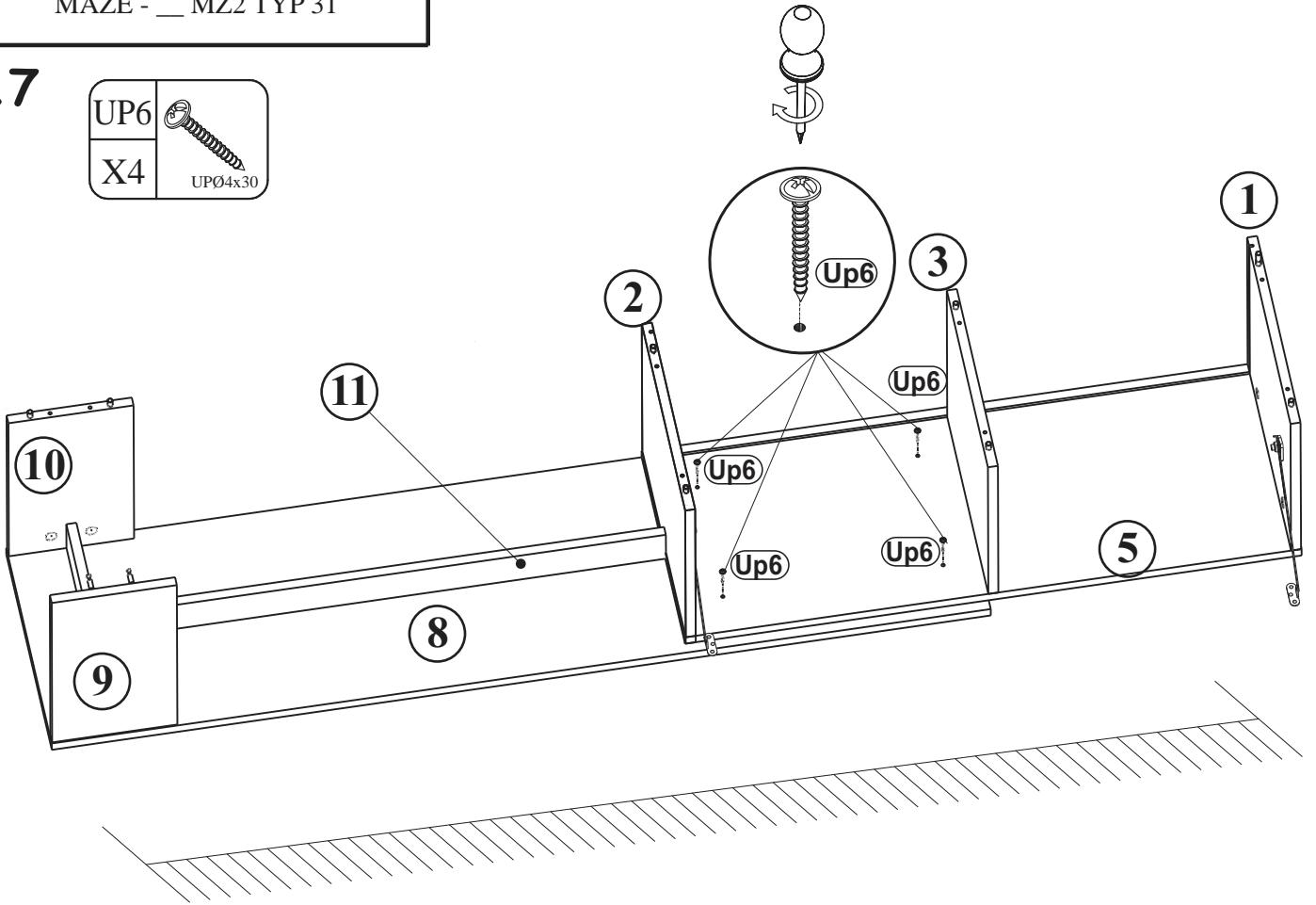
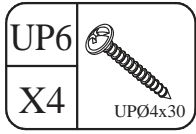
16

Up6

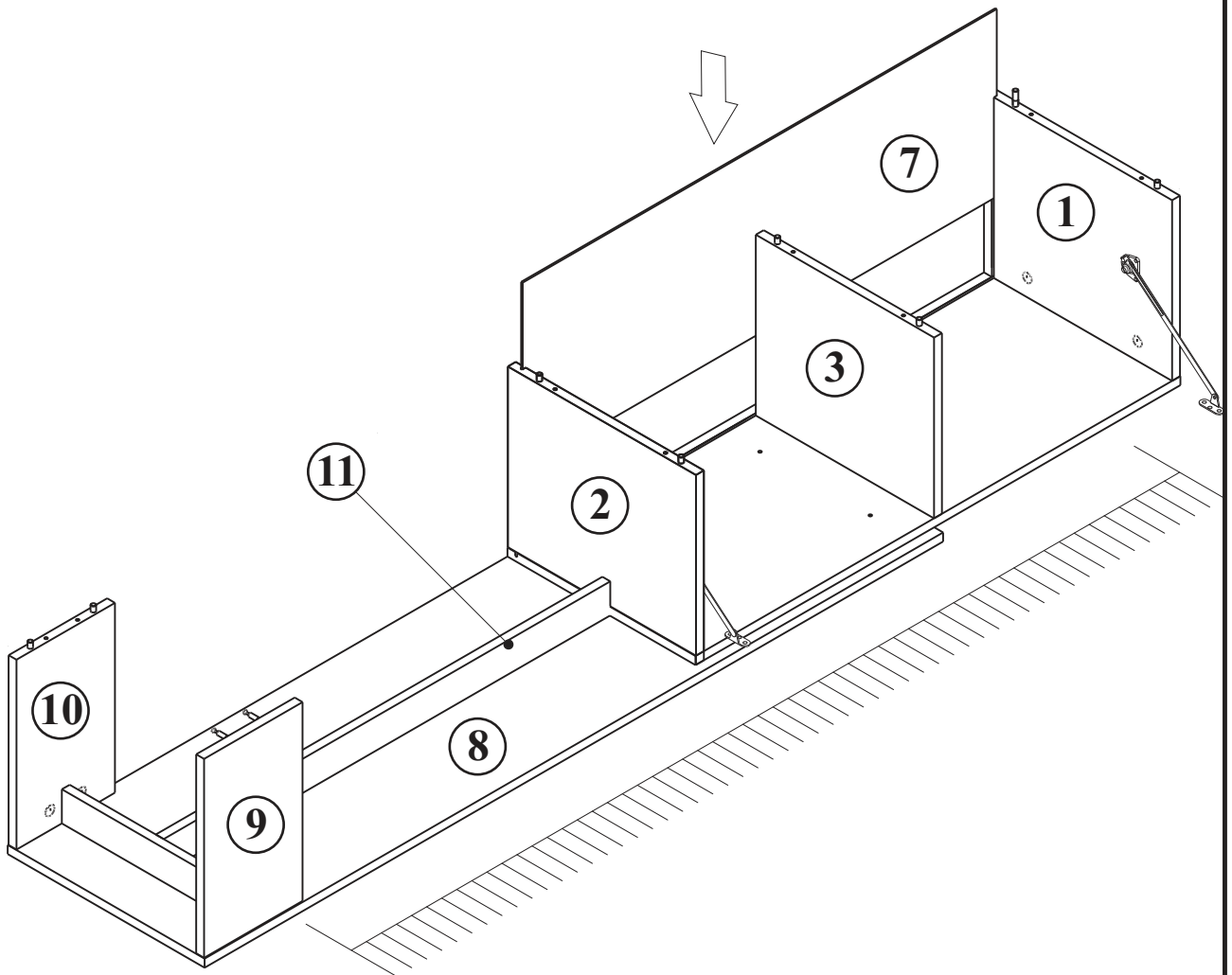




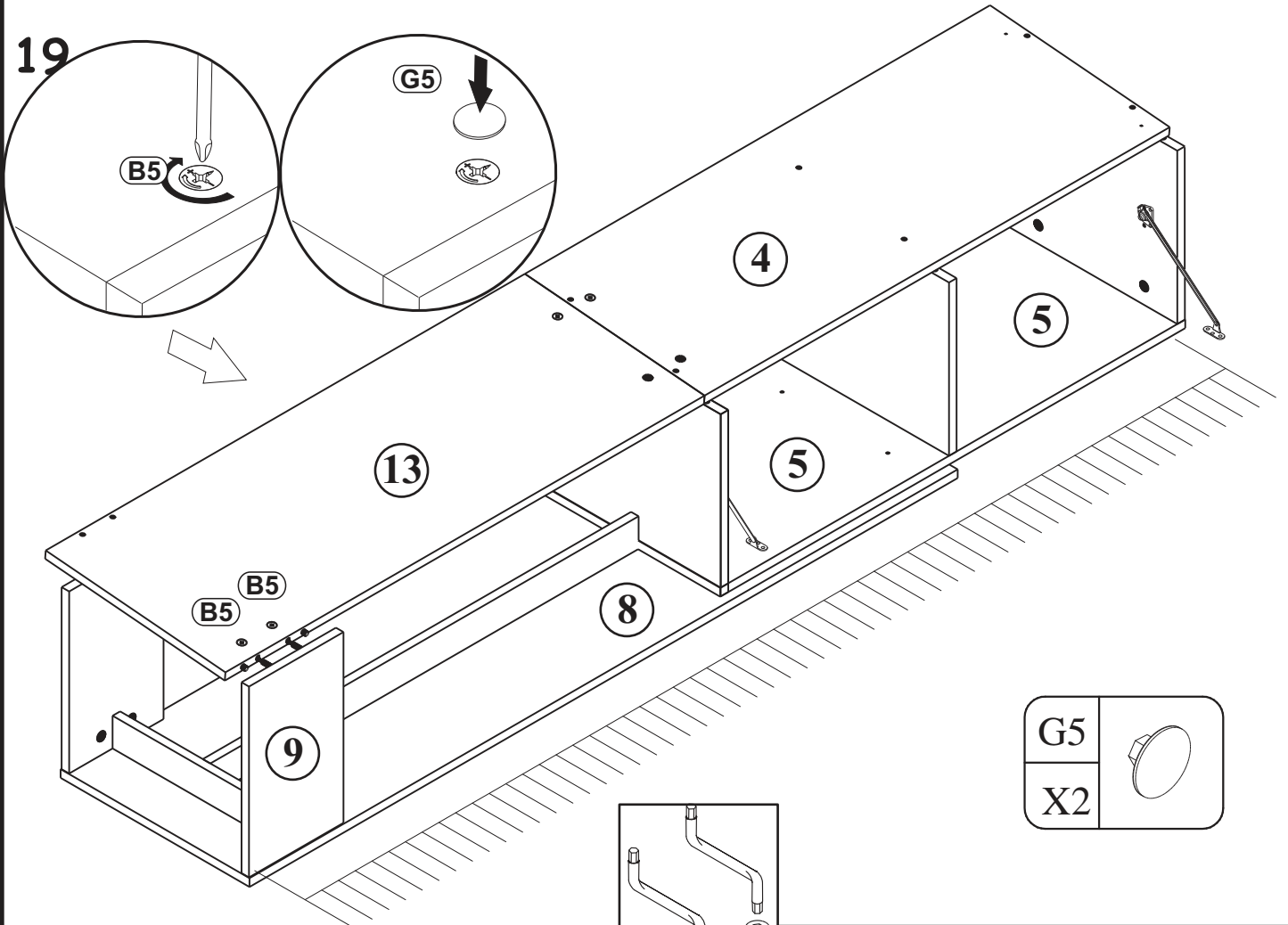
17



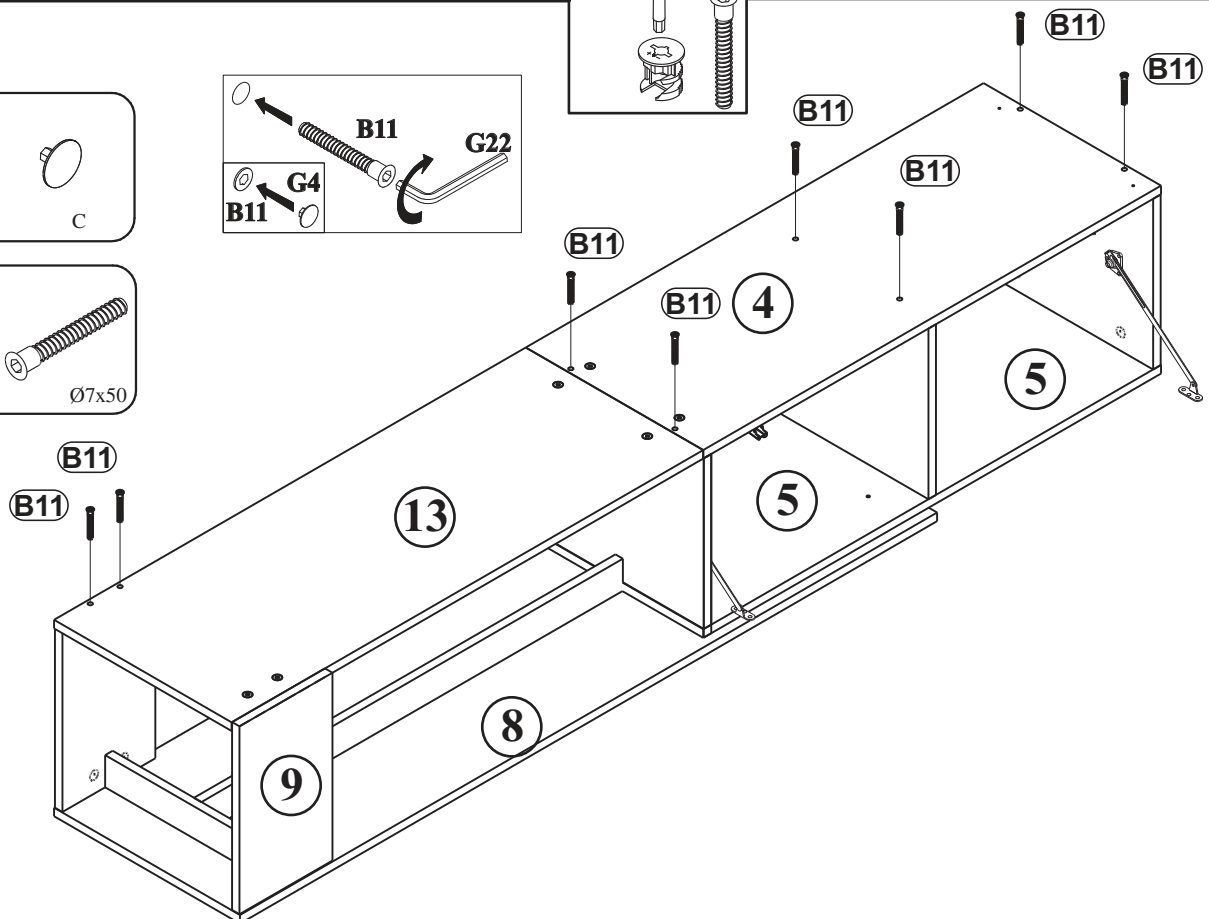
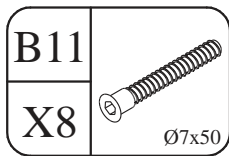
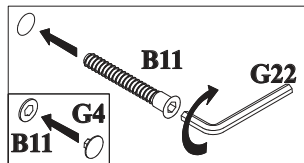
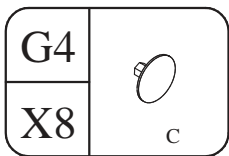
18




19

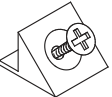


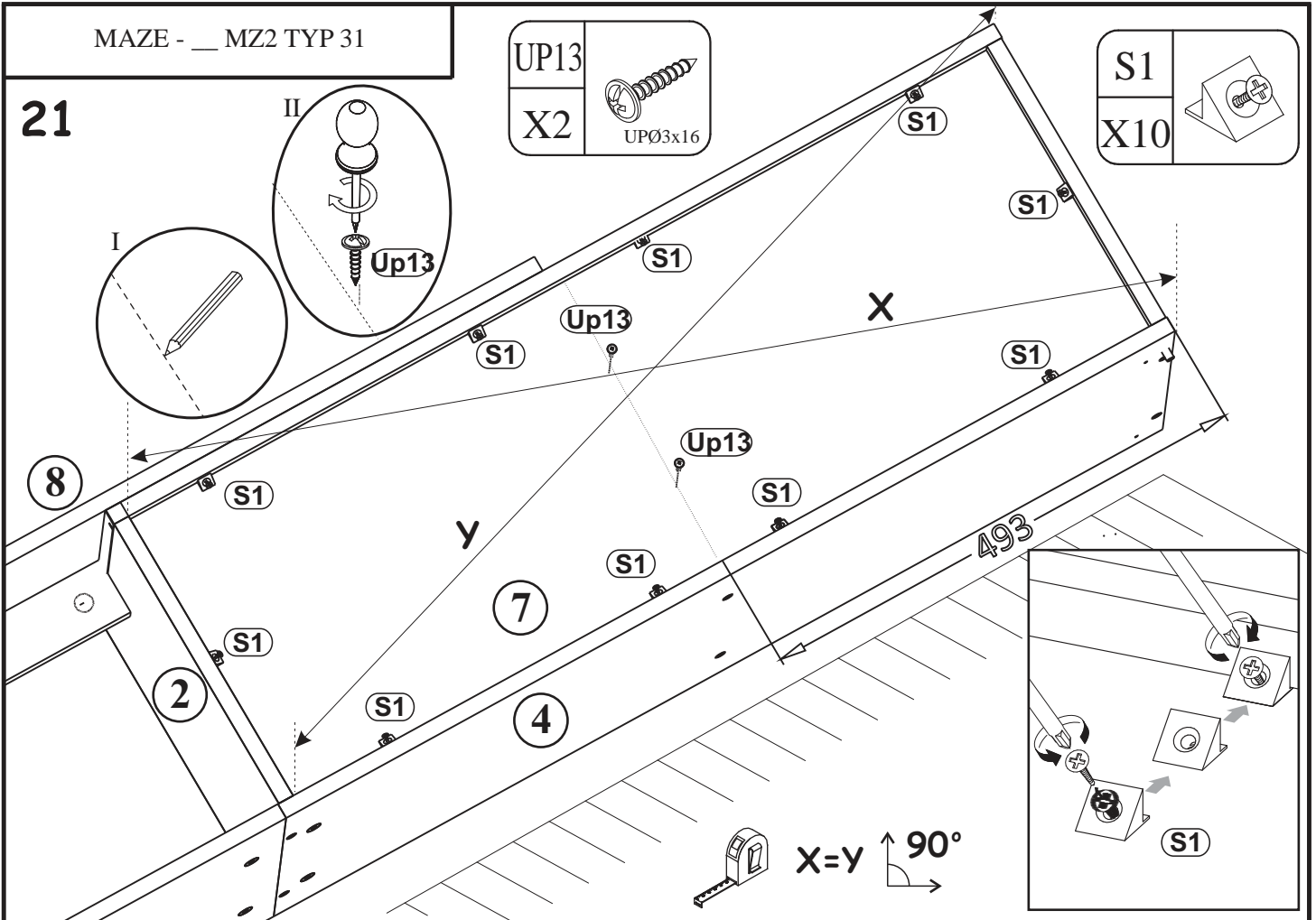
20



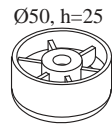
21

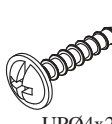
UP13	
X2	UPØ3x16


S1	
X10	

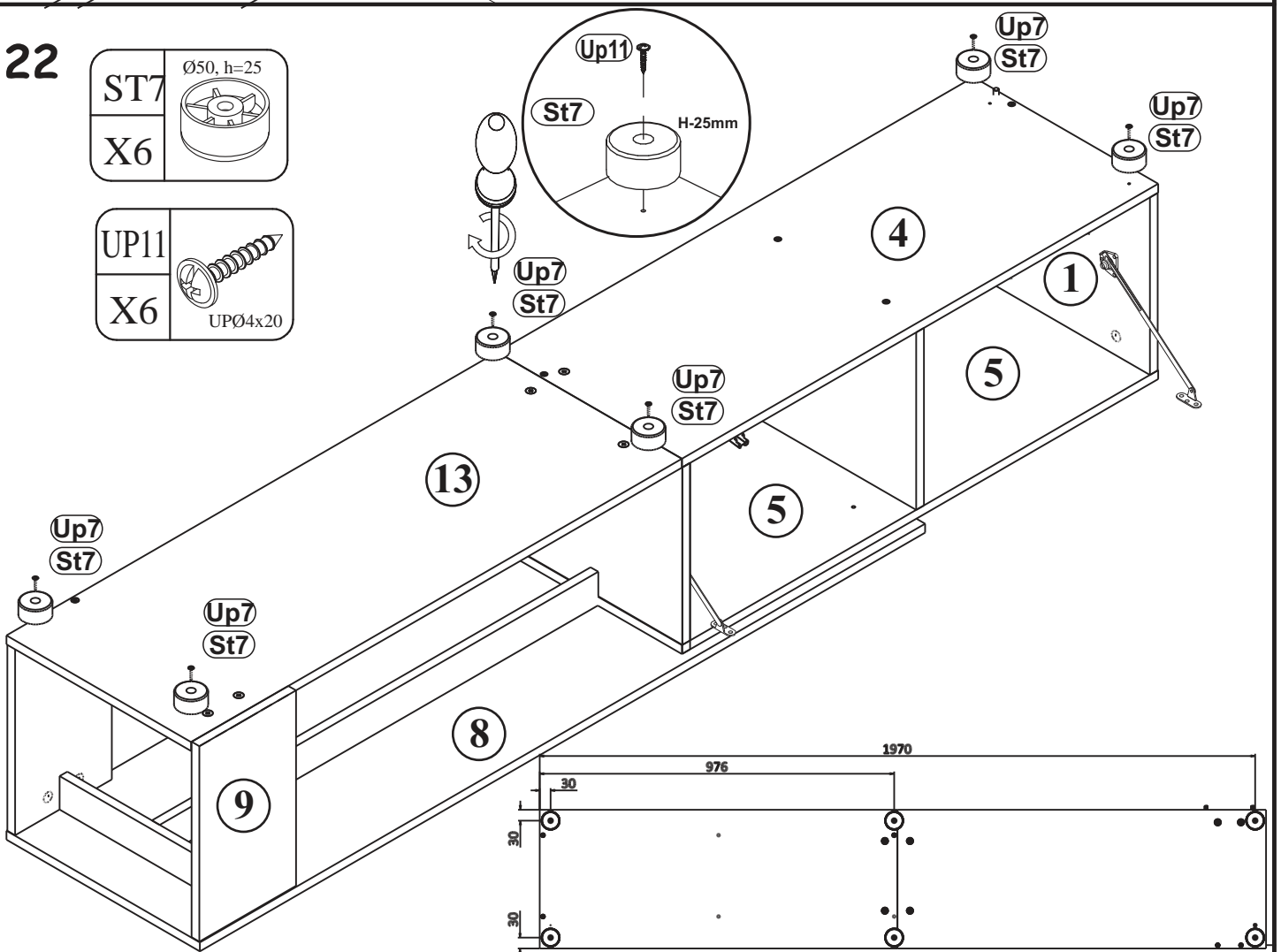


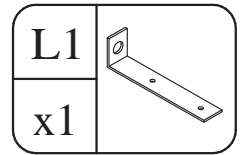
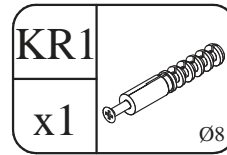
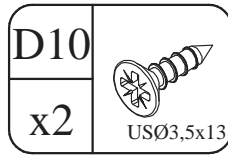
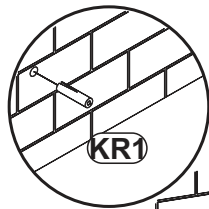
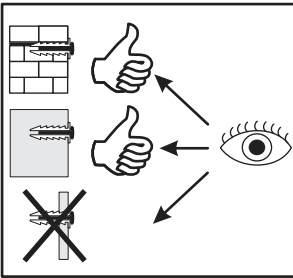
22

ST7	
X6	Ø50, h=25

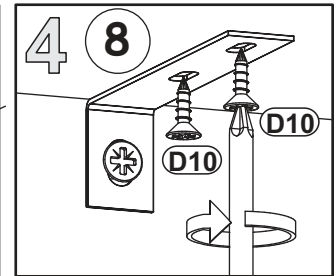
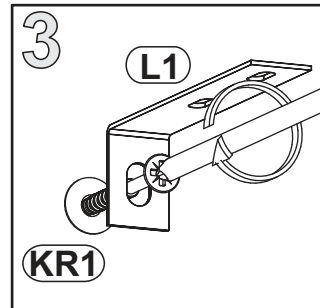
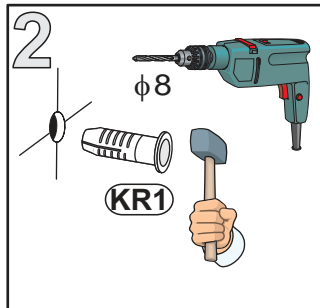
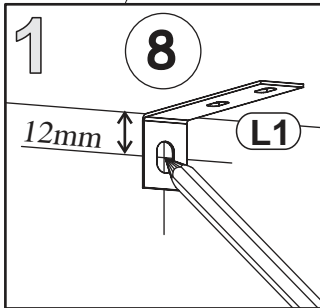
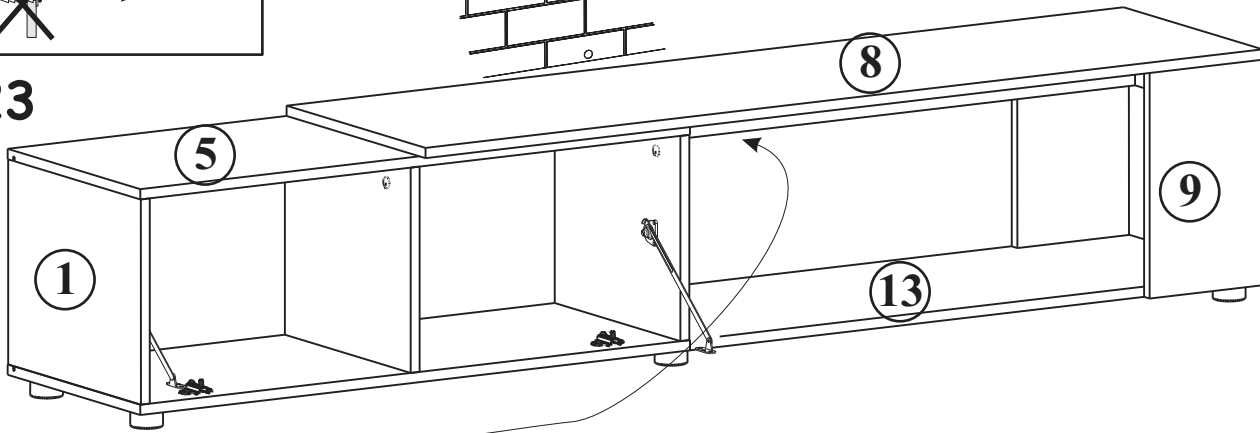
UP11	
X6	UPØ4x20

UP11	
St7	H-25mm

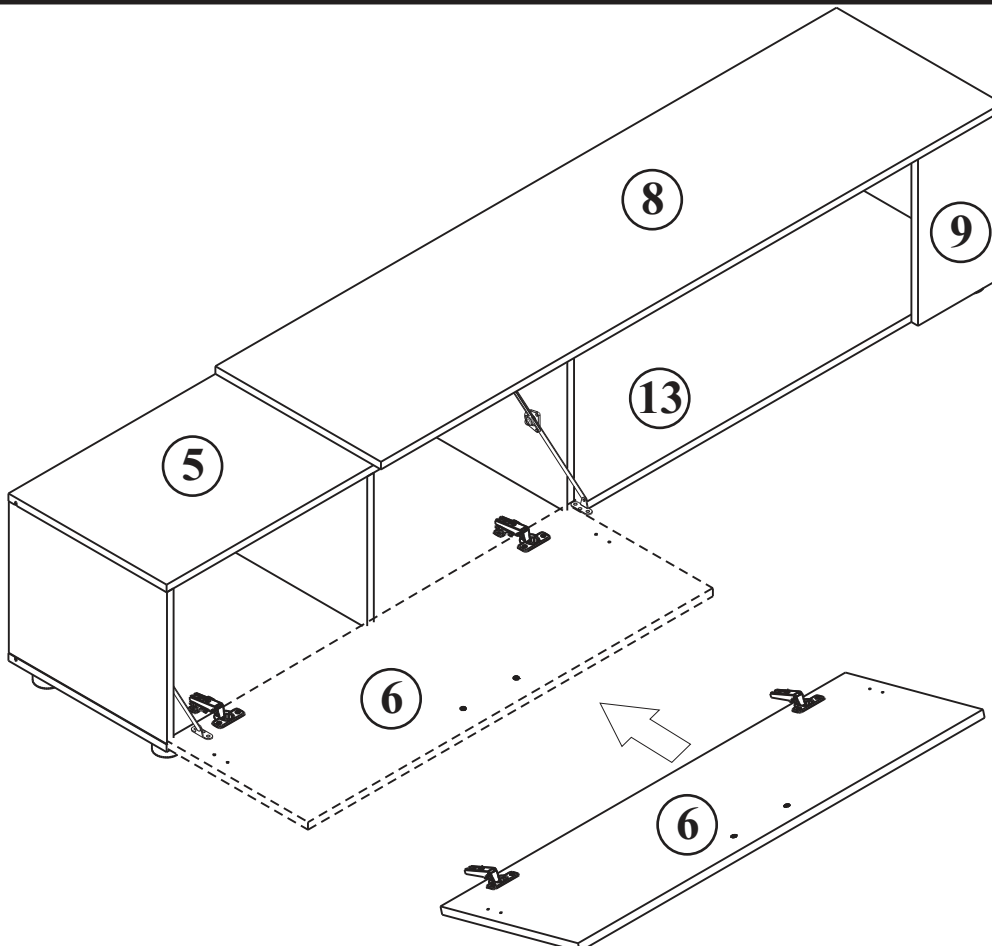




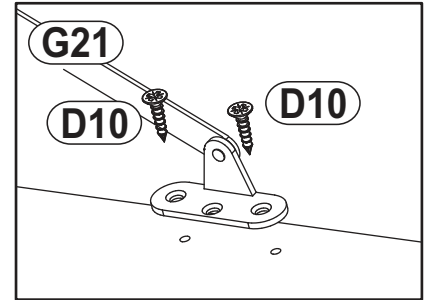
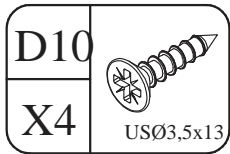
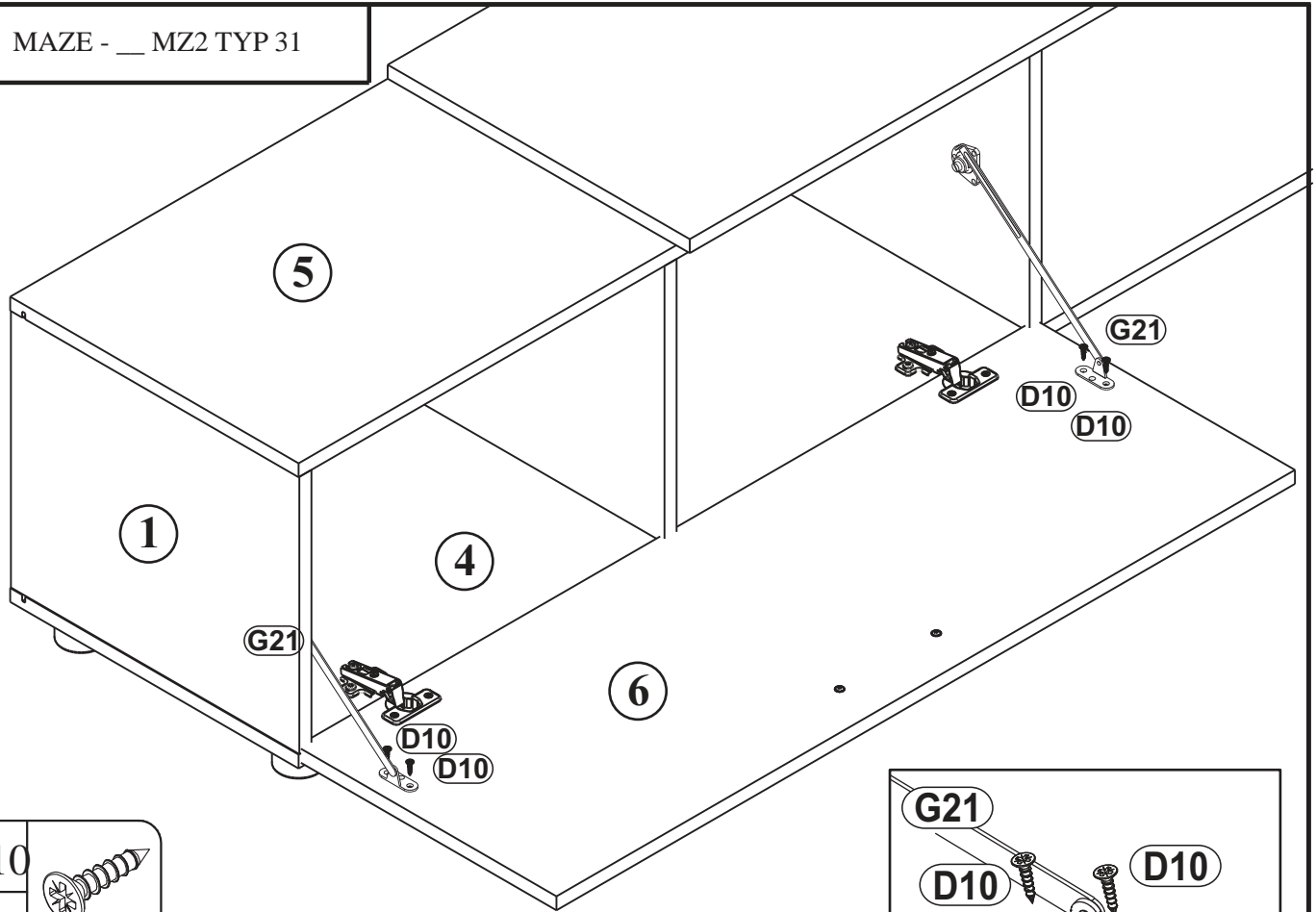
23



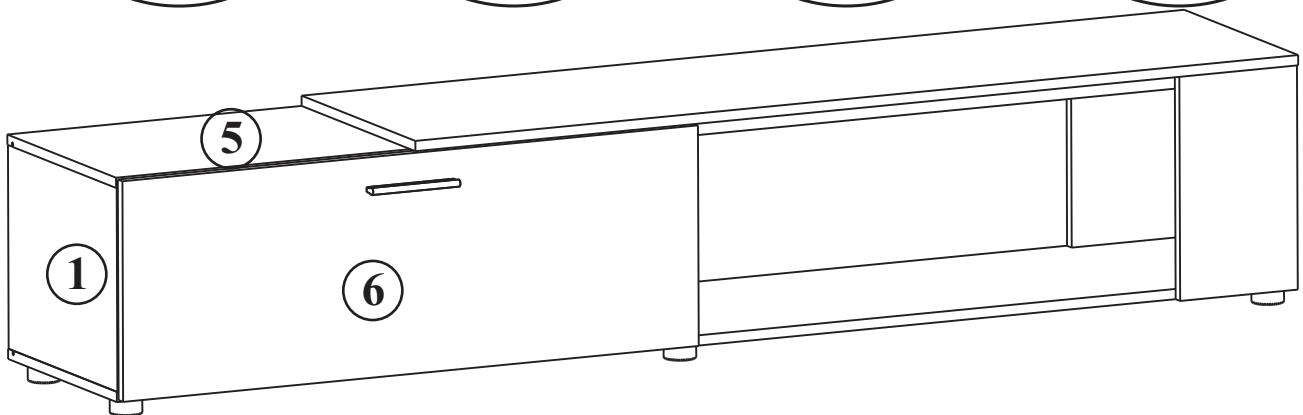
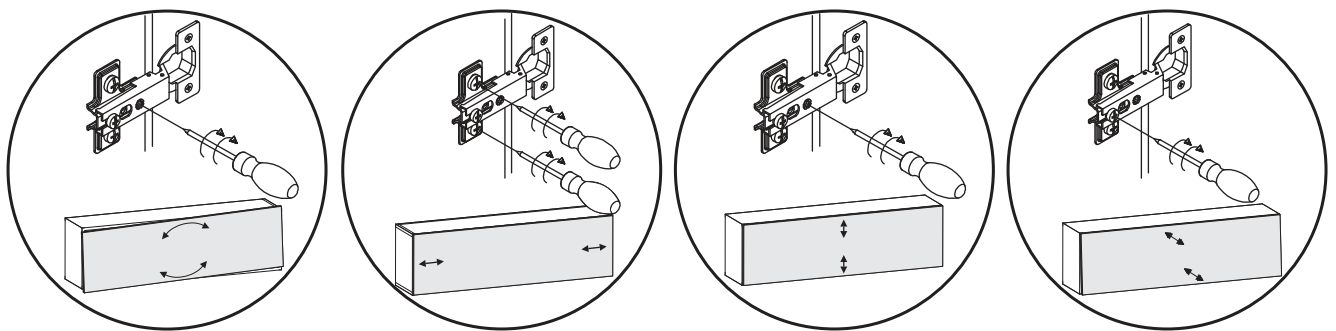
24



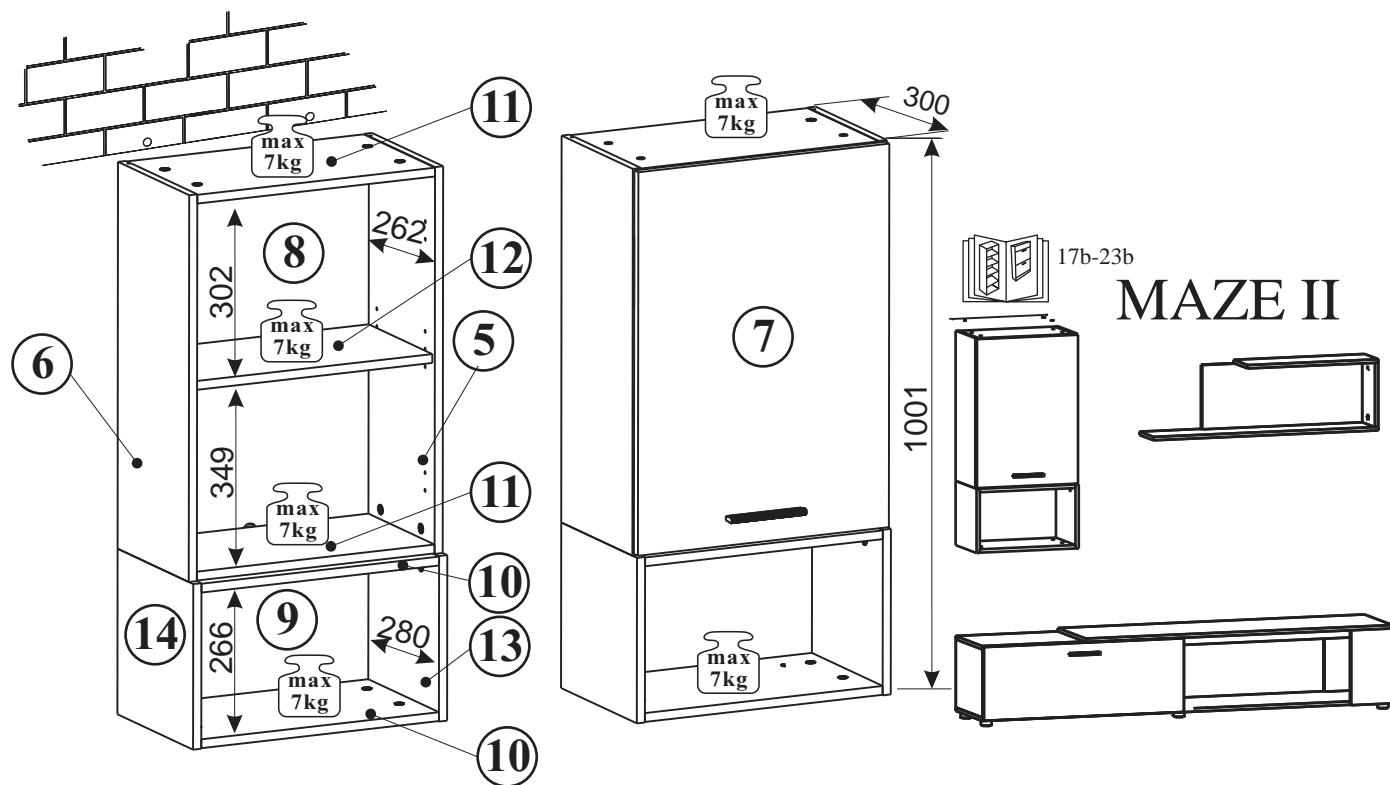
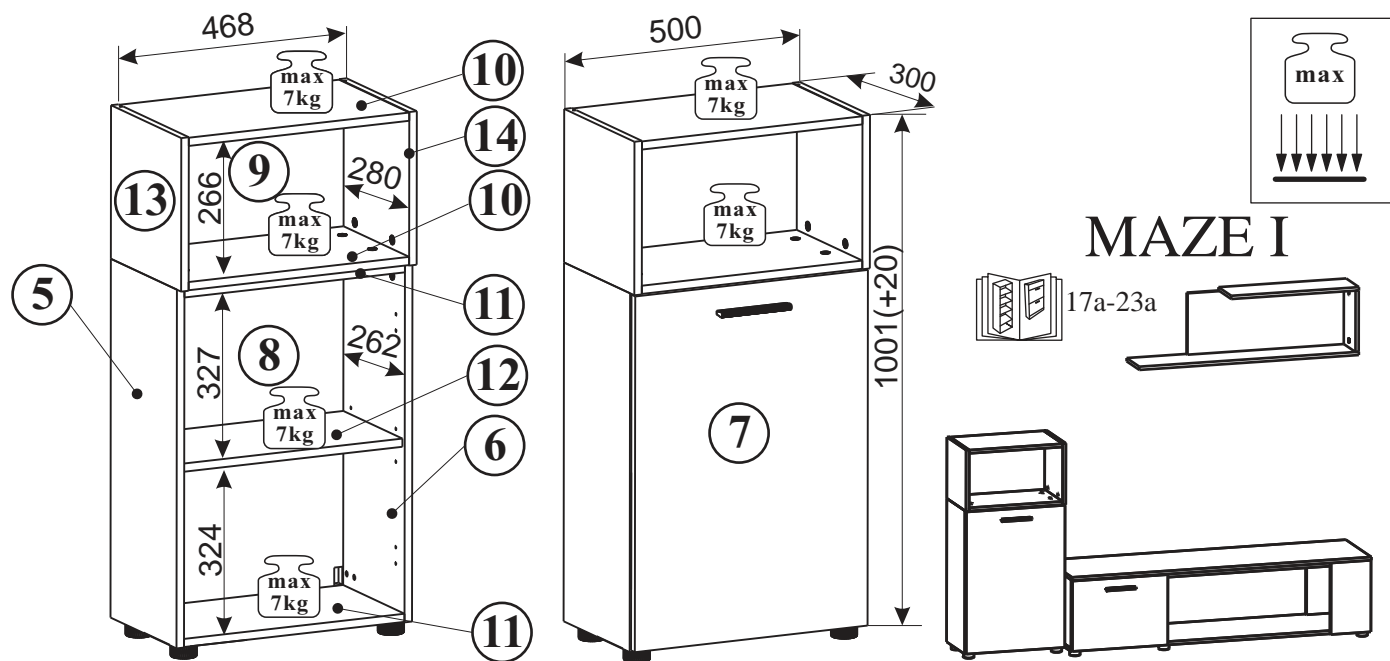
# 25



# 26

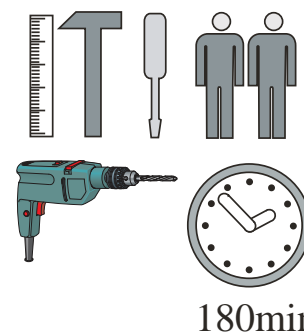


# MAZE - \_\_ MZ1-2 TYP 40

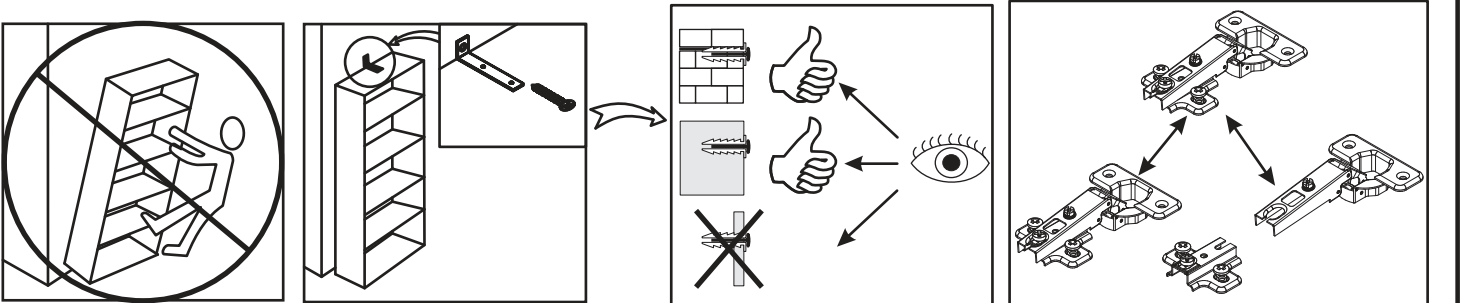
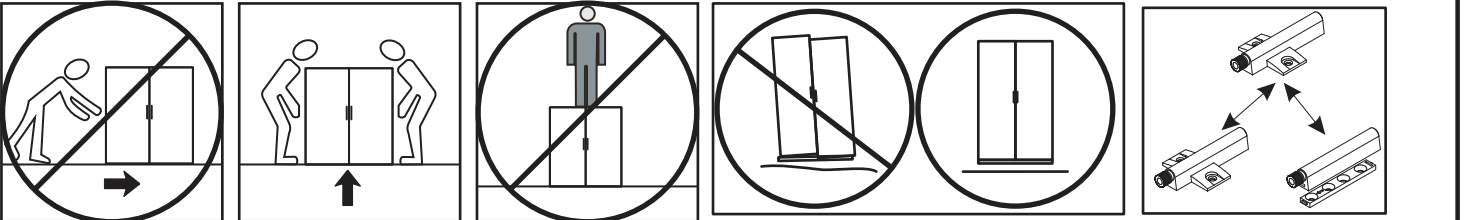
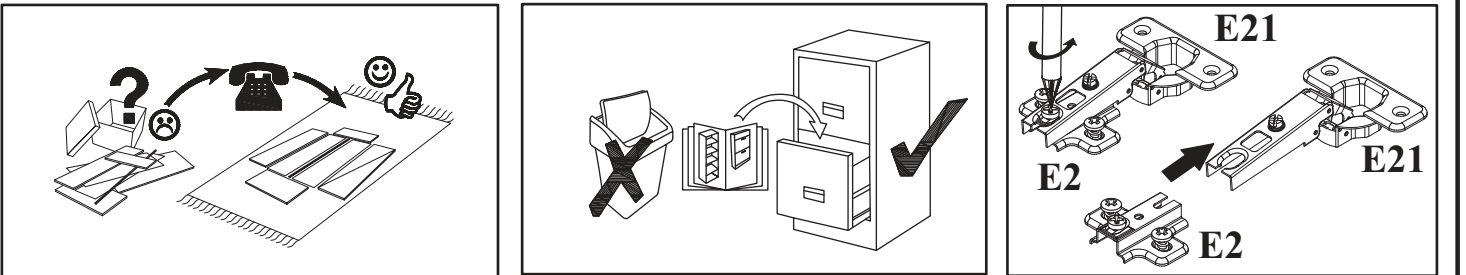
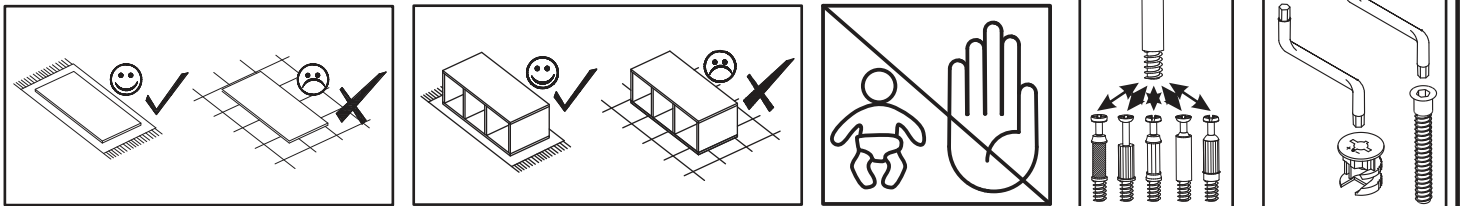
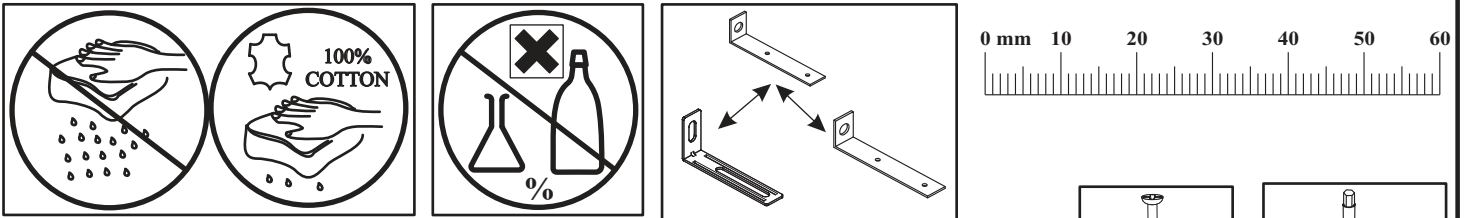


NO	DIM.		COL.-NO	QTY
5	701	282	16	1/1
6	701	282	16	1/1
7	695	494	16	1/1
8	679	480	3	1/1
9	480	278	3	1/1

NO	DIM.		COL.-NO	QTY
10	468	300	16	1/1
11	468	282	16	1/1
12	468	252	16	1/1
13	300	300	16	1/1
14	300	300	16	1/1

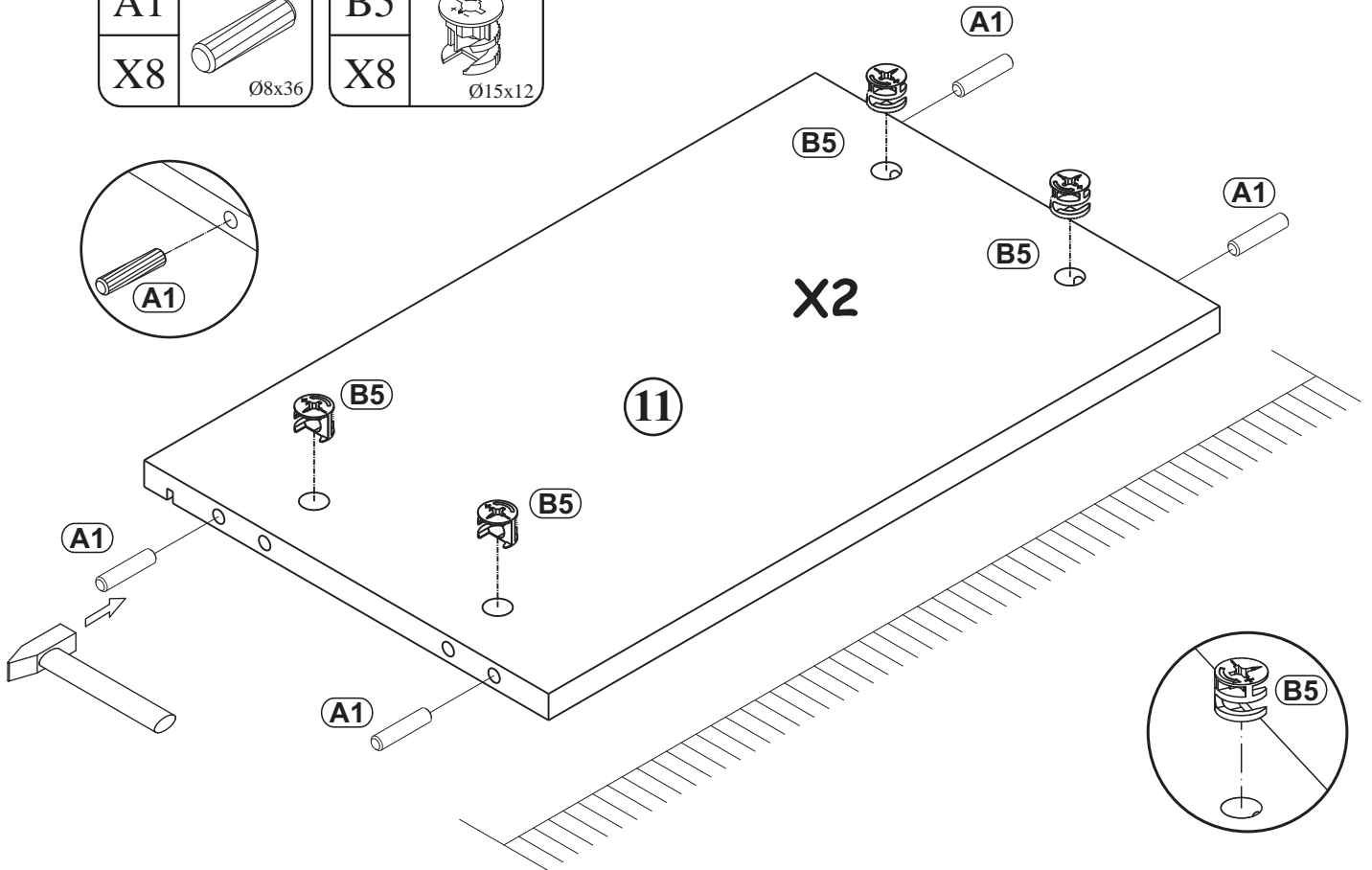
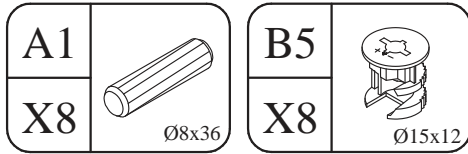


A1 X16 Ø8x36	B4 X16 34	B5 X24 Ø15x12	G5 X24	B2 X4 Ø7x62	L1 x1
A3 X4 Ø8x47	KL X1 L-128mm.	UP6 X2 UPØ4x30	S1 X12	Z5 X4 Ø10	KR3 X2 Ø10
ST7 X4 Ø50, h=25	UP11 X4 UPØ4x20	D10 x6 USØ3,5x13	E21 x2 Ø35 H=0	E2 x2 H=0	G2 x1
Z2 X6 Ø5	G7 X4	ZXL x1	ZXP x1	D6 X4 USØ3,5x30	

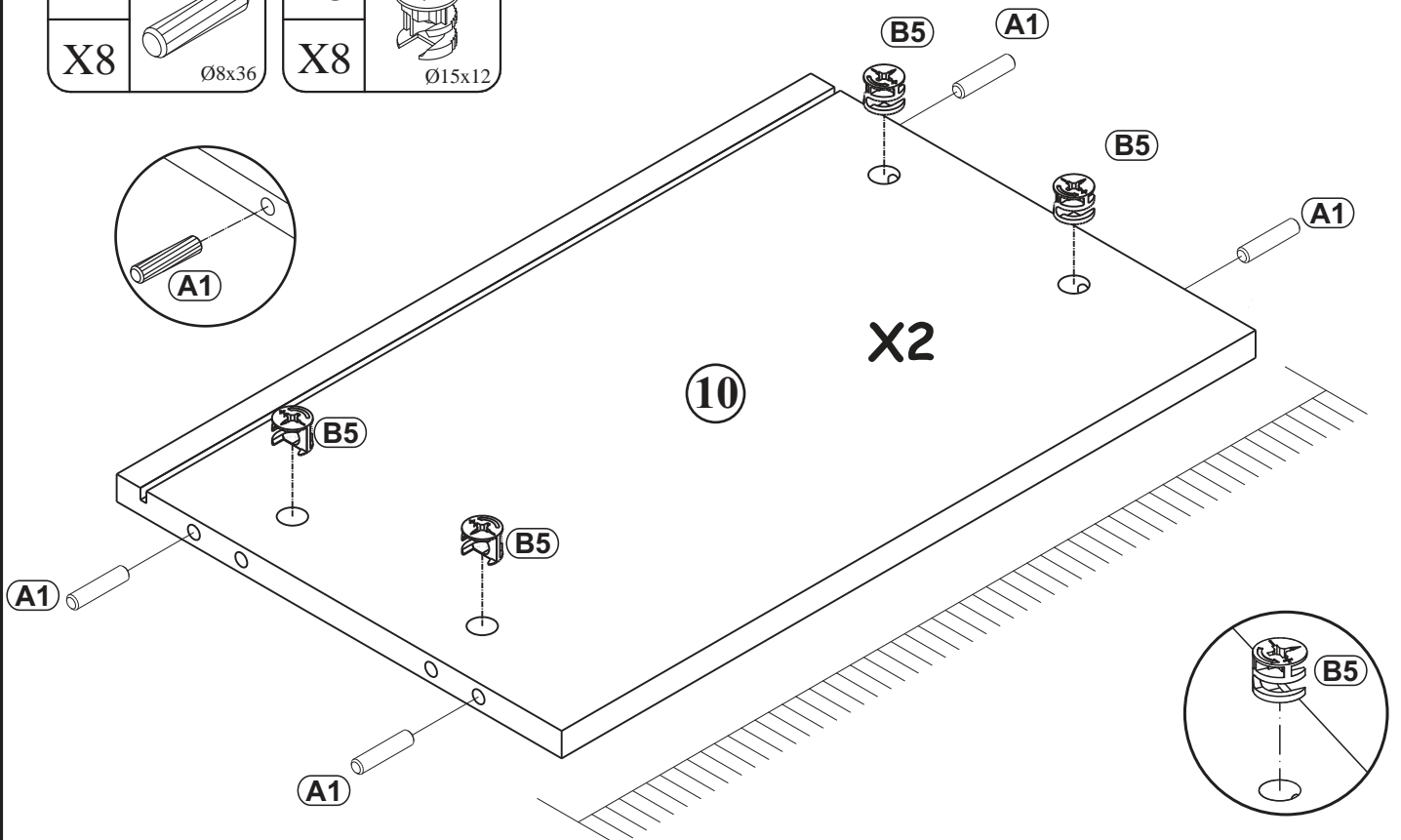
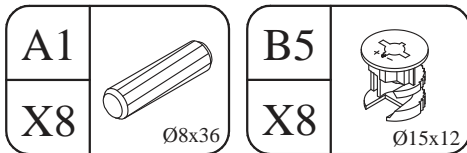




1

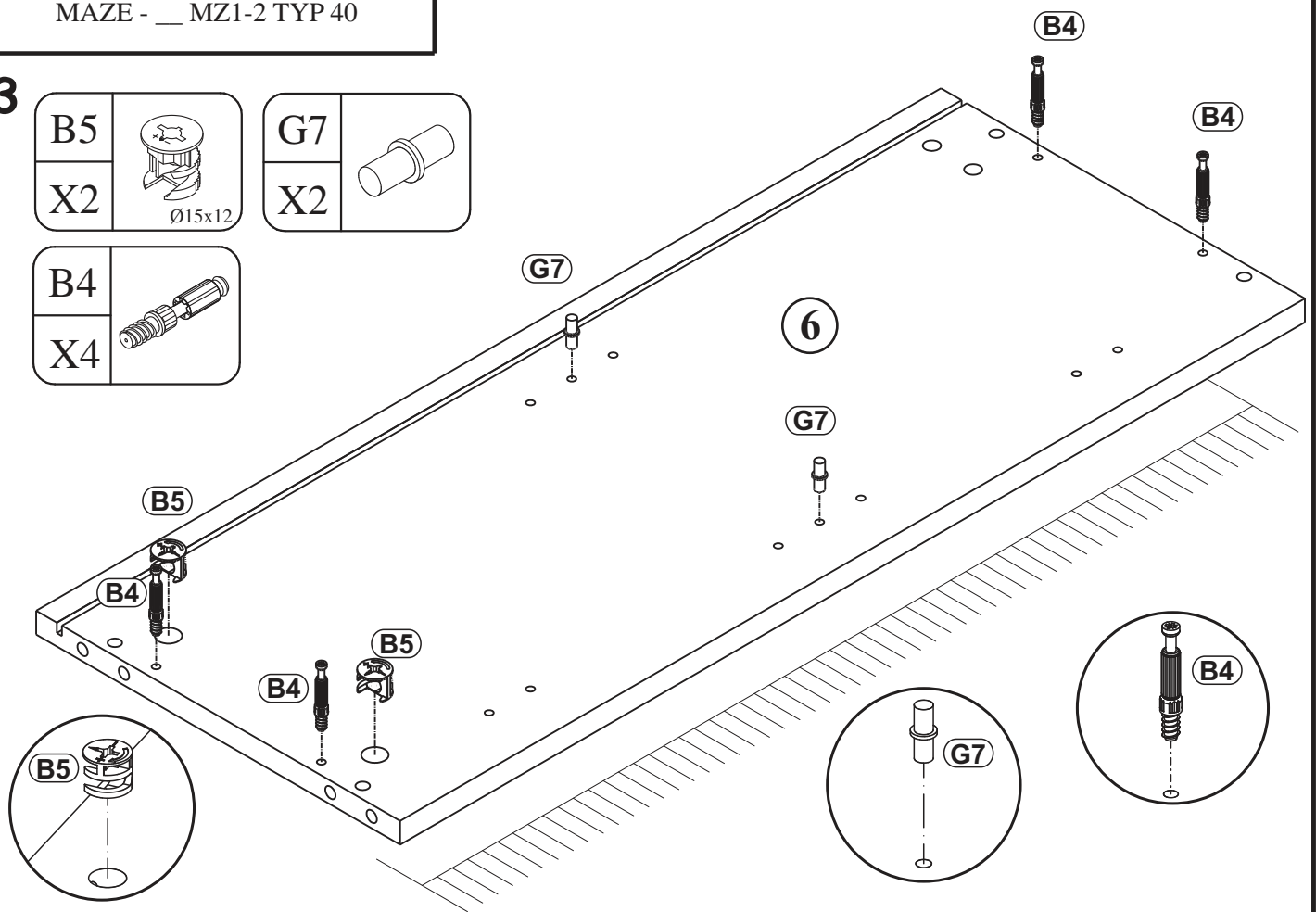
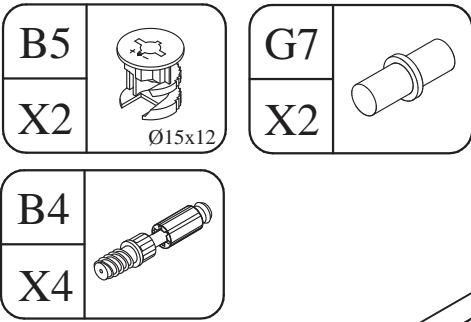


2

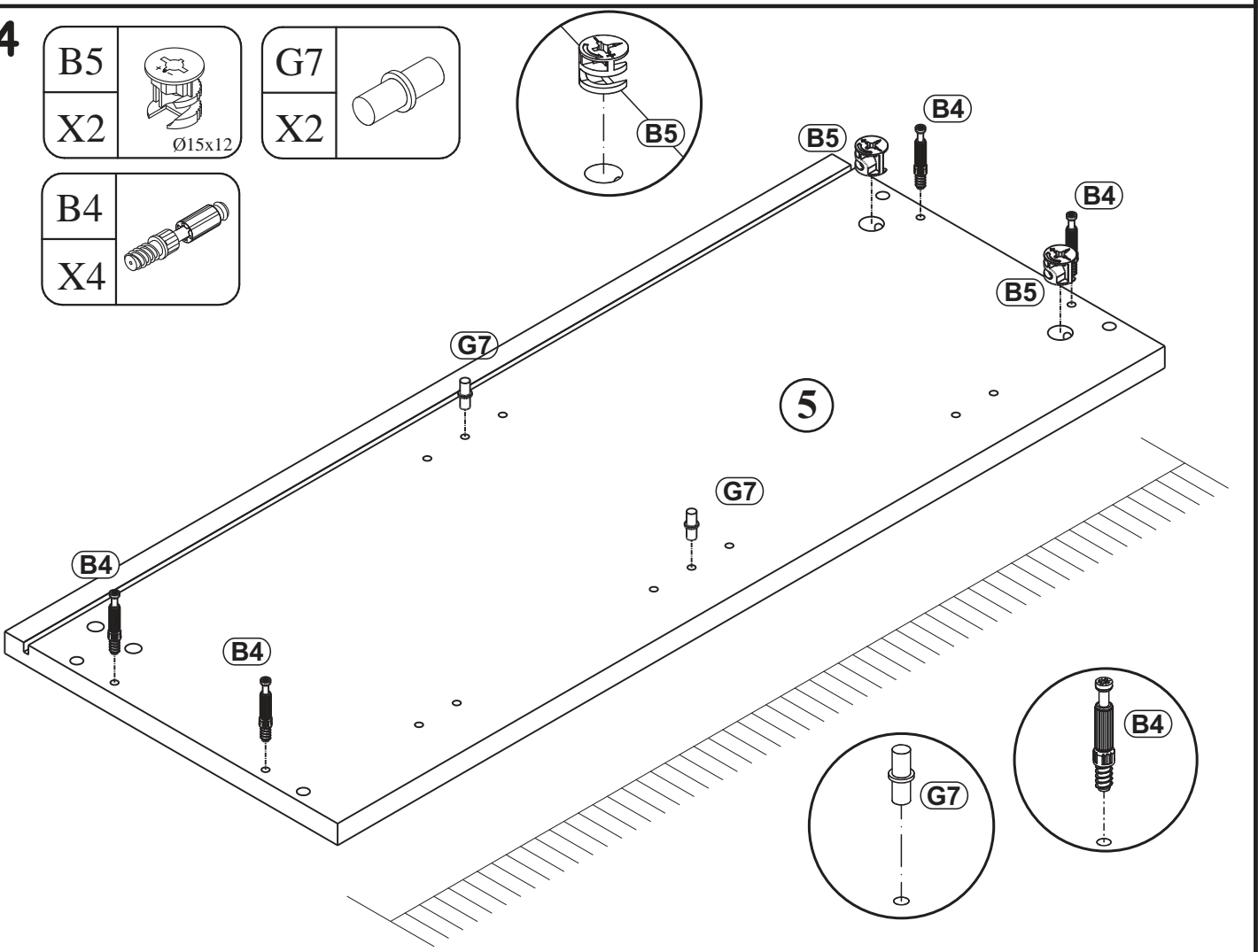
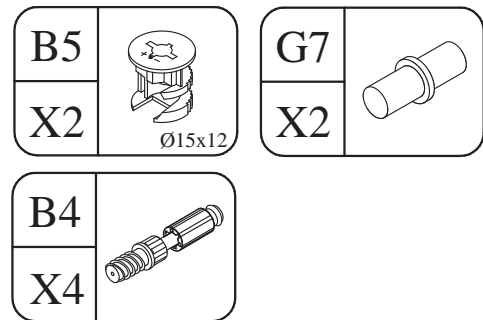





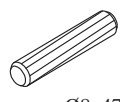
3



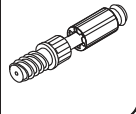
4

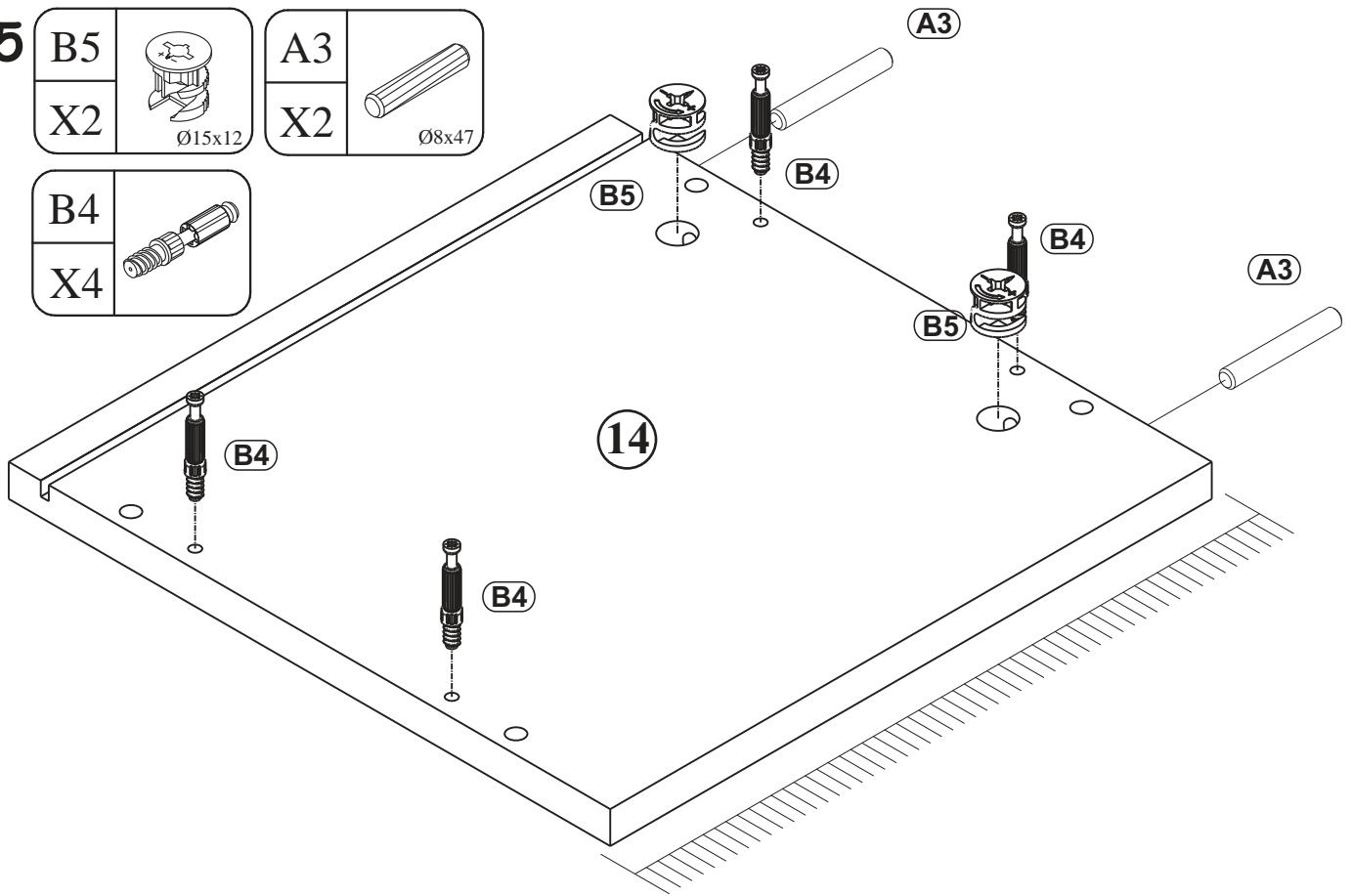


5


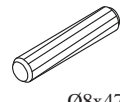
B5		A3	
X2	Ø15x12	X2	Ø8x47

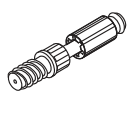
B4	
X4	

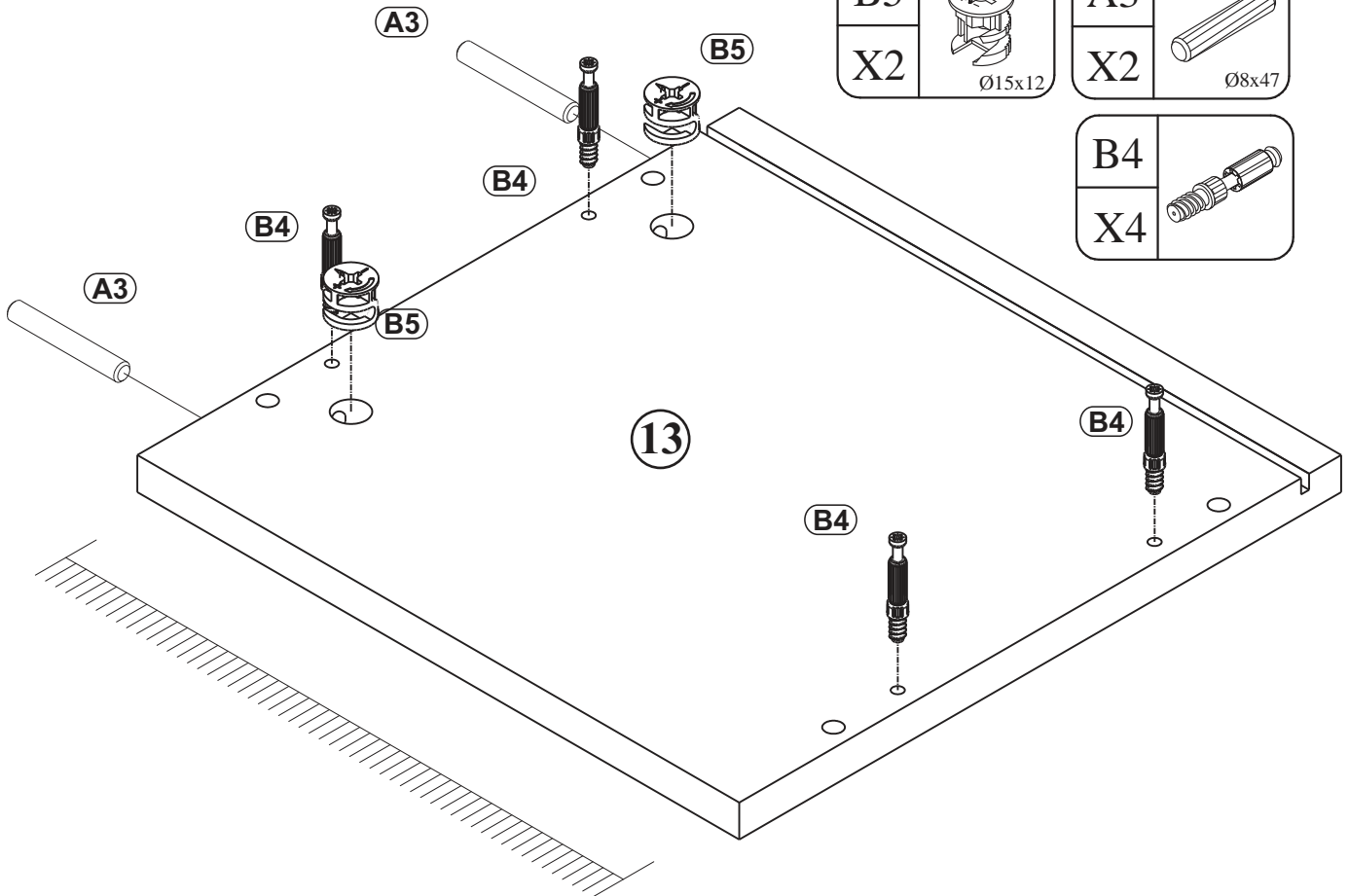


6

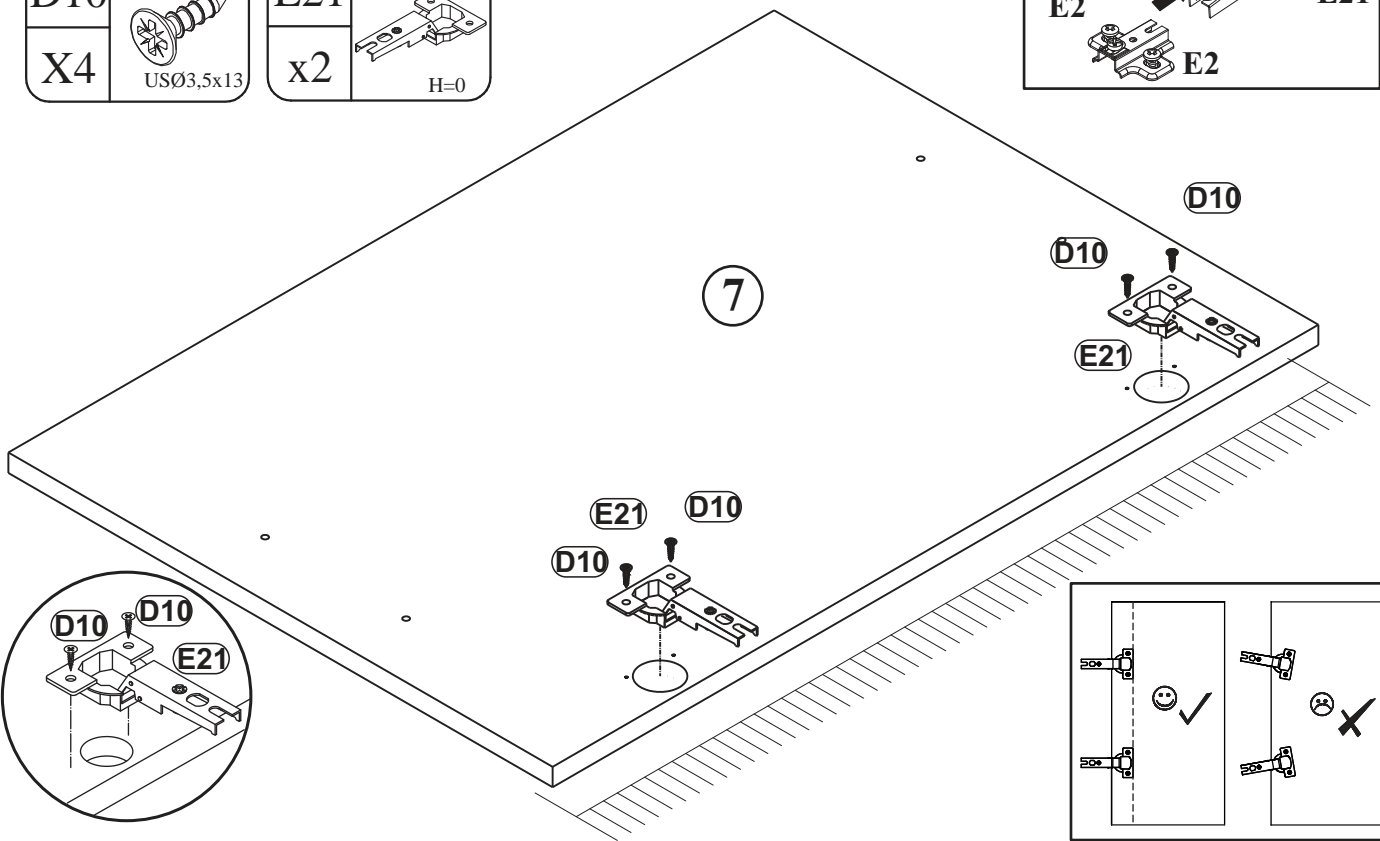
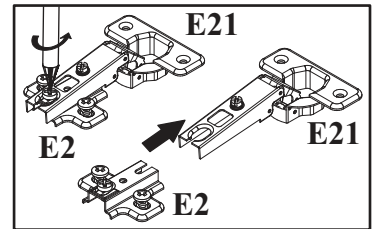
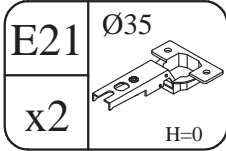
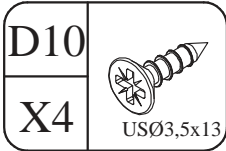
B5		A3	
X2	Ø15x12	X2	Ø8x47

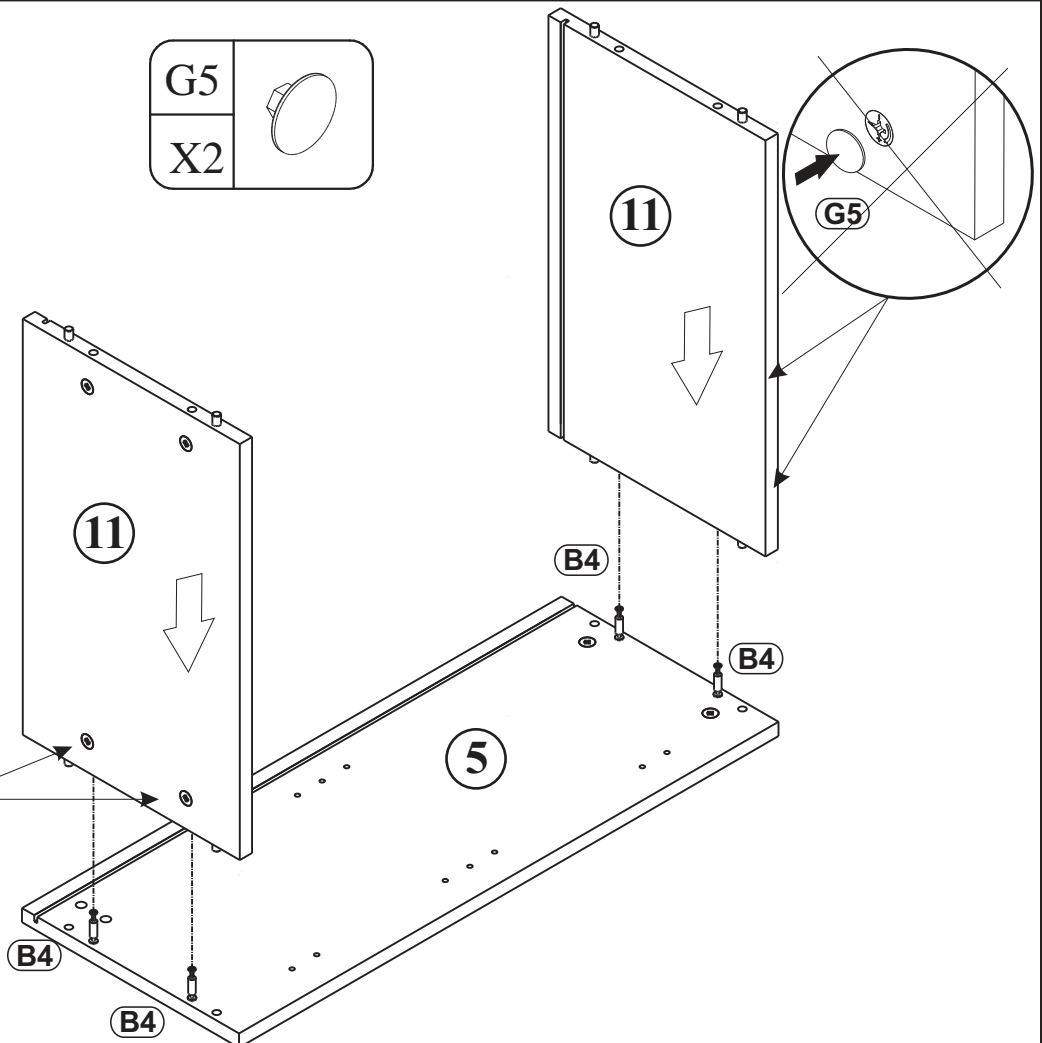
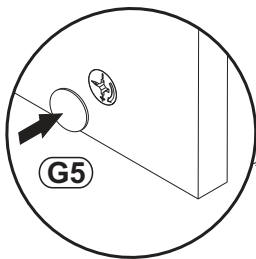
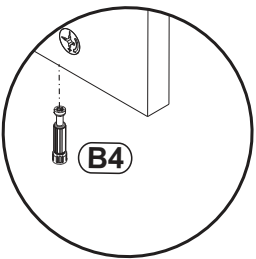
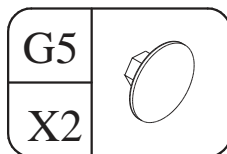
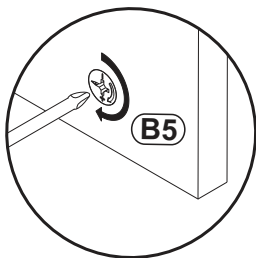
B4	
X4	



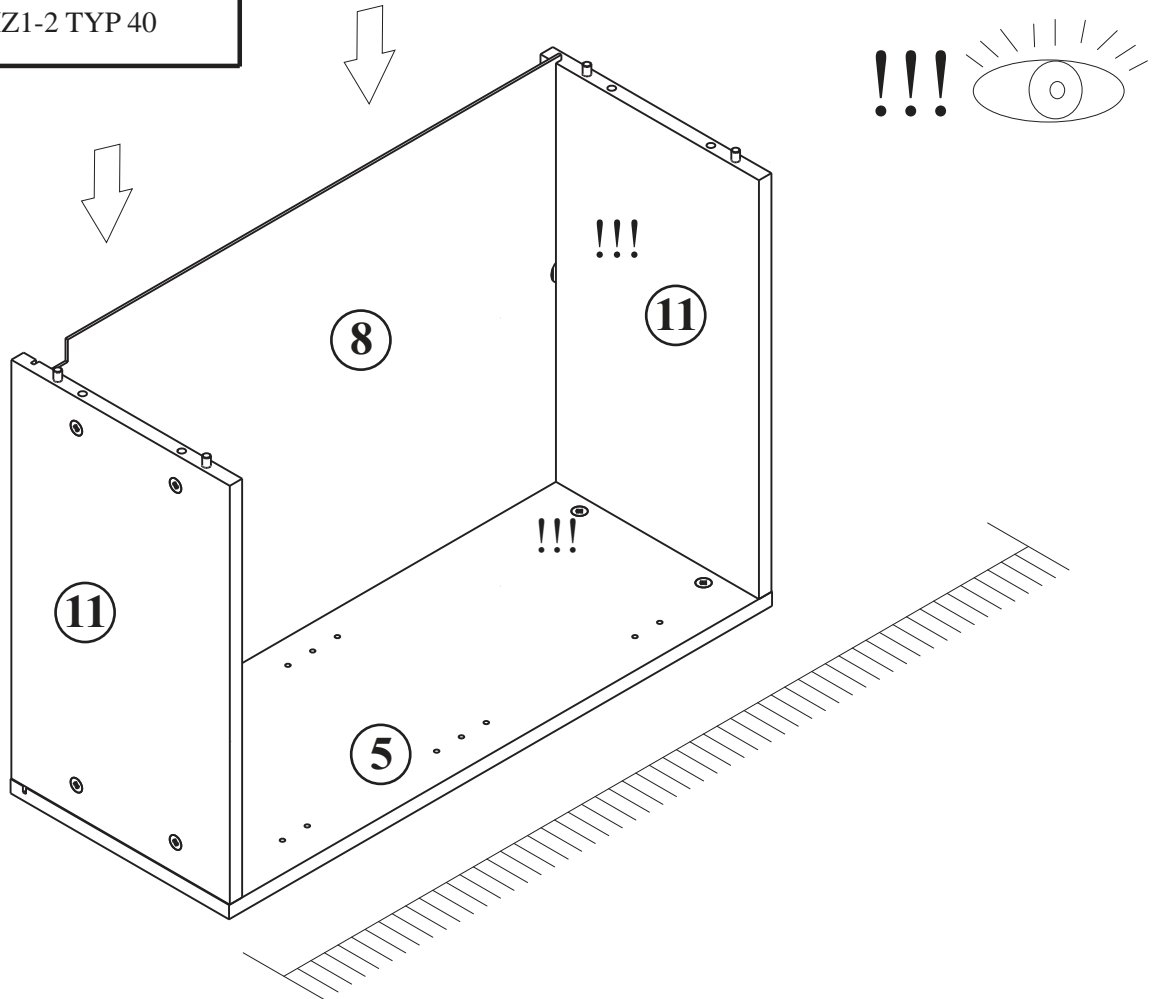
7



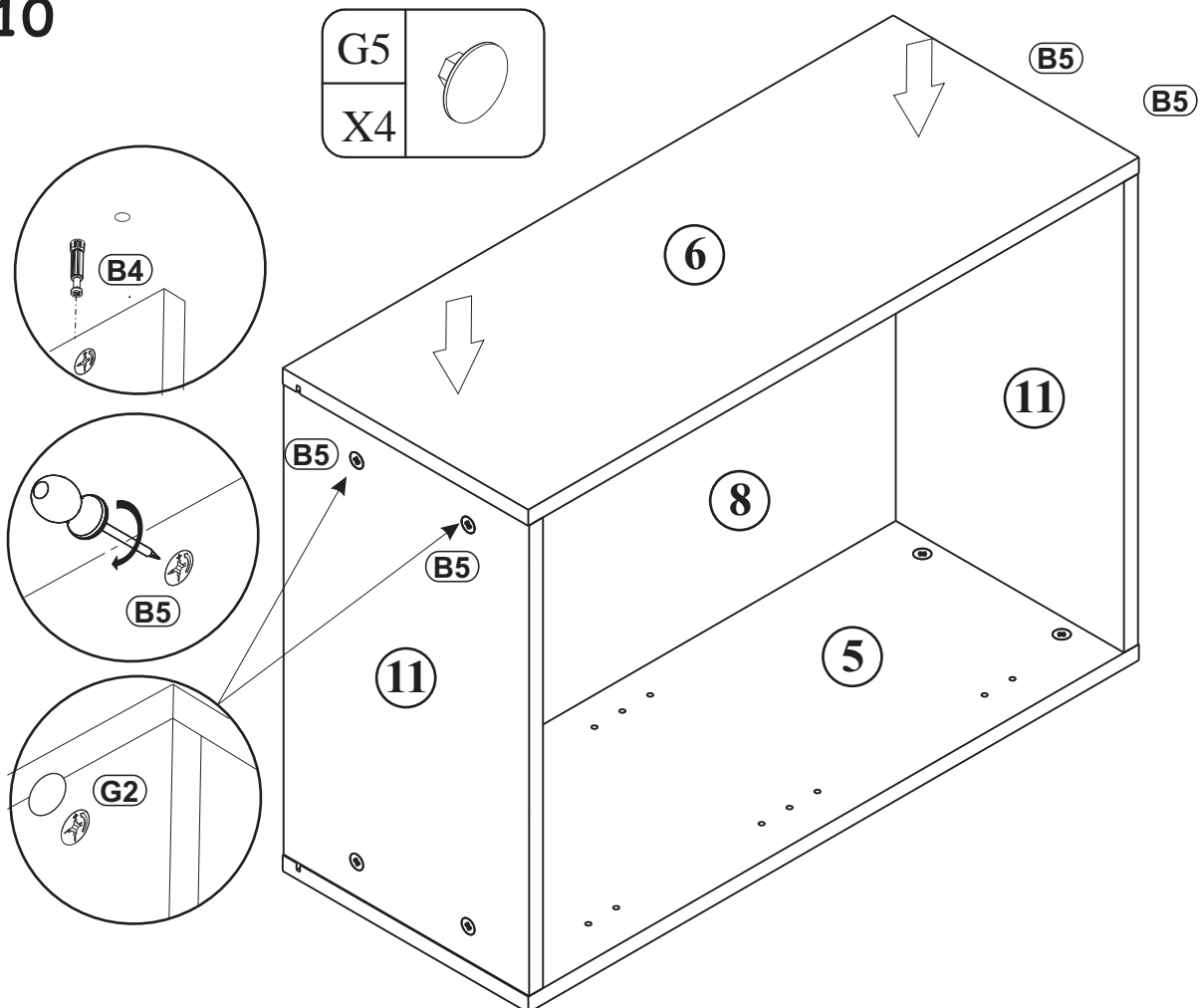
8



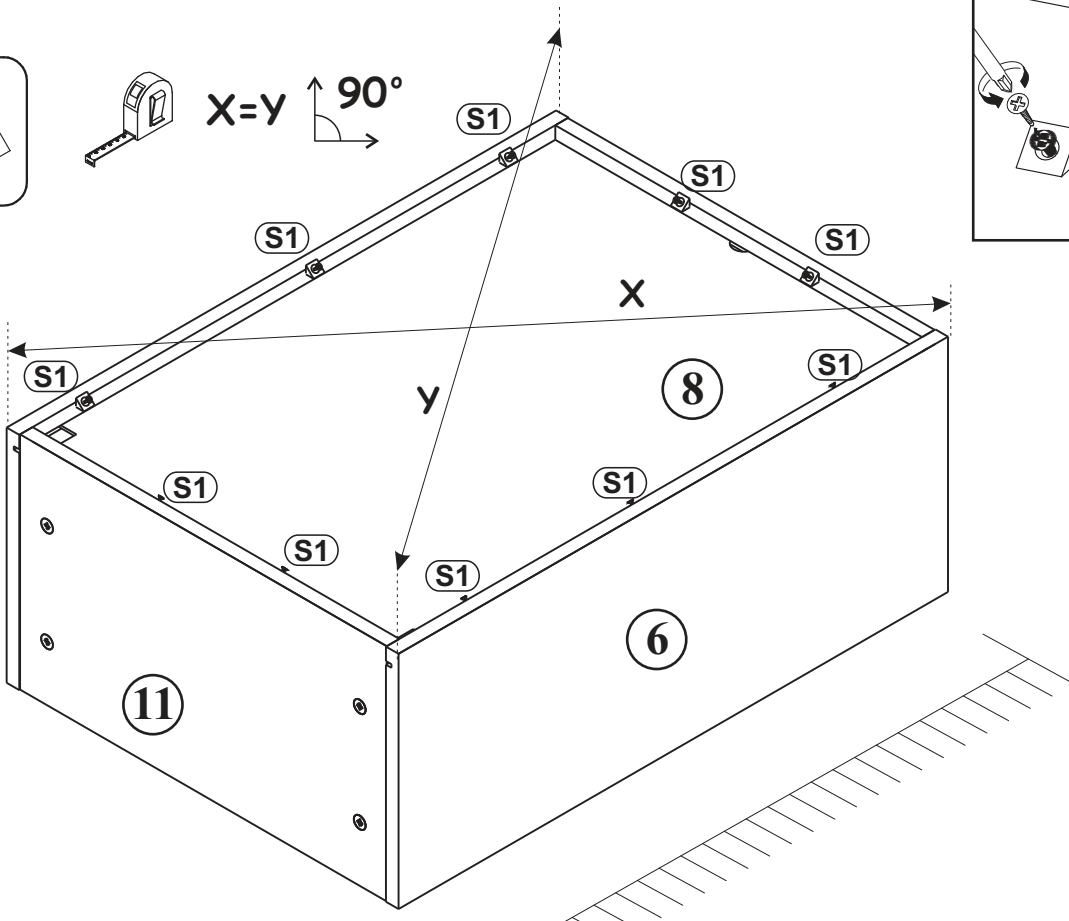
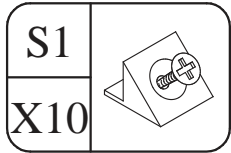
9



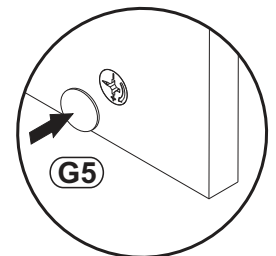
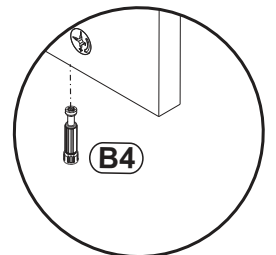
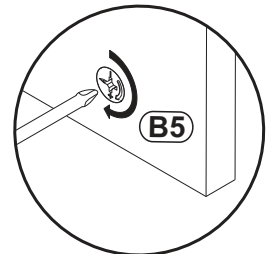
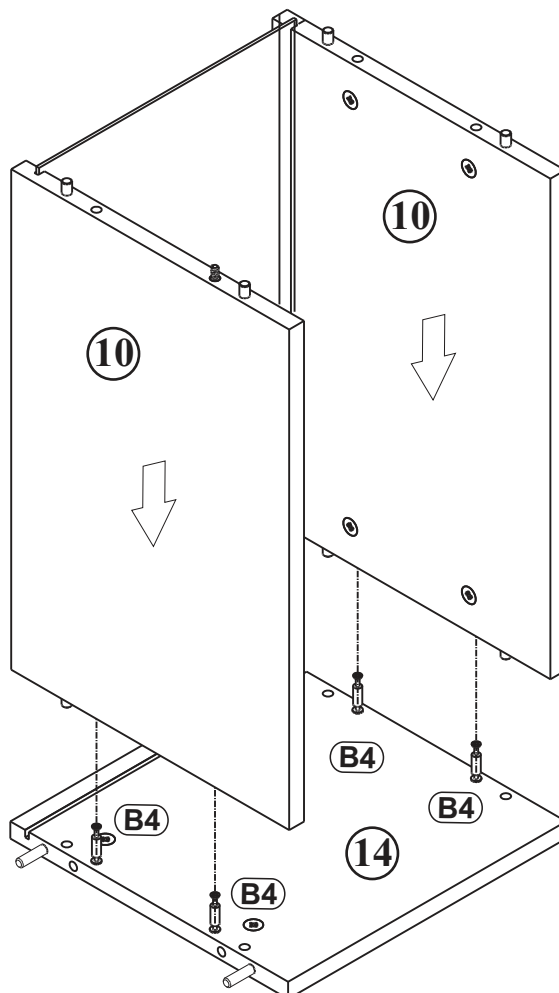
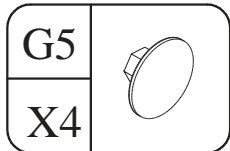
10



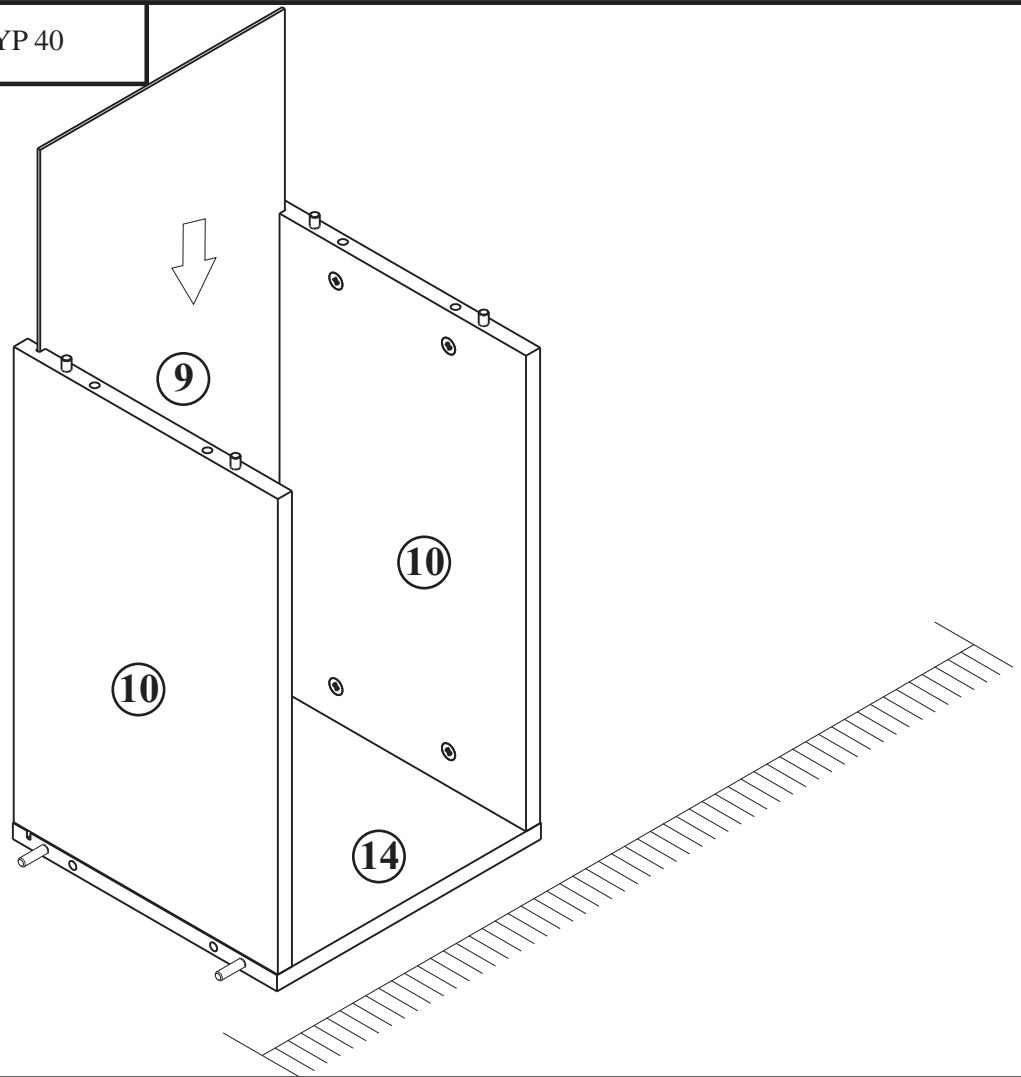
# 11



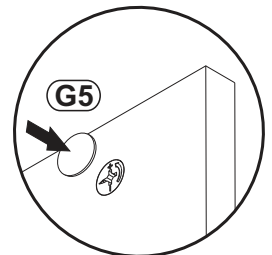
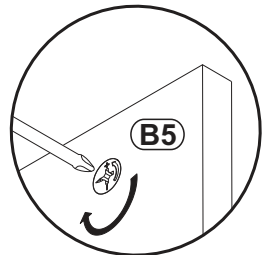
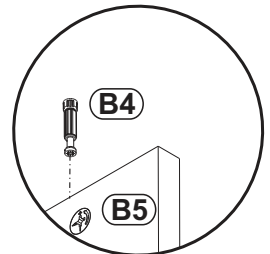
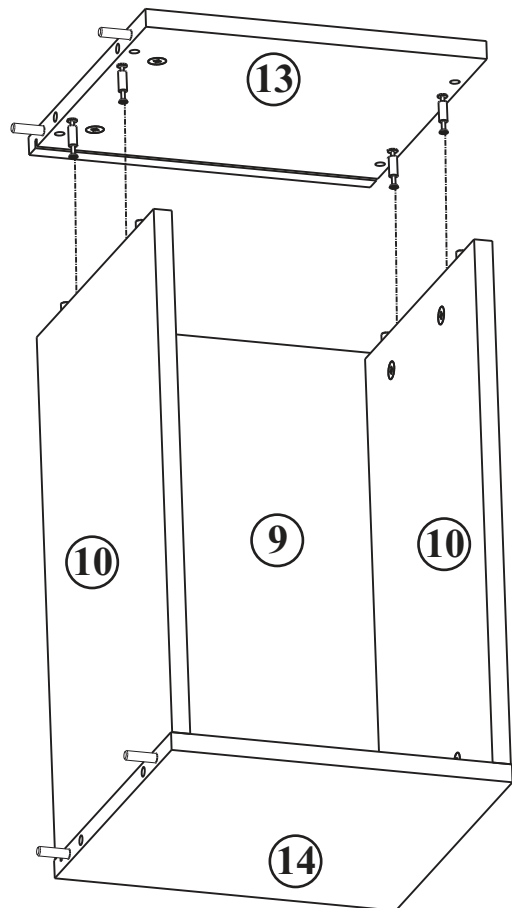
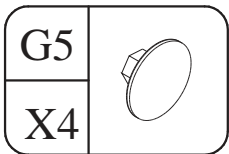
# 12



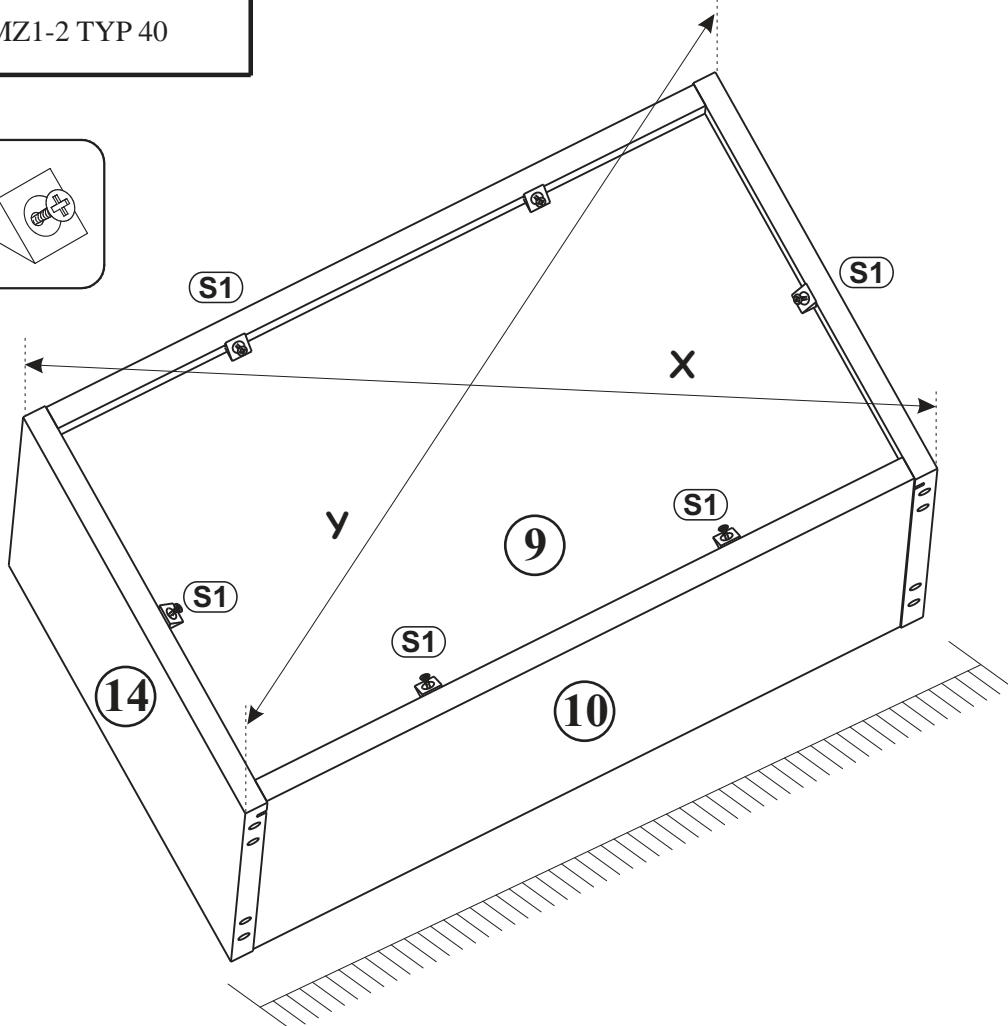
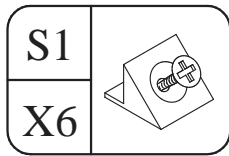
# 13



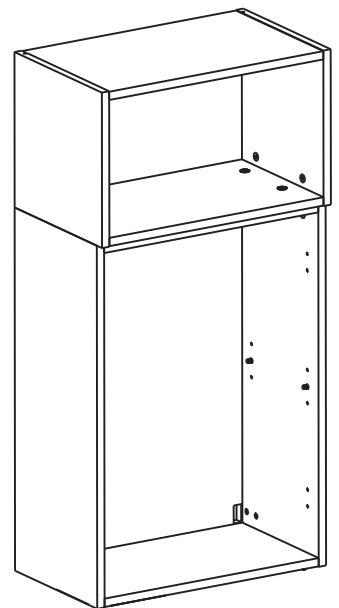
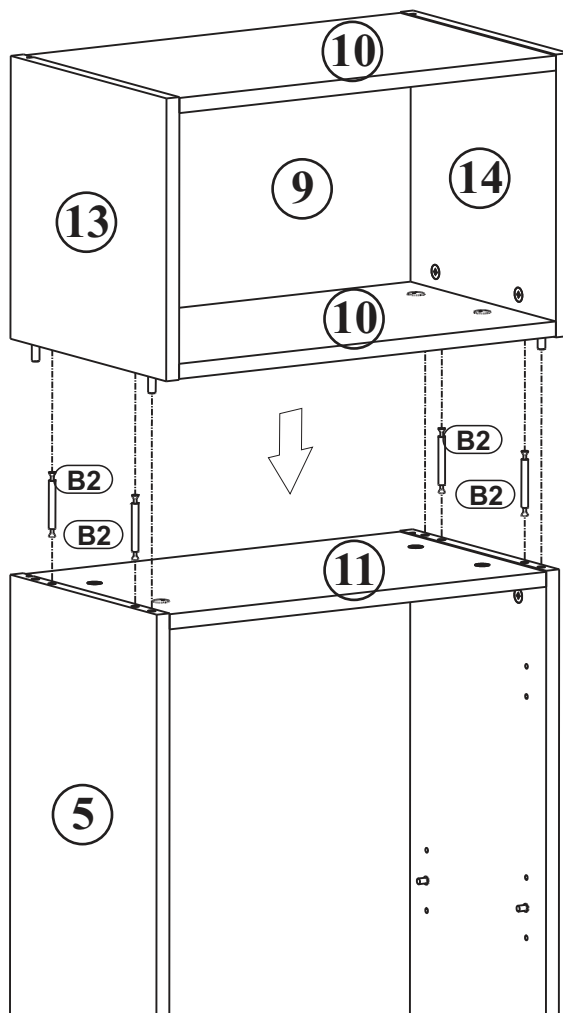
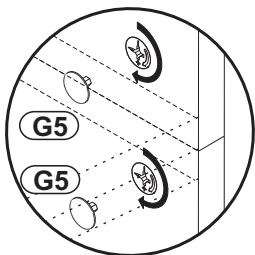
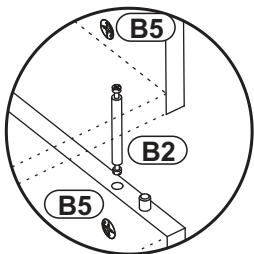
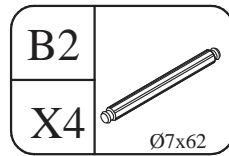
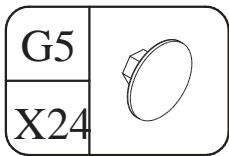
# 14



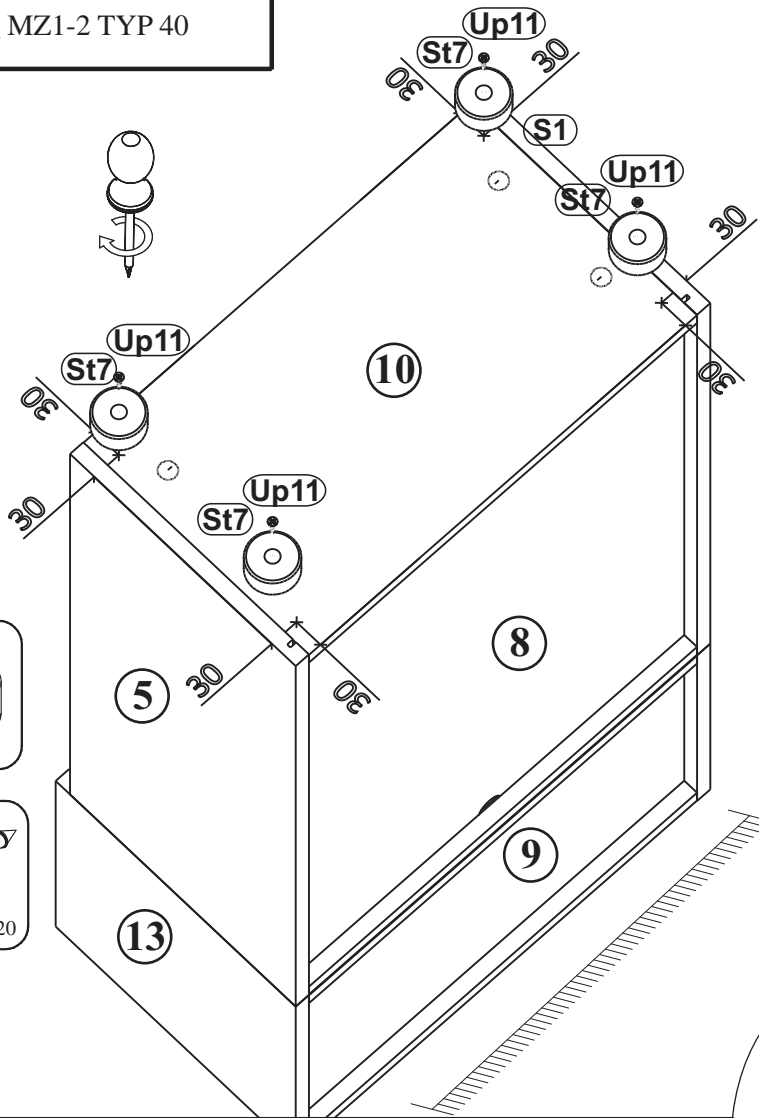
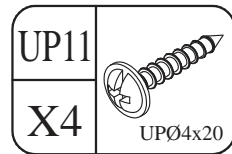
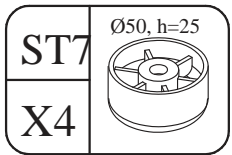
# 15



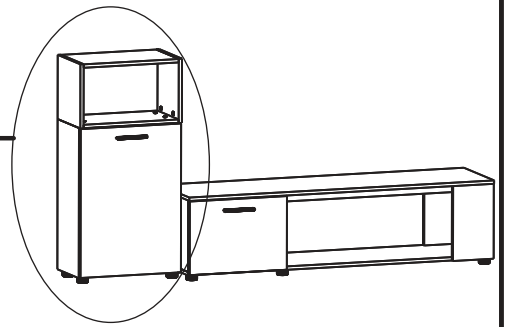
# 16



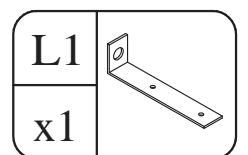
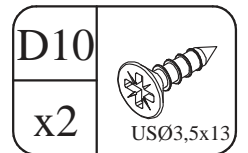
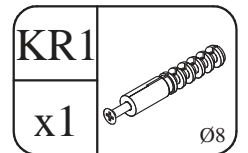
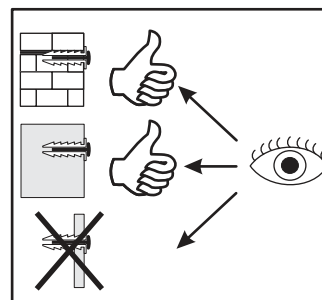
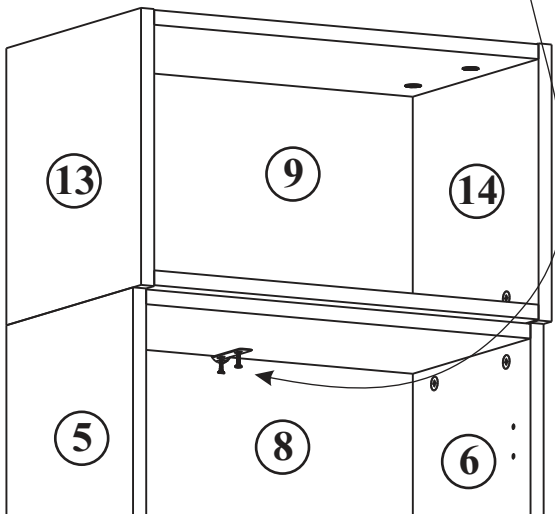
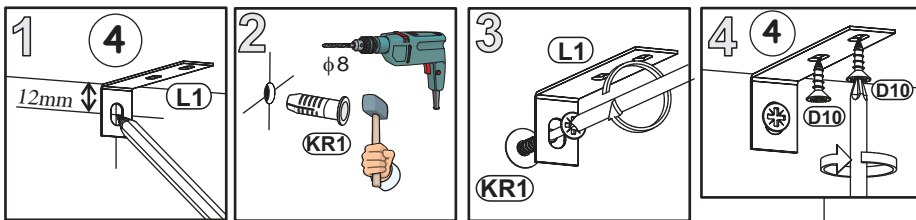
# 17a



MAZE I 

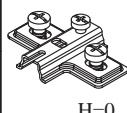


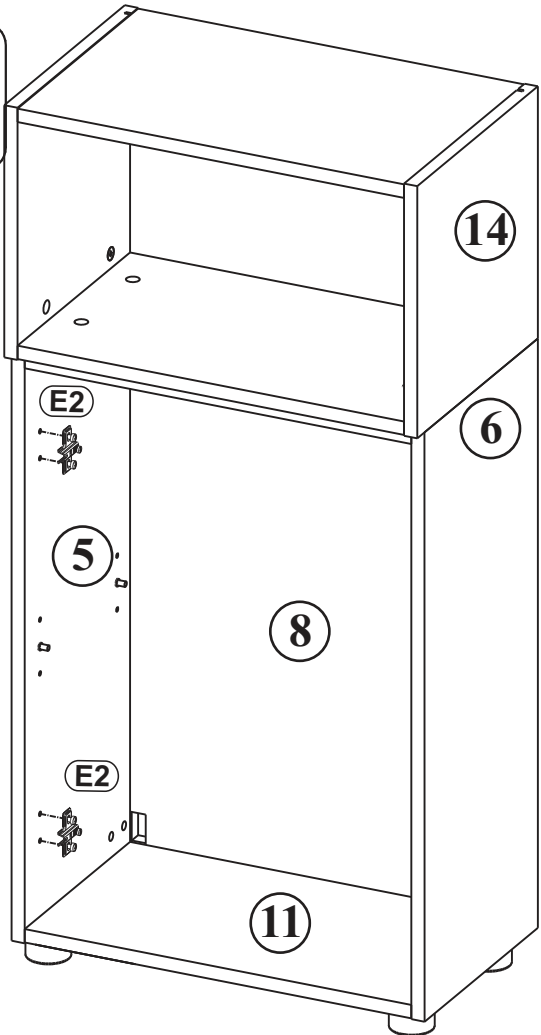
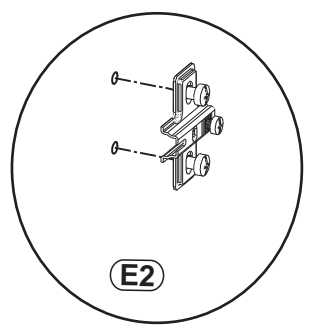
# 18a



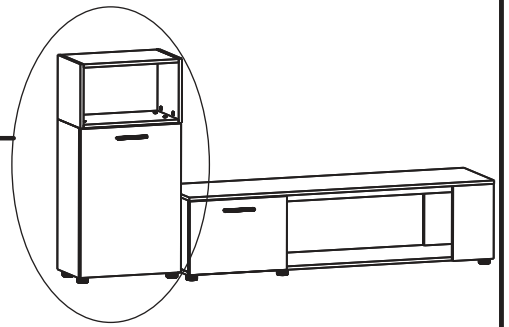


### 19a


E2	
x2	H=0

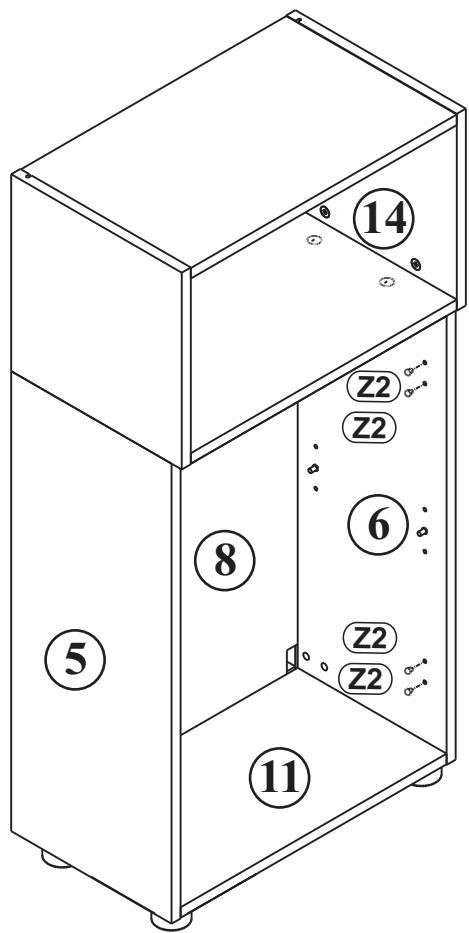


MAZE I 

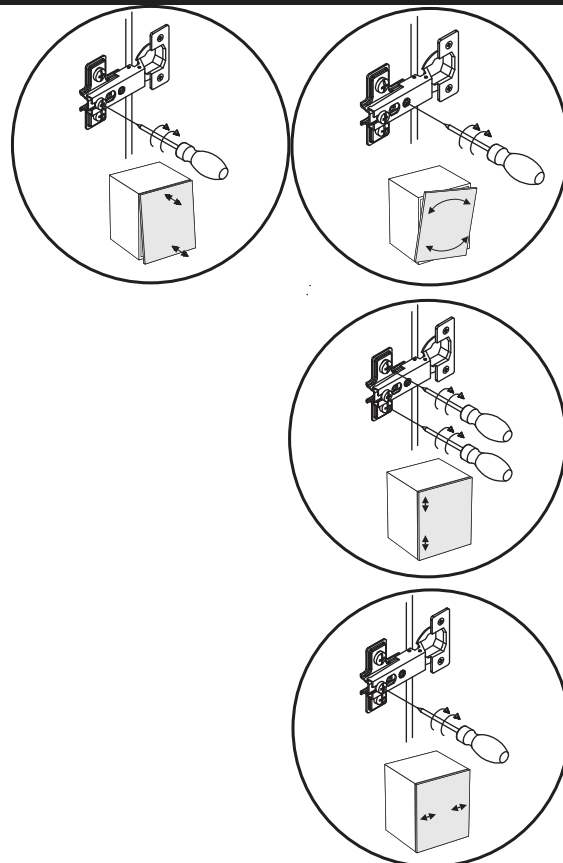
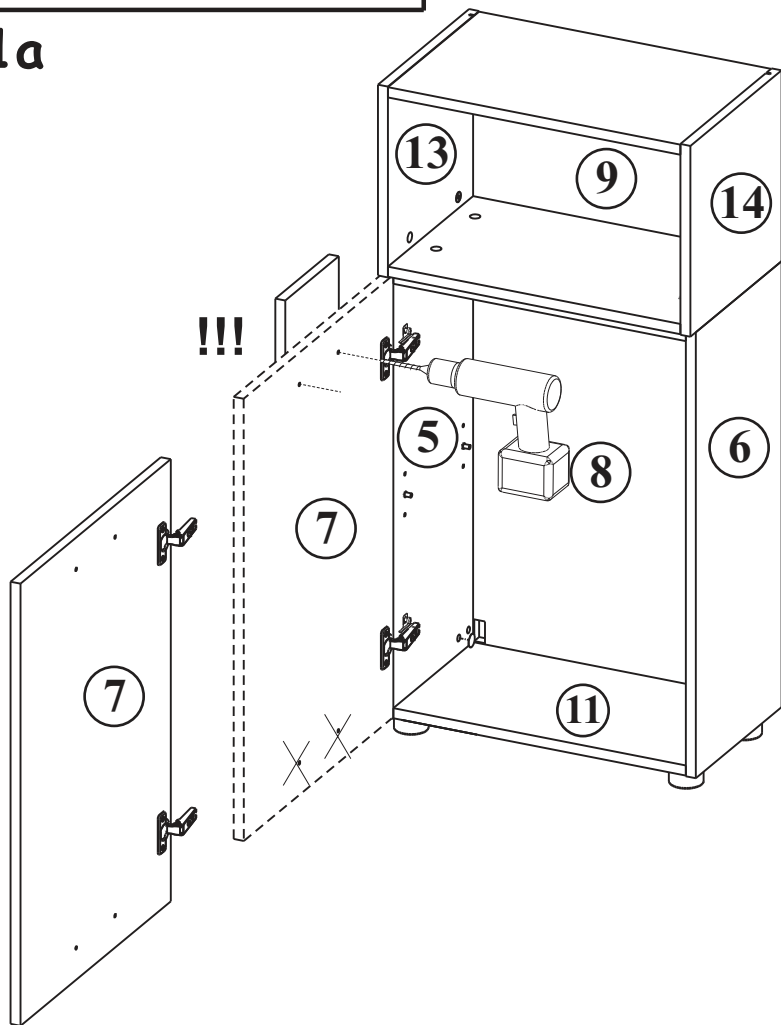


### 20a

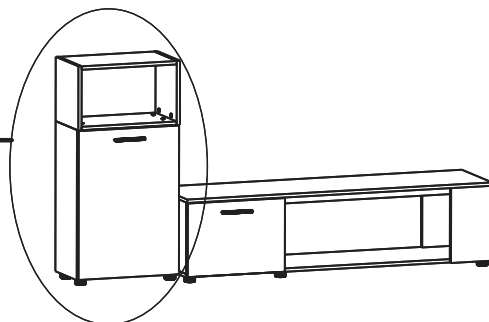
Z2	
X4	Ø5



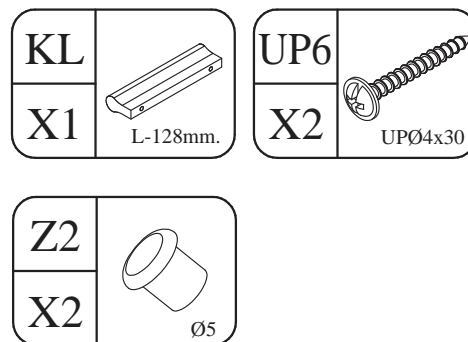
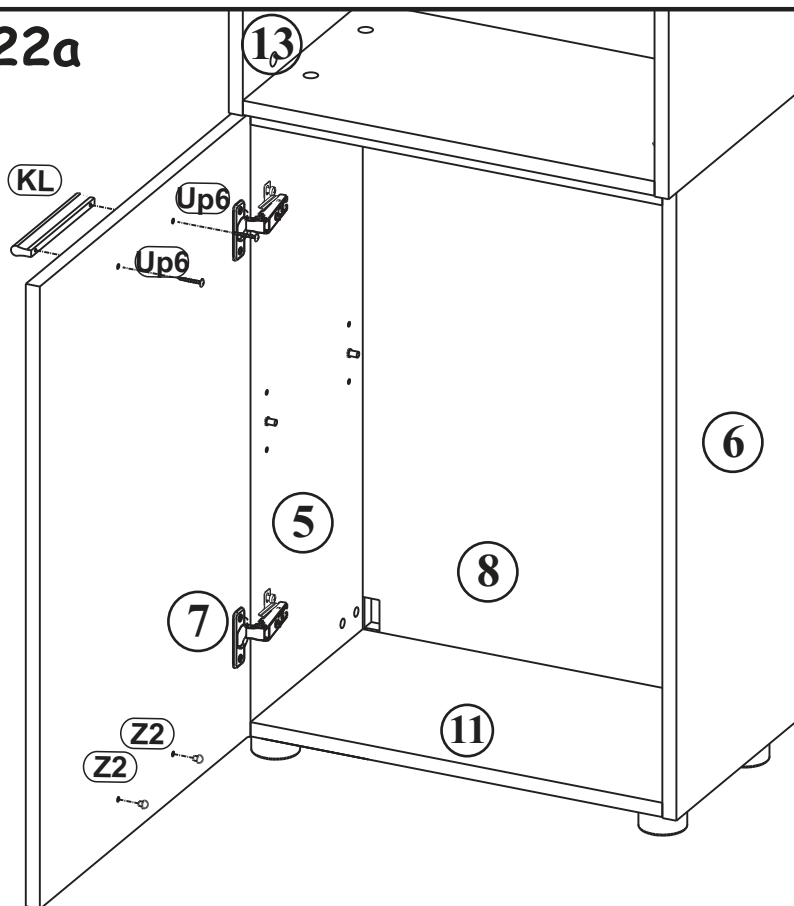
# 21a



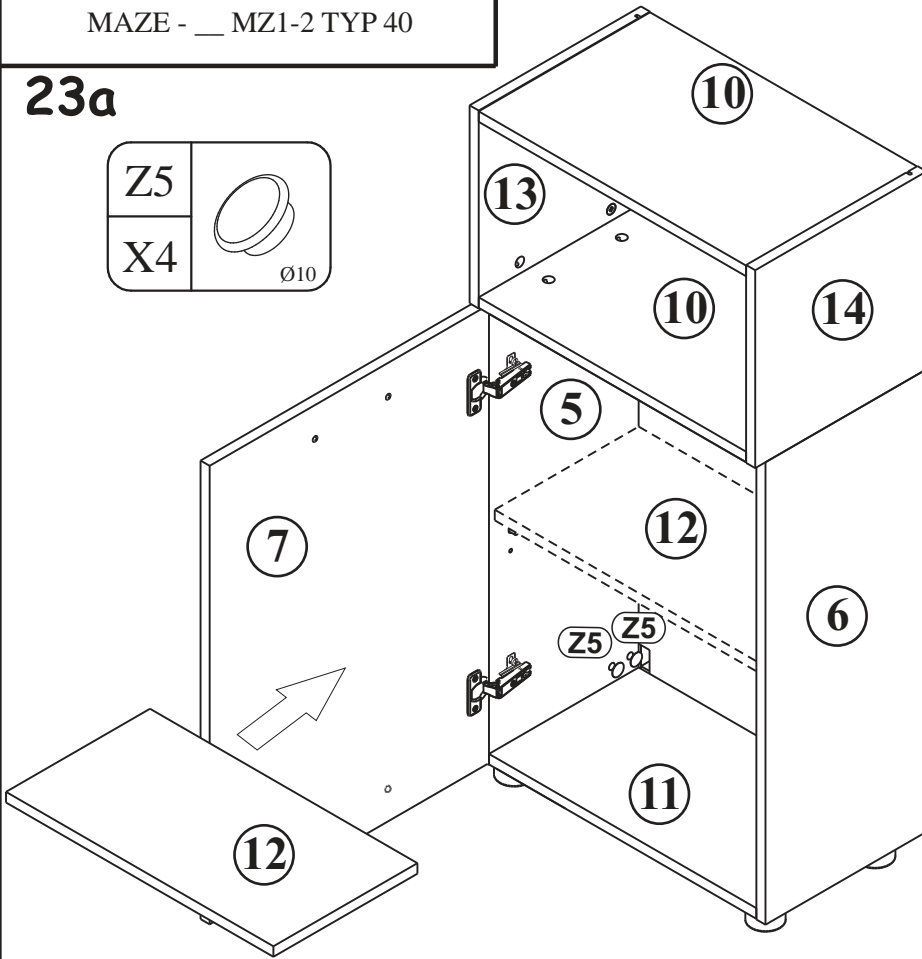
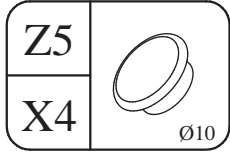
MAZE I 



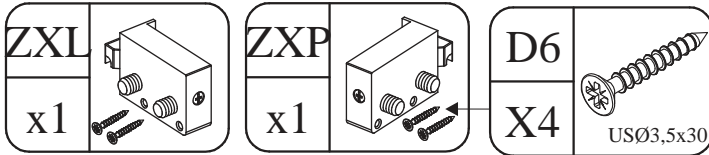
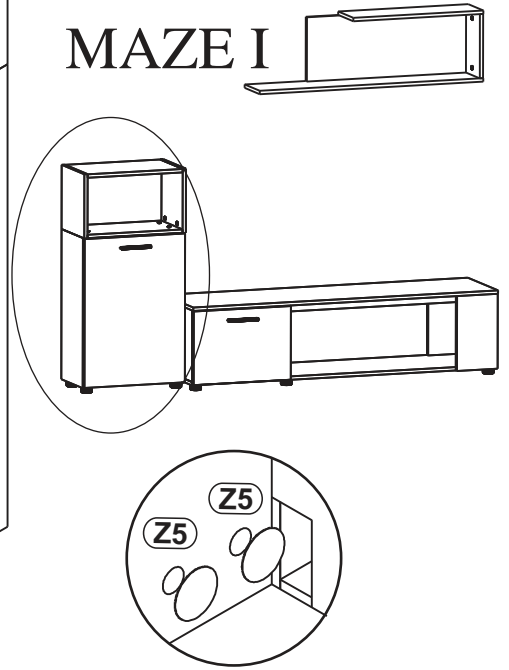
# 22a



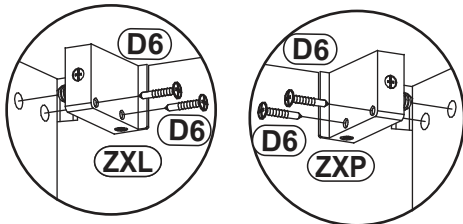
23a



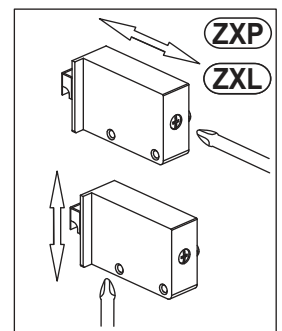
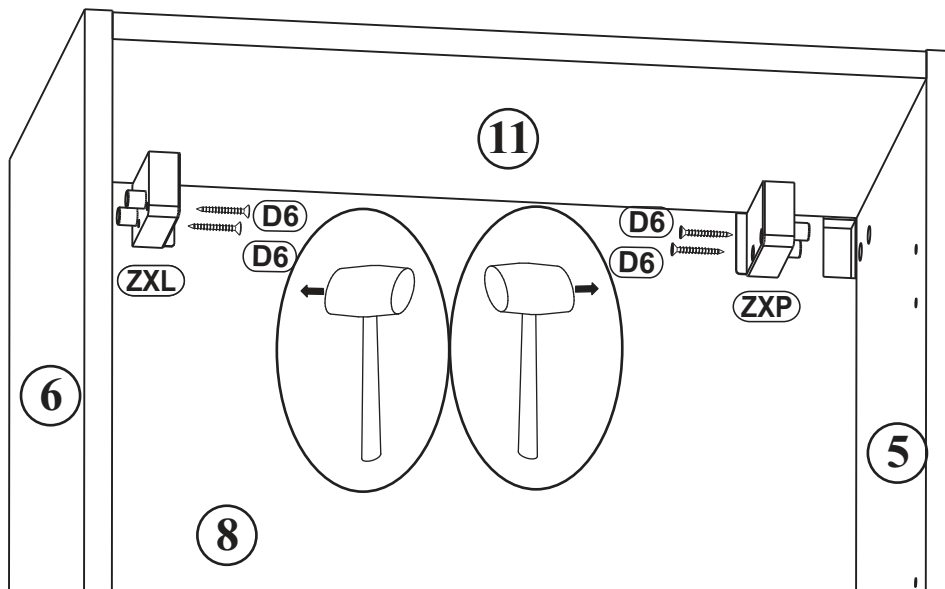
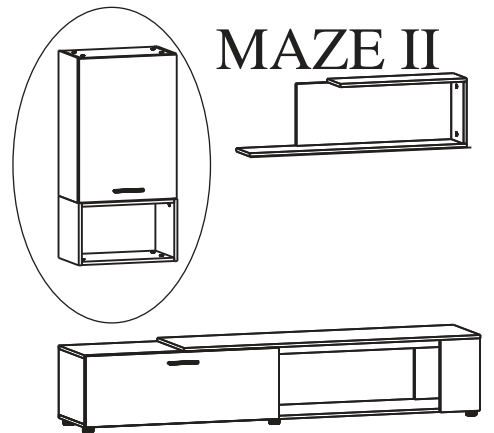
MAZE I



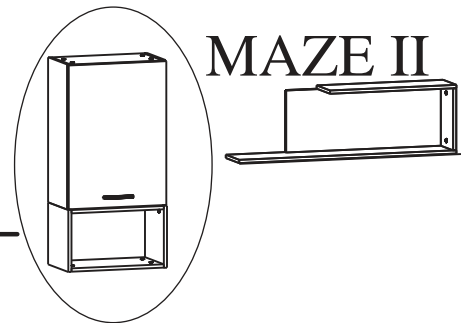
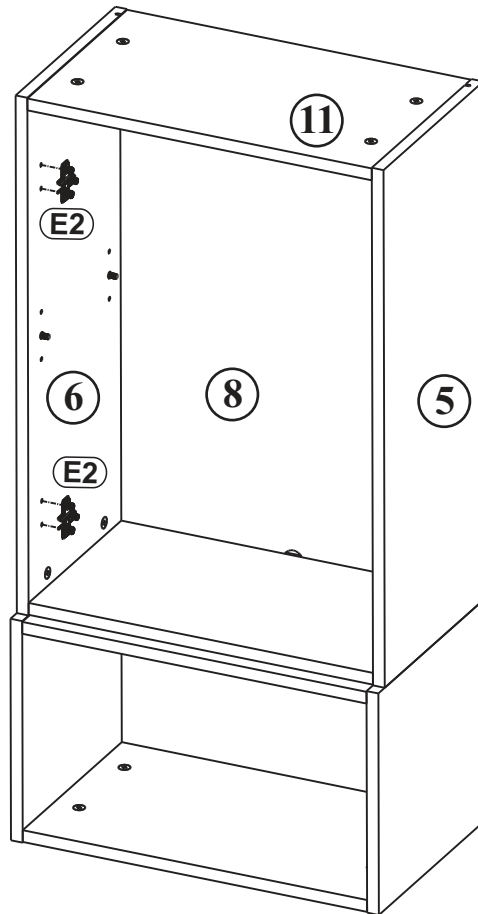
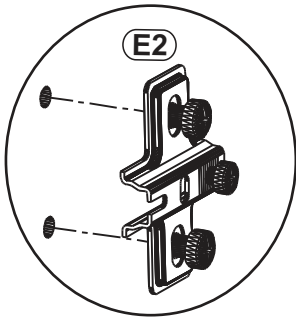
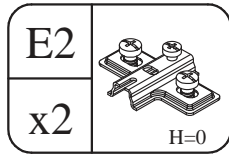
17b



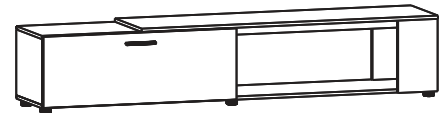
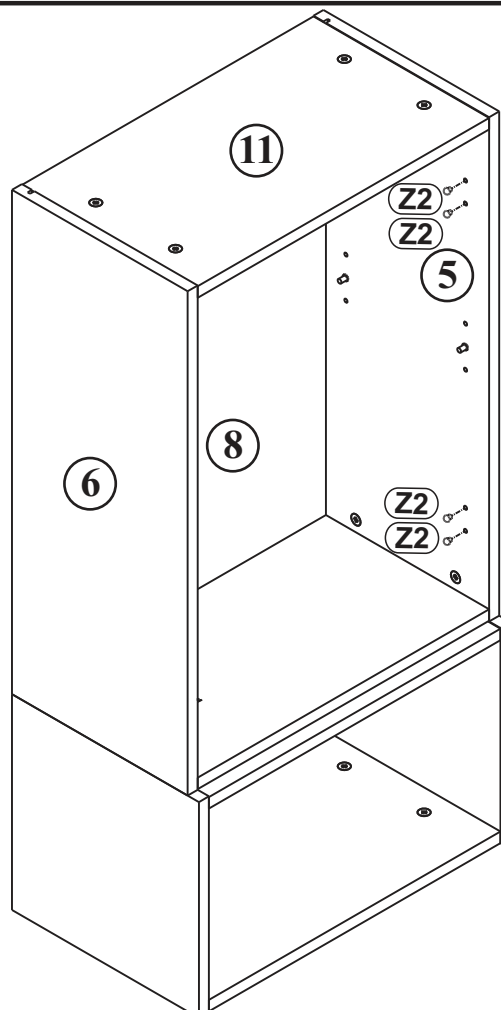
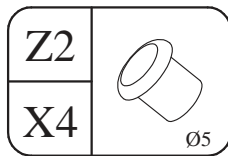
MAZE II

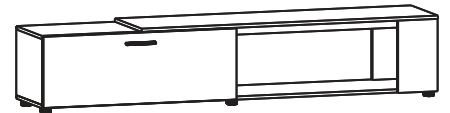
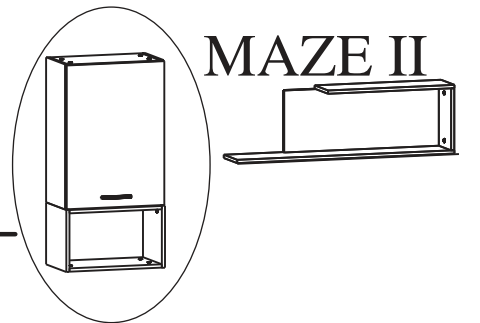
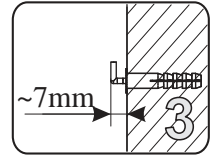
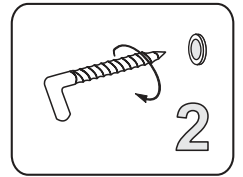
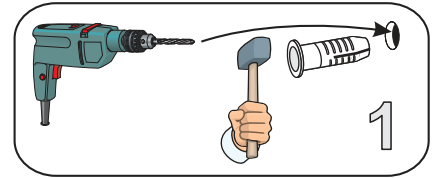
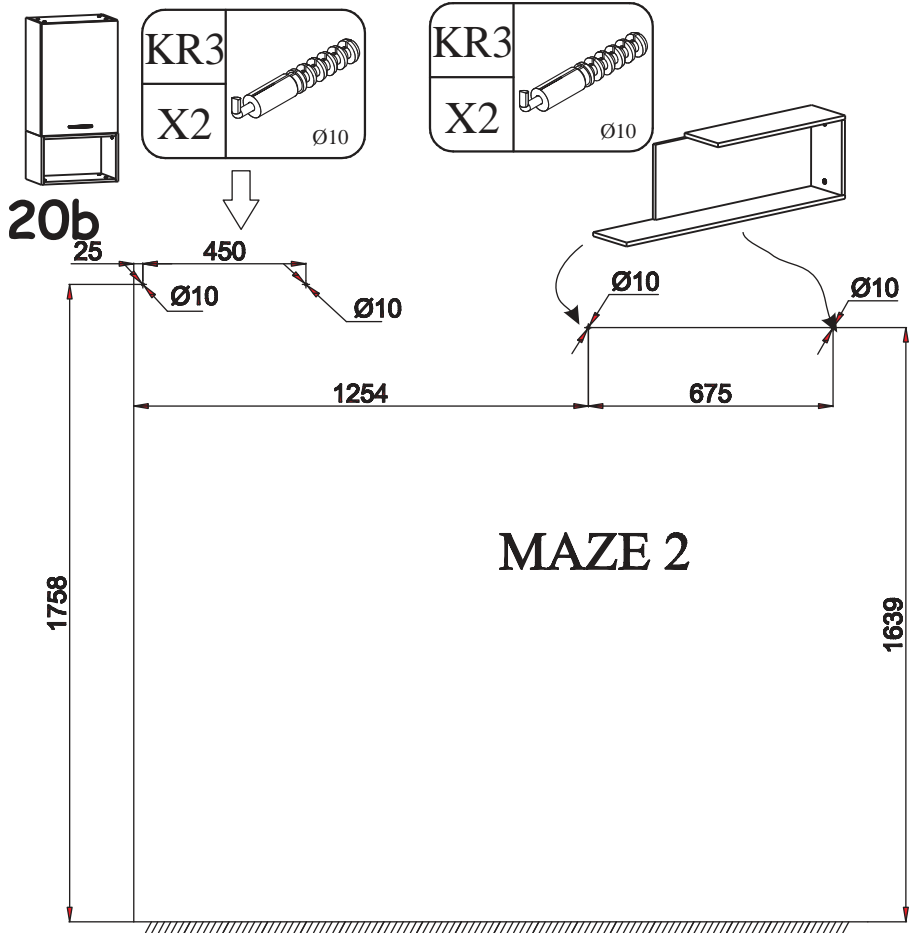


18b

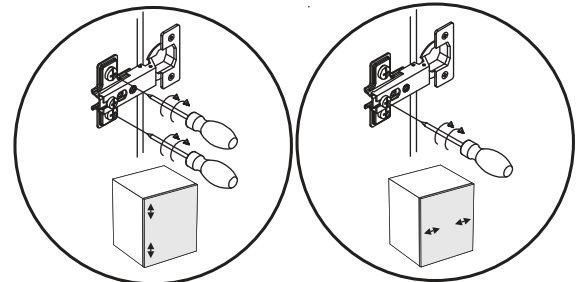
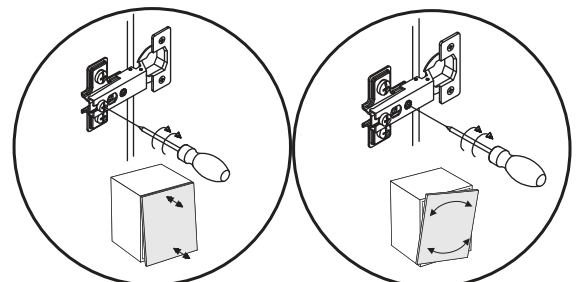
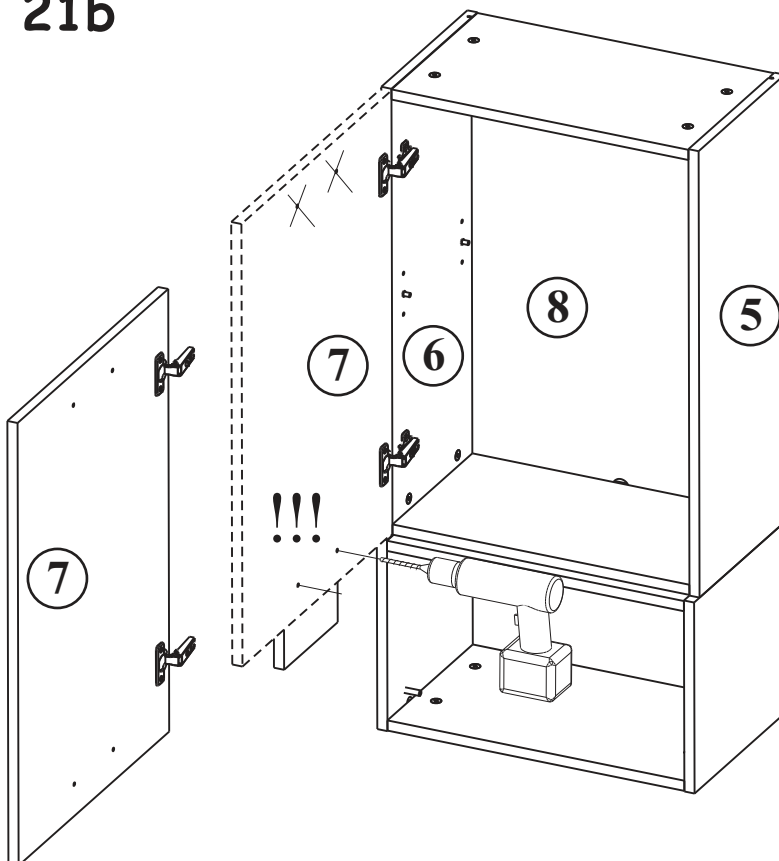


19b


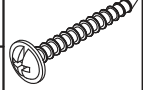



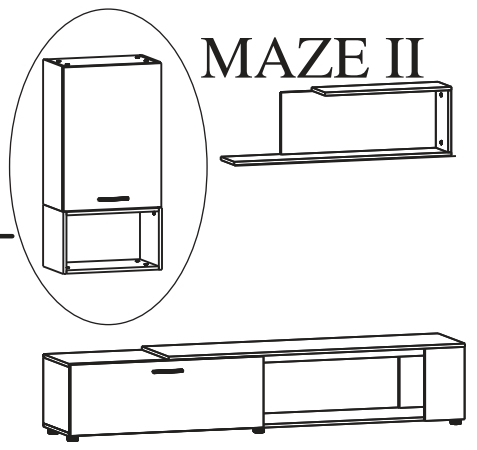
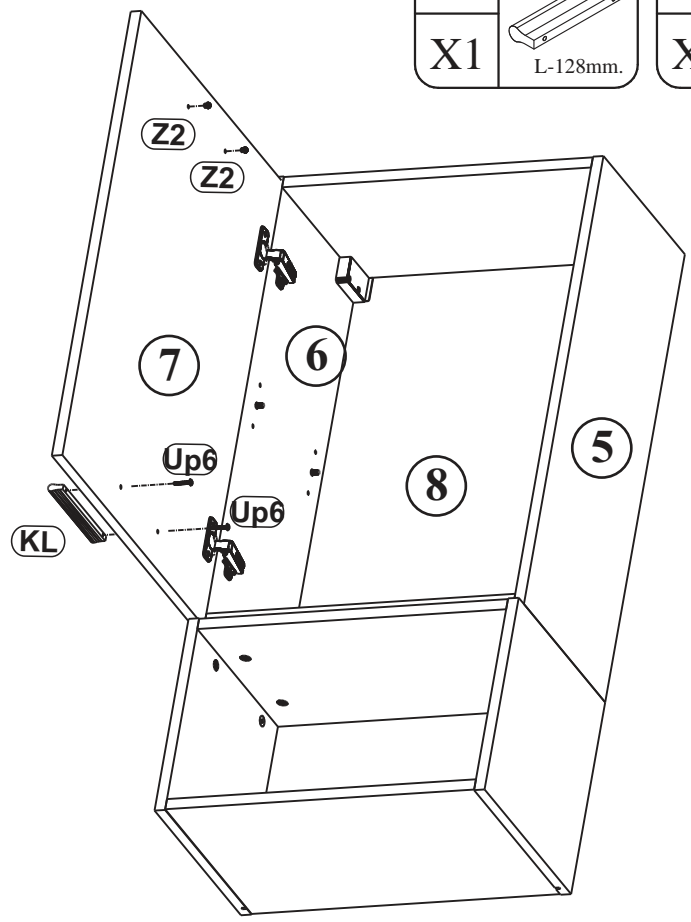


21b



# 22b

KL		UP6		Z2	
X1	L-128mm.	X2	UPØ4x30	X2	Ø5



# 23b

