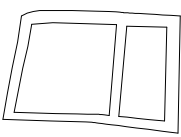
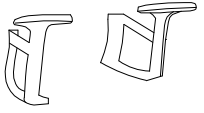
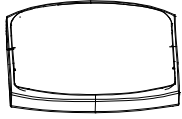
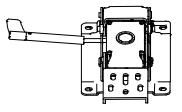

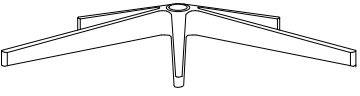






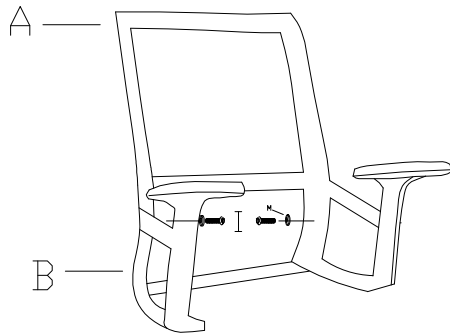


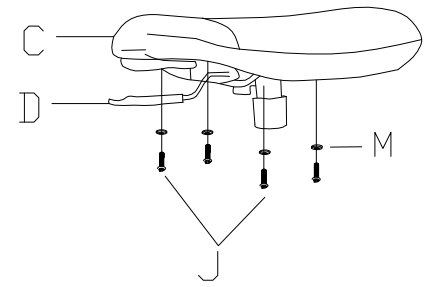
L310B

A		1PCS
B		2PCS
C		1PCS
D		1PCS
F		1PCS
G		1PCS
H		1PCS
I		M6*20 2PCS
J		M6*16 4PCS
K		M6*25 4PCS
M		∅6*16 10PCS
N		M5 1PCS

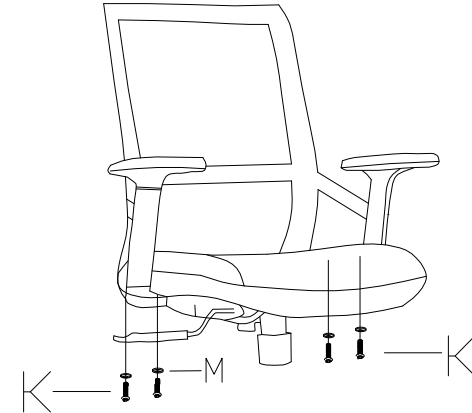
STEP: 1



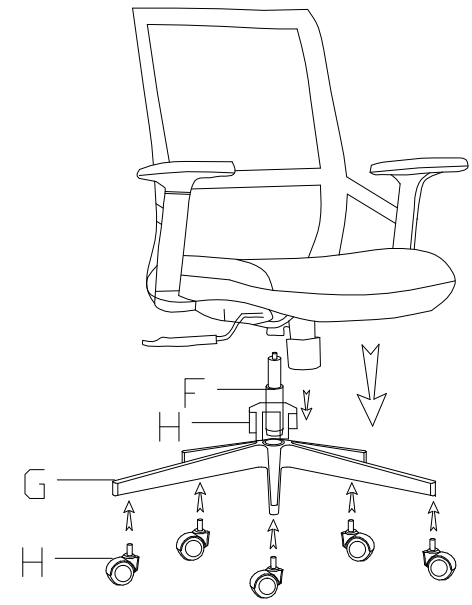
STEP: 2



STEP: 3



STEP: 4



OK

L310B

