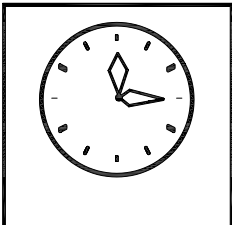
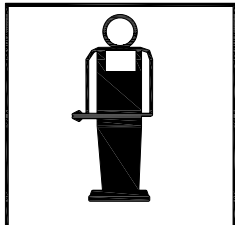
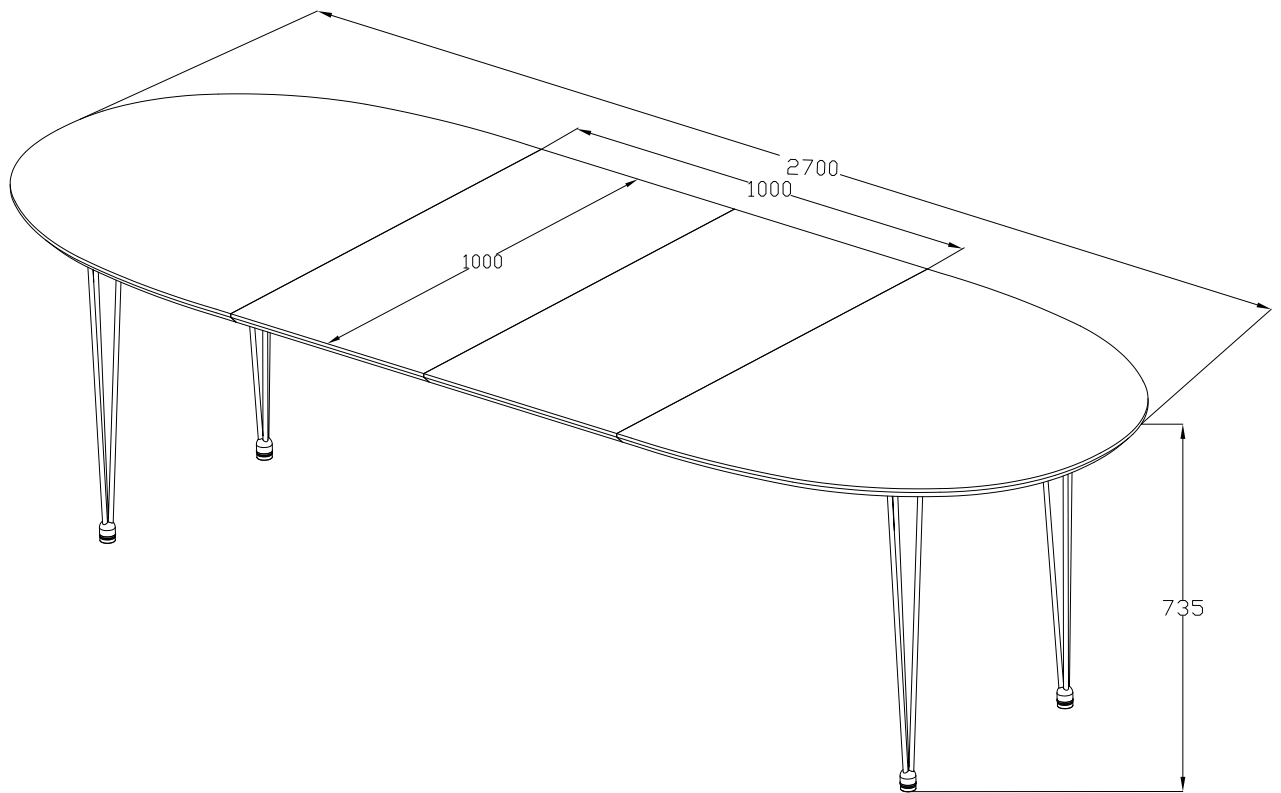
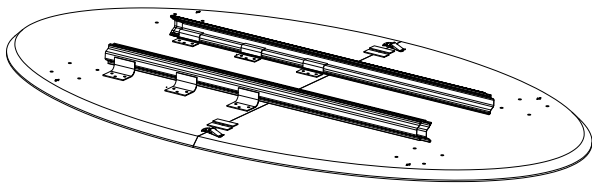


# Belina

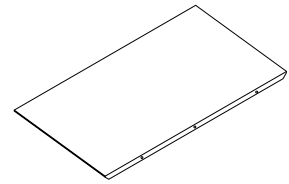




P1 x 1PC

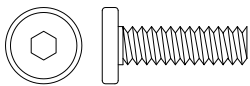


P2 x 4PCS



P3 x 2PCS

$\frac{1}{4}$ "x15mm



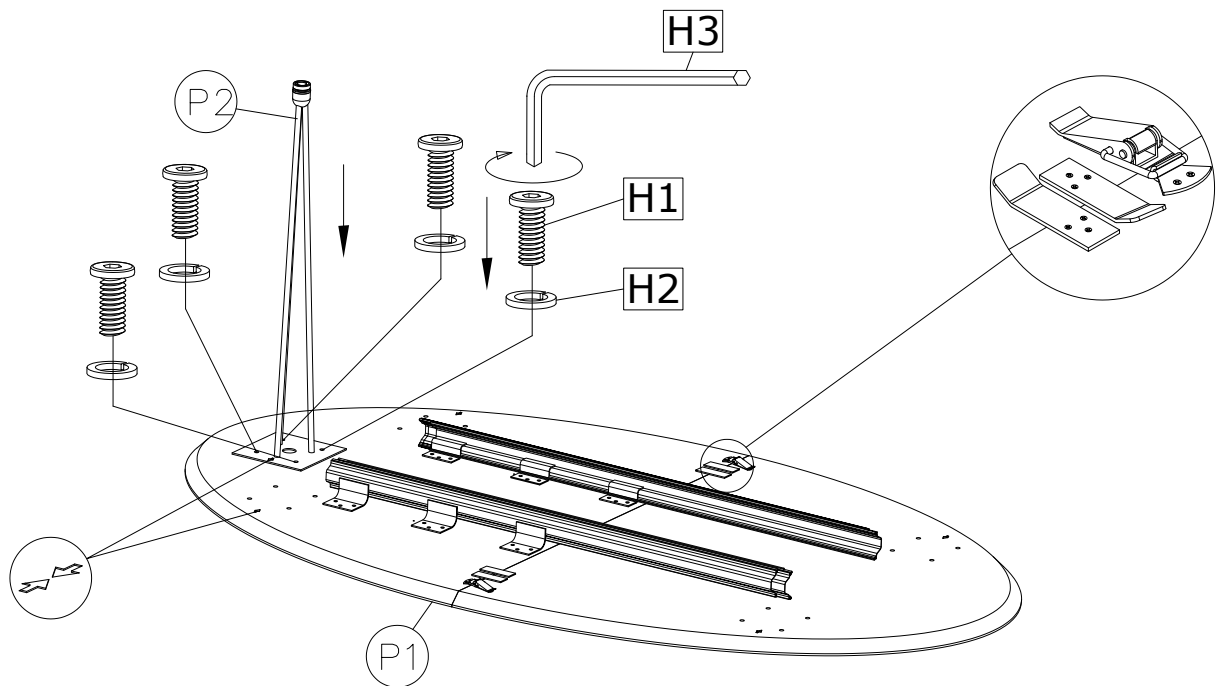
H1 x 16PCS



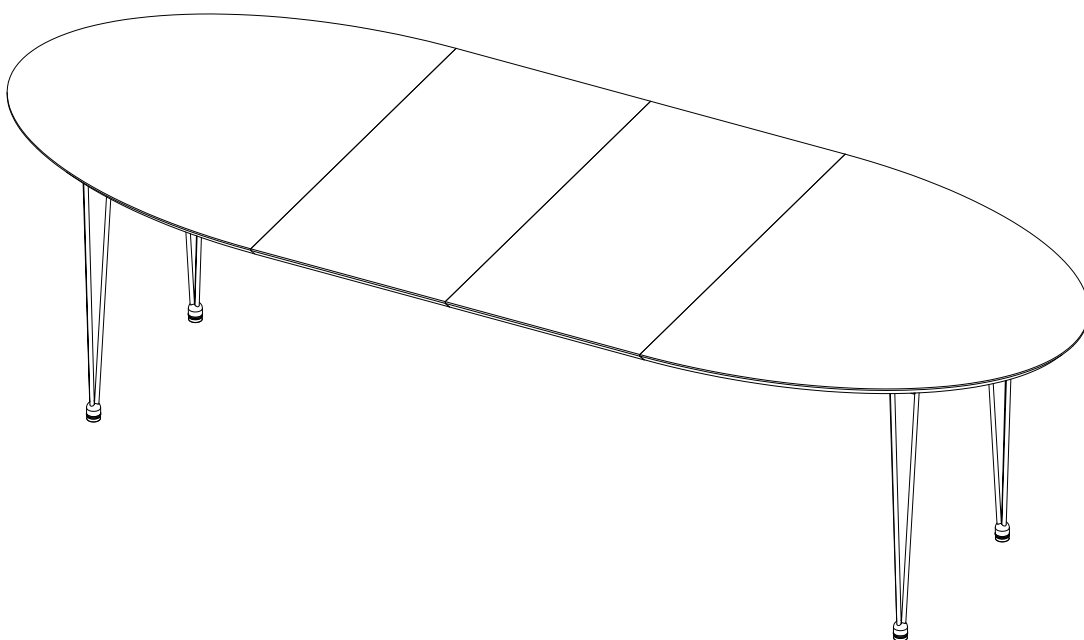
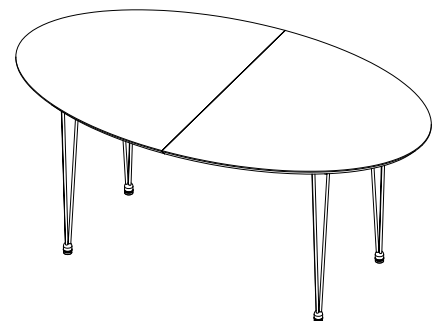
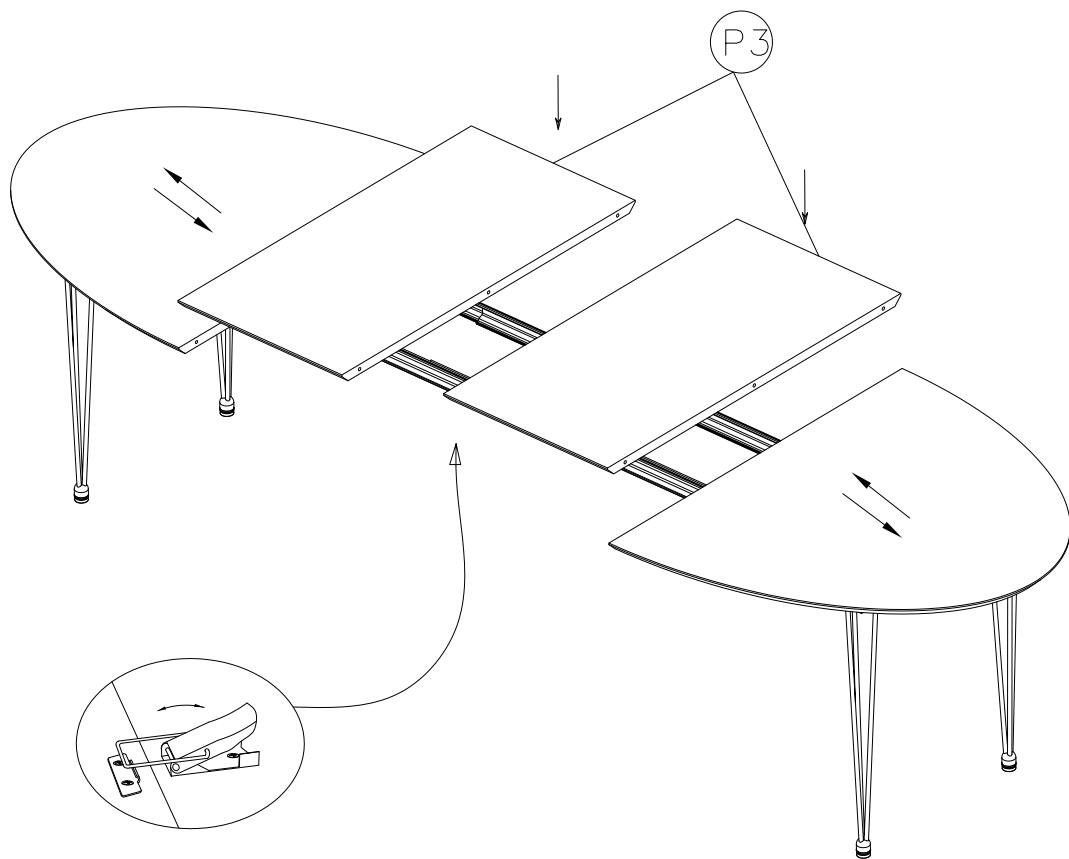
H2 x 16PCS



H3 x 1PC



# Belina



3