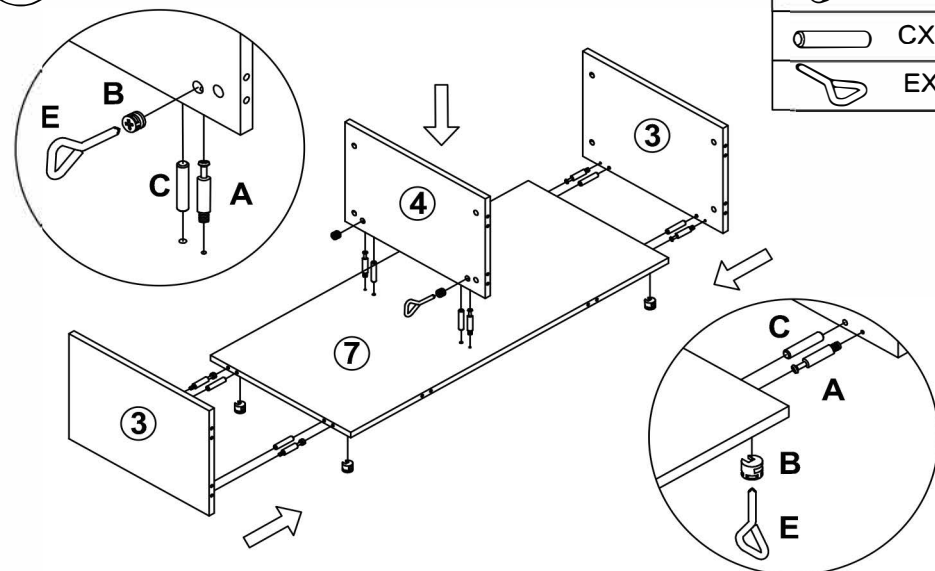


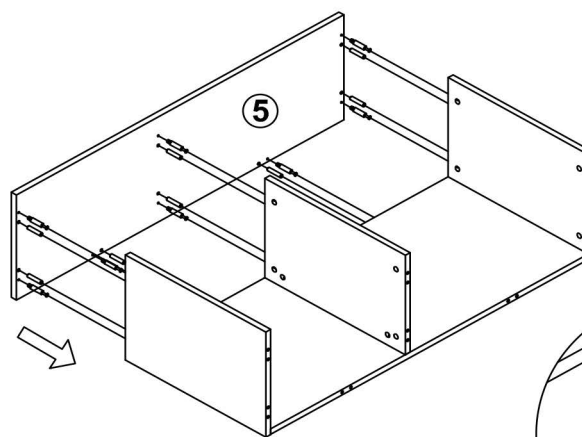
NO.	HARDWARE	QTY	NO.	HARDWARE	QTY	NO.	HARDWARE	QTY
A		22	F		6			
B		22						
C		22						
D		4						
E		1						

1

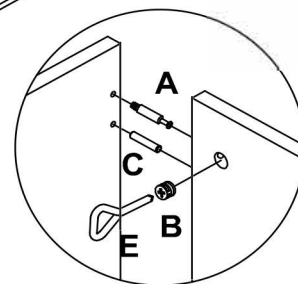


	AX6
	BX6
	CX6
	EX1

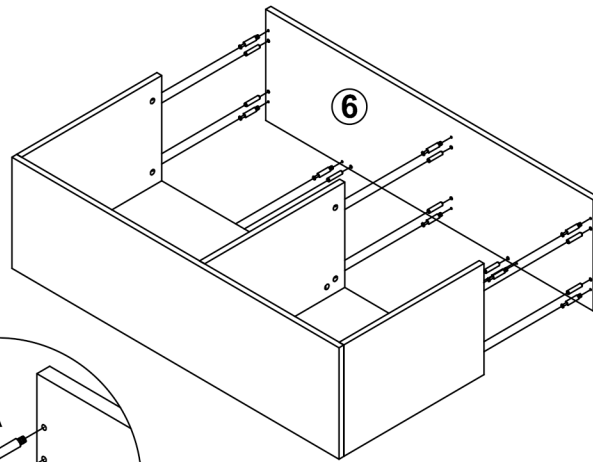
2

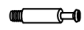

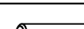
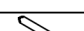


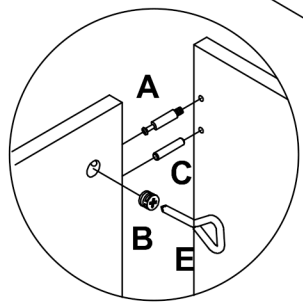
	AX8
	BX8
	CX8
	EX1



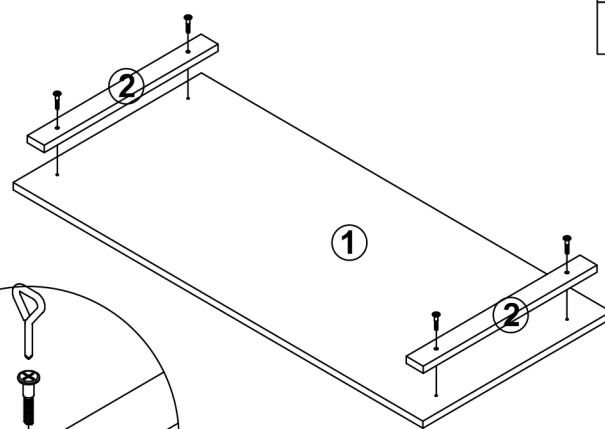
3


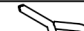


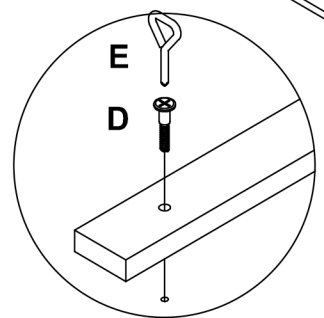
-  AX8
-  BX8
-  CX8
-  EX1



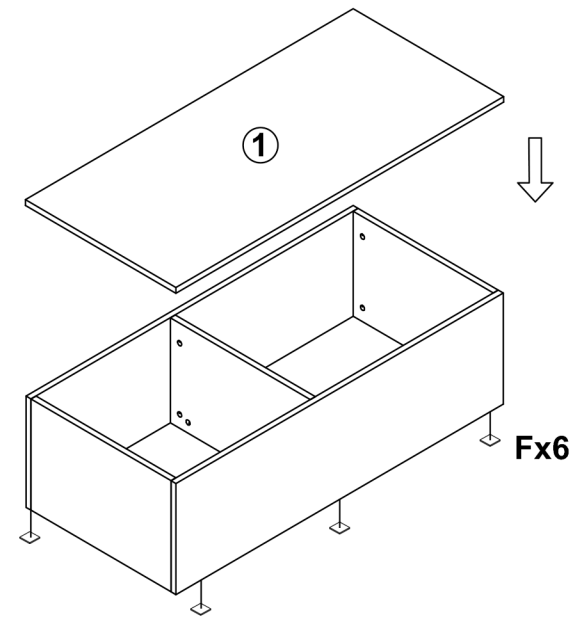
4



-  DX4
-  HX1



5



-  Fx6

6

