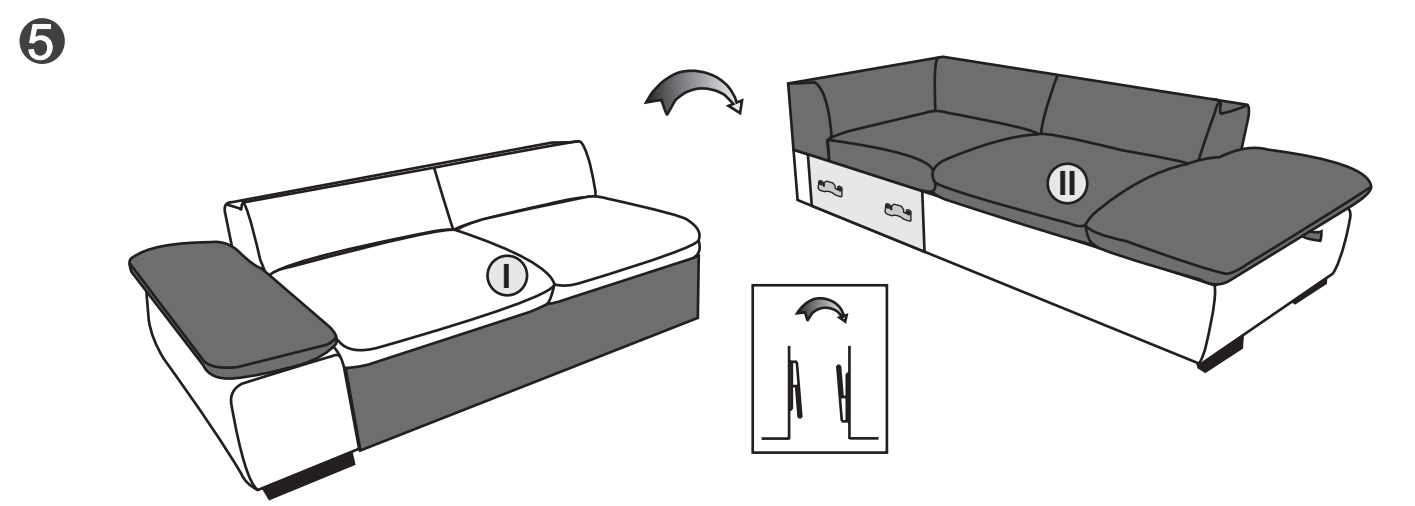
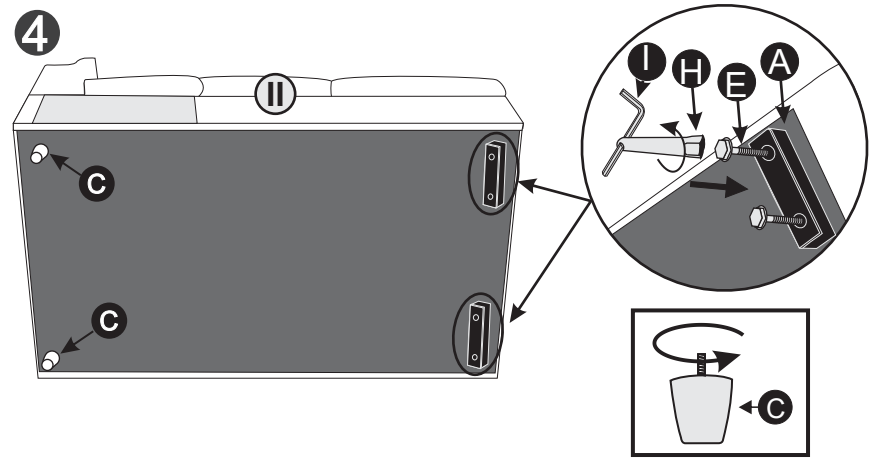
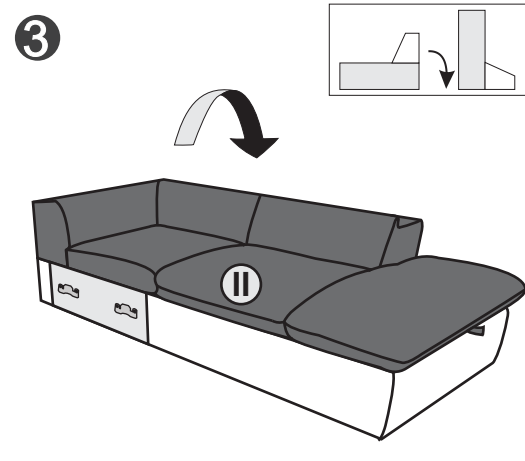
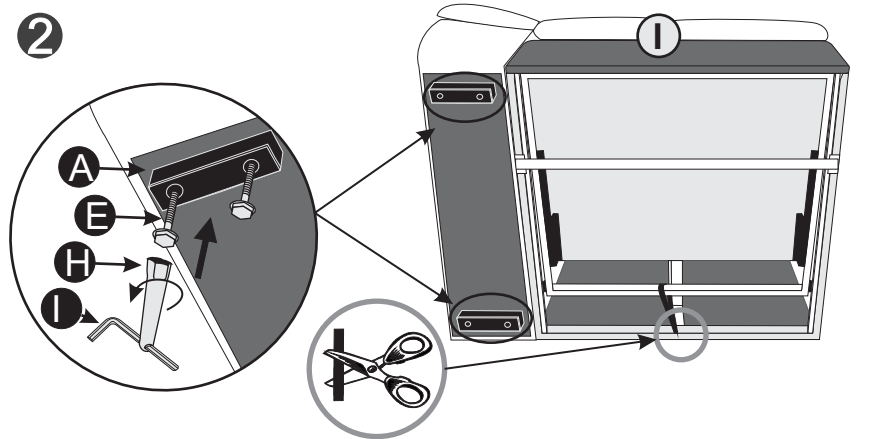
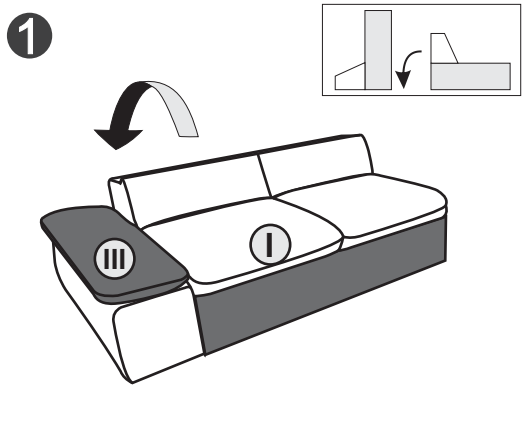
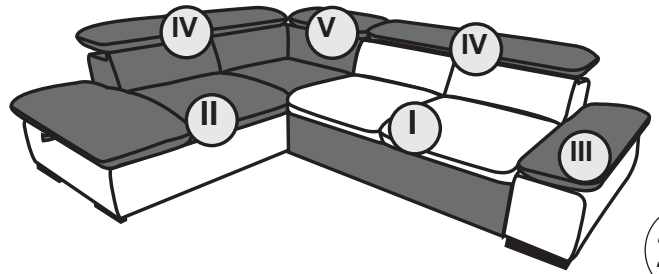
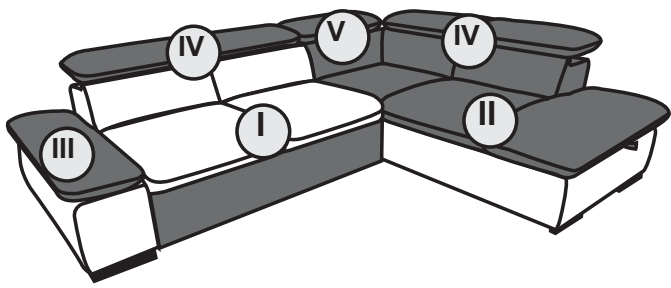


- |          |     |          |     |          |  |          |     |          |       |
|----------|-----|----------|-----|----------|--|----------|-----|----------|-------|
| <b>A</b> | H65 | <b>C</b> | H65 | <b>H</b> |  | <b>I</b> | 6MM | <b>E</b> | M8X60 |
| x4       |     | x2       |     | x1       |  | x1       |     | x8       |       |

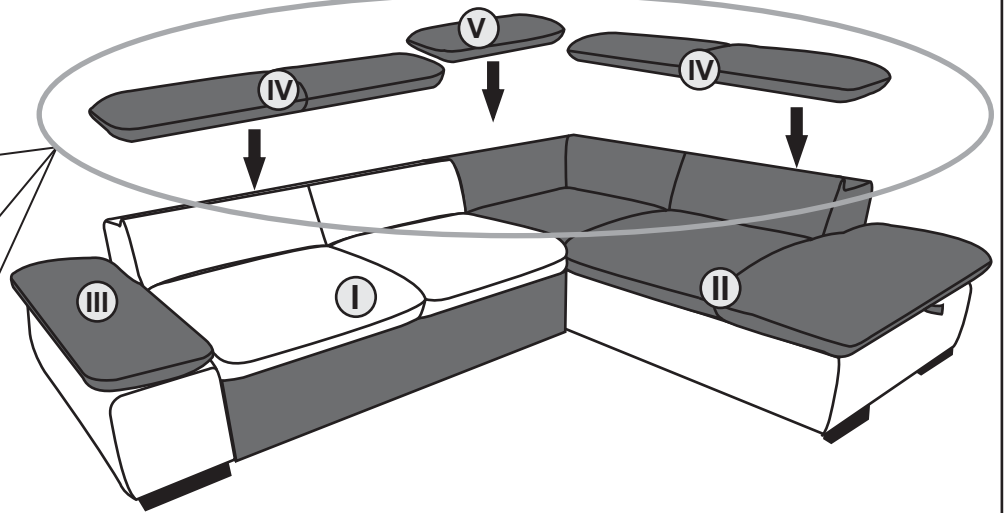
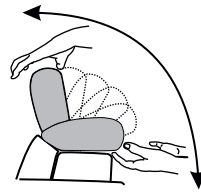
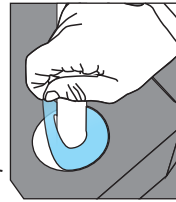
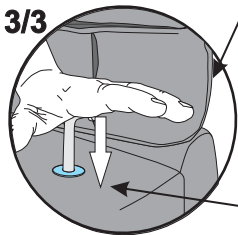
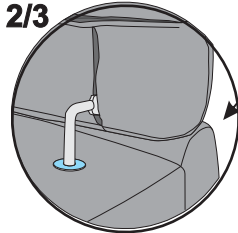
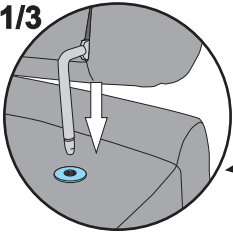
0  
10  
20  
30  
40  
50  
60  
70  
80  
90  
100  
110  
120  
130  
140  
150  
160  
170  
180



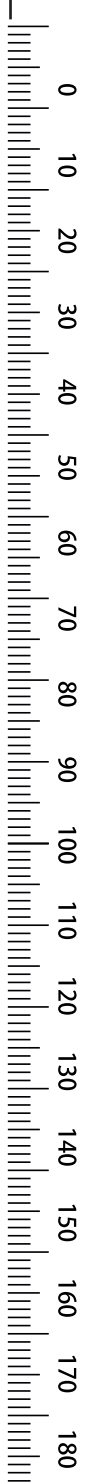
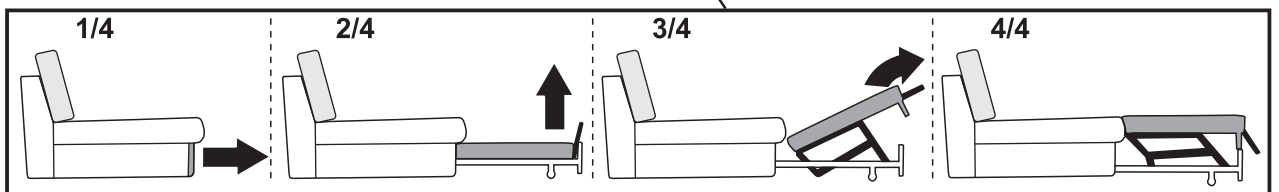
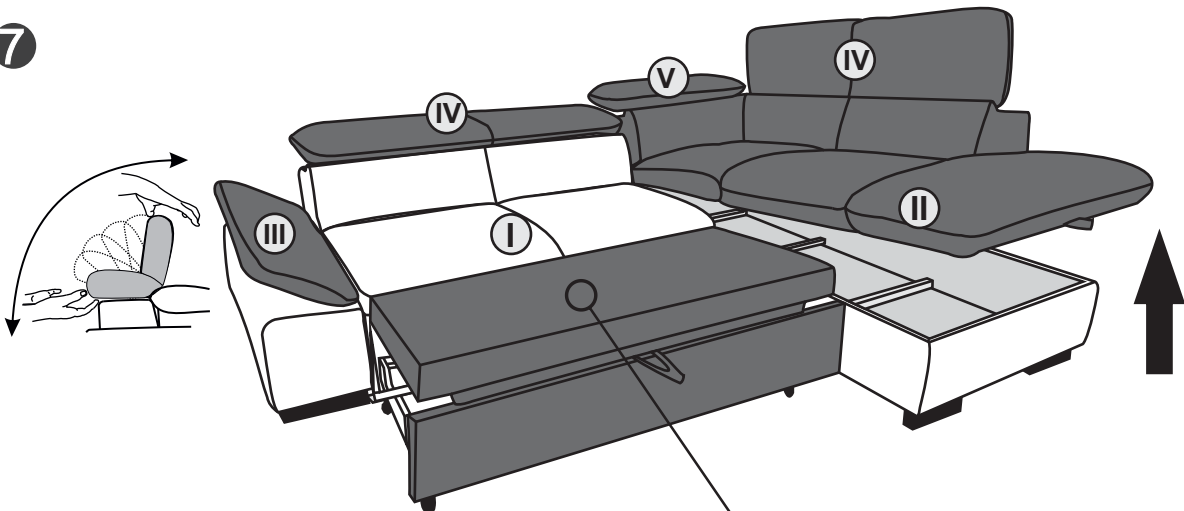


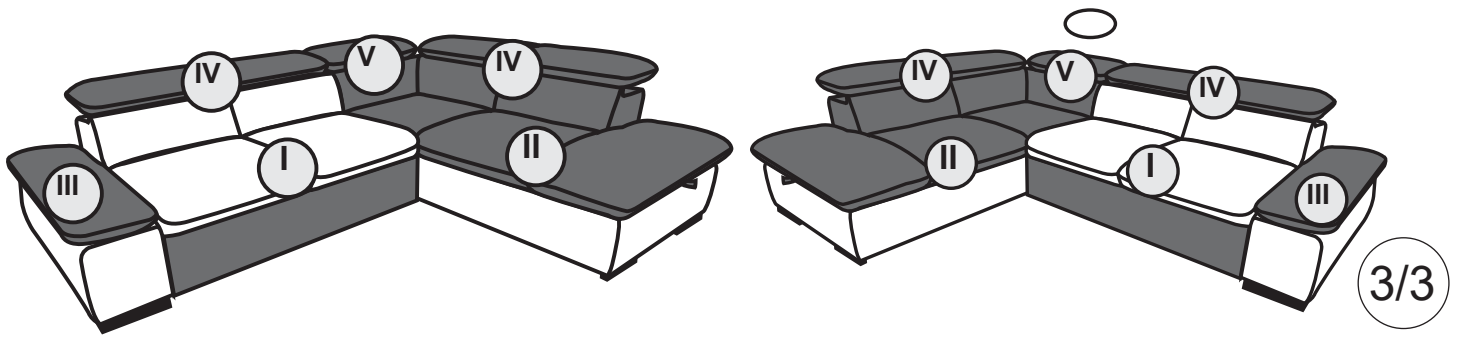
2/3

6 1/3



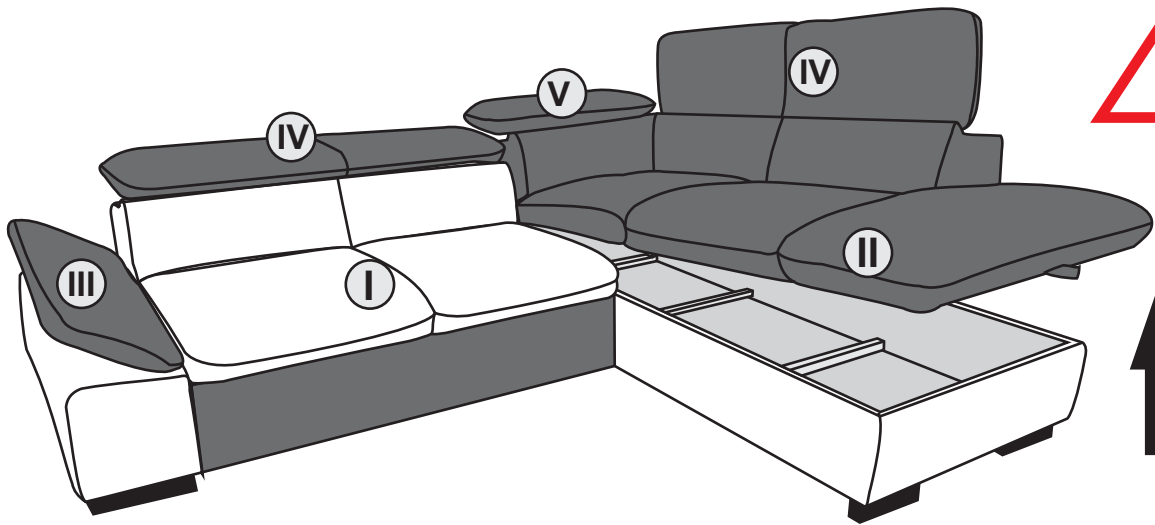
7





8

1/3



2/3

3/3

