


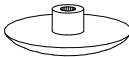
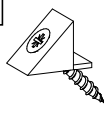
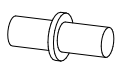
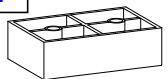
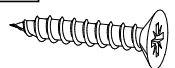
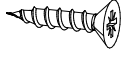
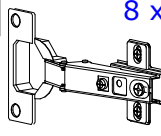
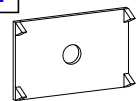

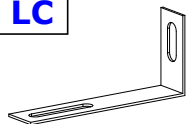
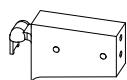
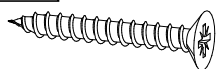

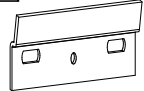

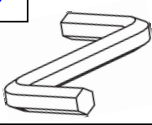
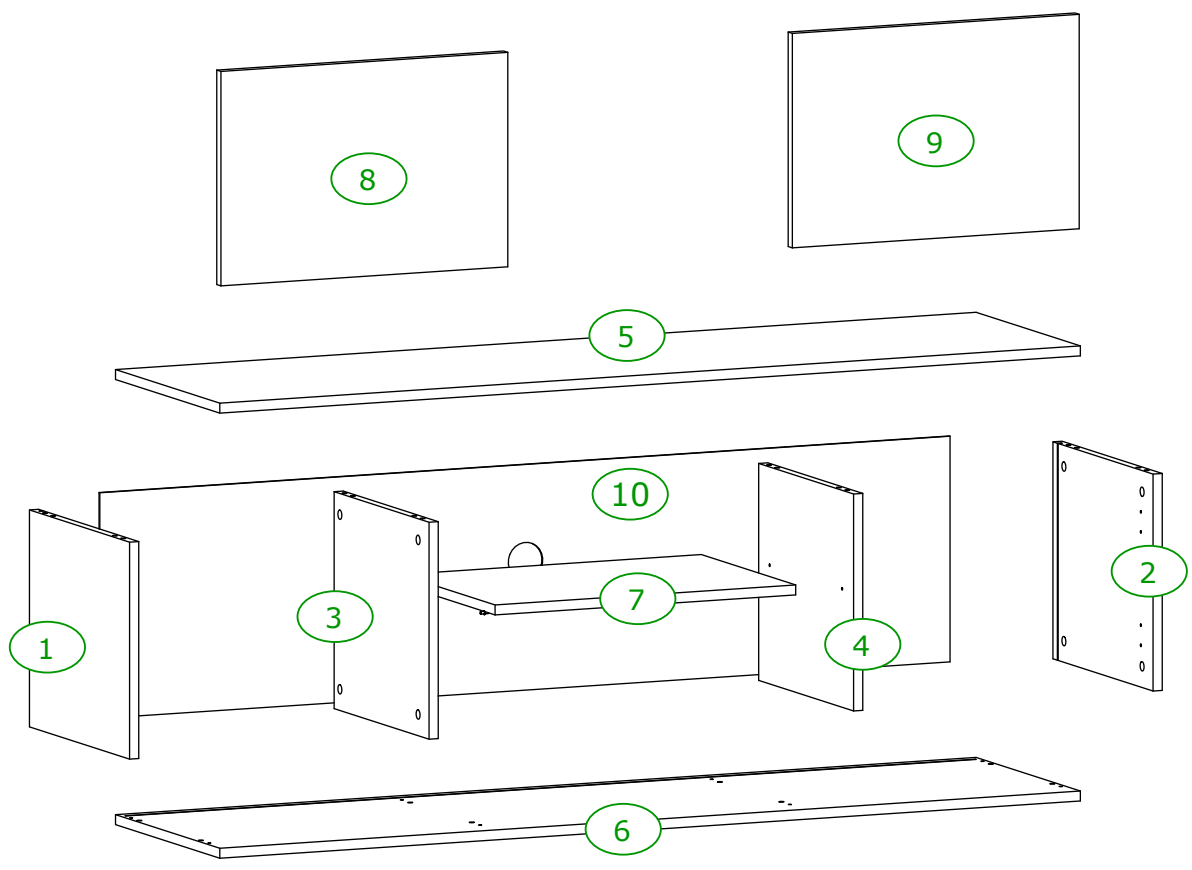
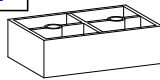
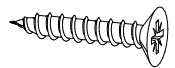
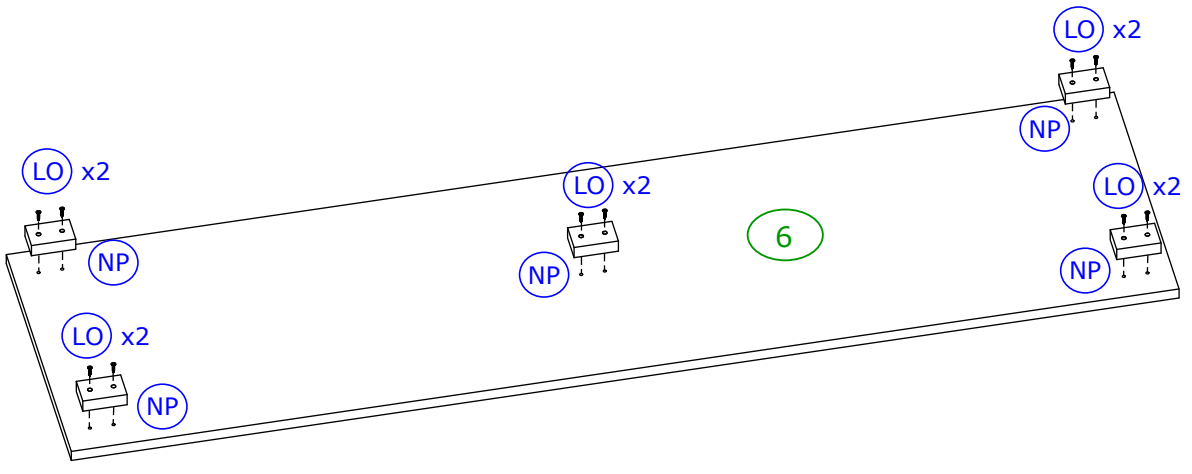





<b>A</b>	36 x  8 x 35	<b>ML</b>	54 x 	<b>M1</b>	54 x 	<b>MZ</b>	50 x 	<b>H</b>	34 x 	<b>E</b>	28 x 
<b>NP</b>	9 x  60 x 40 x 20	<b>LO</b>	18 x  4 x 25	<b>X</b>	19 x  3,5 x 16	<b>ZN</b>	8 x 	<b>K1</b>	4 x 	<b>K</b>	4 x  3 x 25
<b>LC</b>	1 x 	<b>F</b>	2 x 	<b>L</b>	4 x  4 x 30	<b>PU</b>	1 x 	<b>FB</b>	2 x 	<b>D</b>	4 x 
<b>P</b>	1 x 										

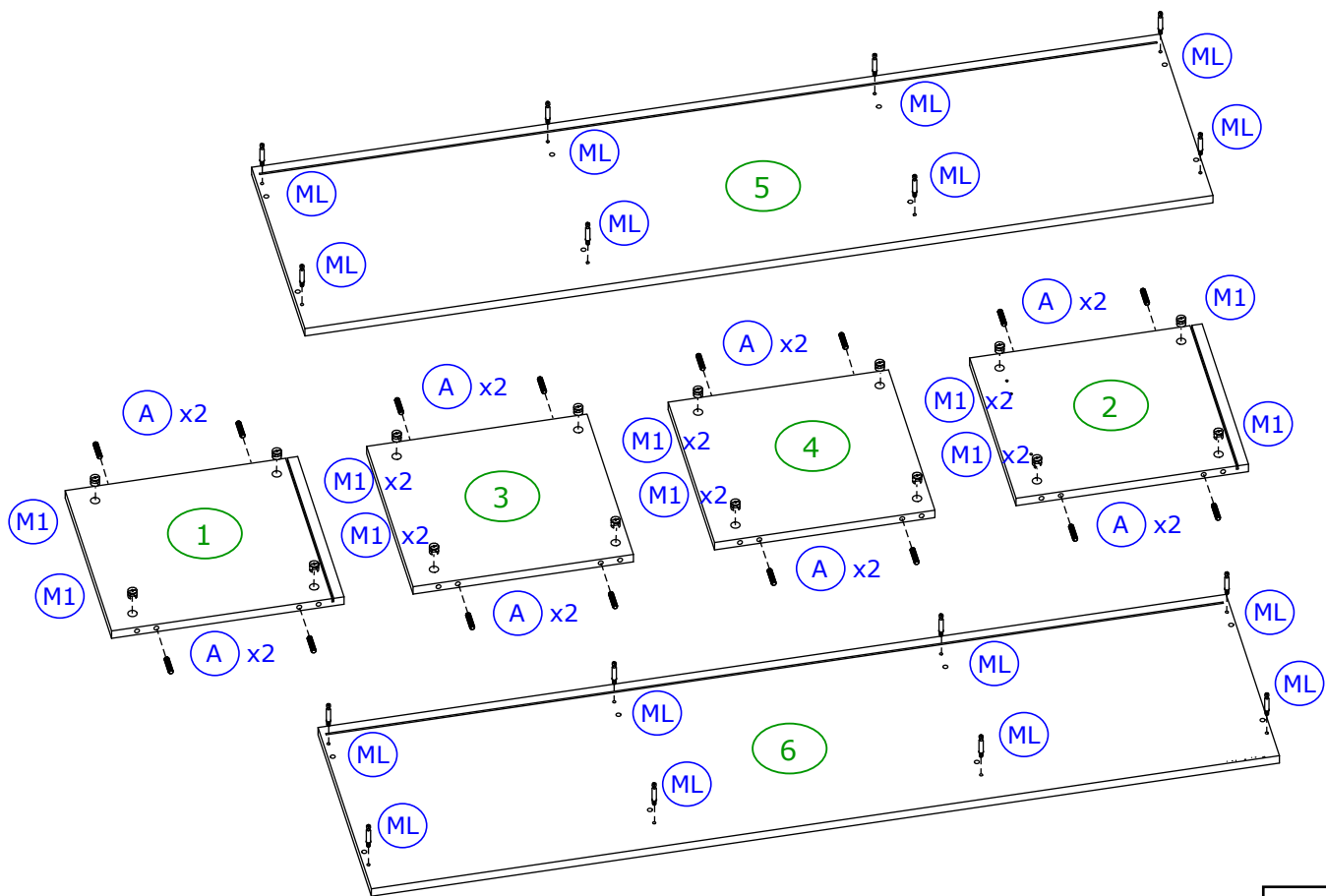


<b>NP</b>	5 x	<b>LO</b>	10 x
			
60 x 40 x 20		4 x 25	

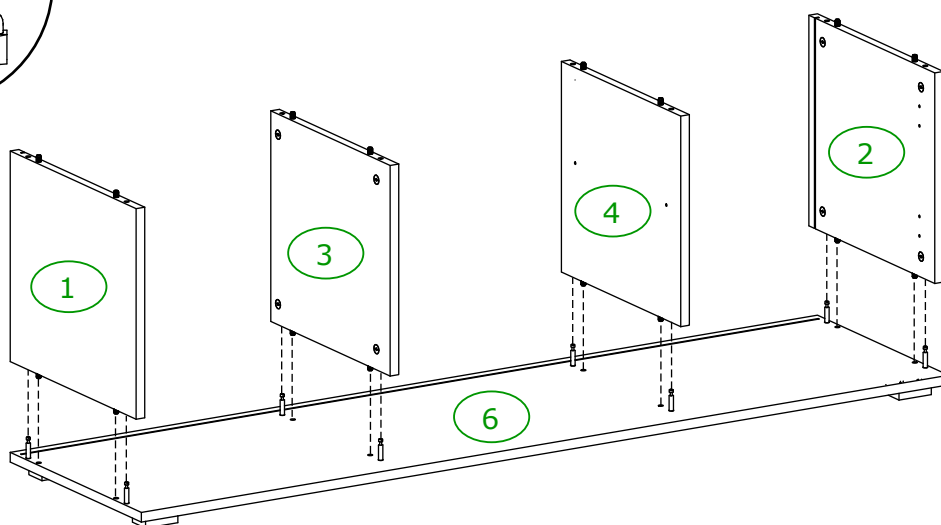
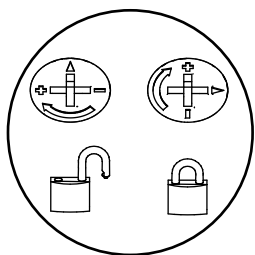


**1**

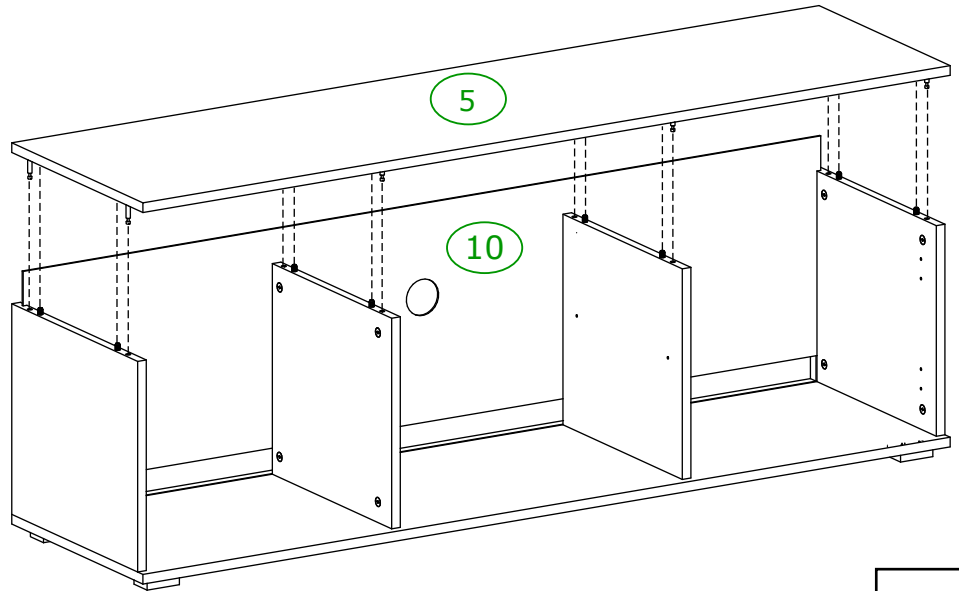
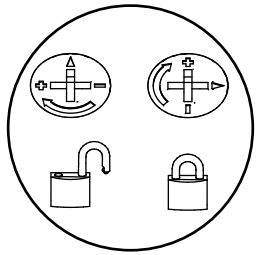
<b>A</b>	16 x	<b>ML</b>	16 x	<b>M1</b>	16 x
					
	8 x 35				



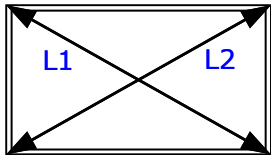
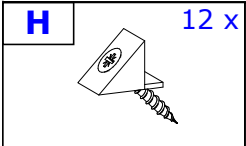
2



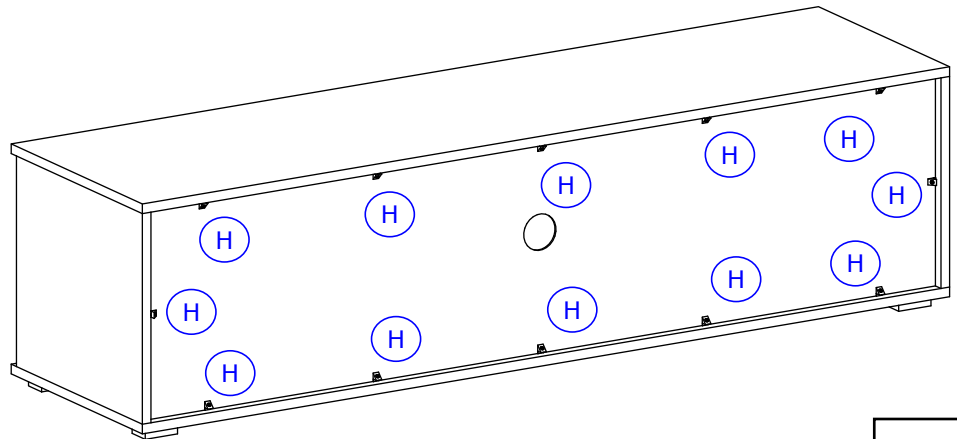
3



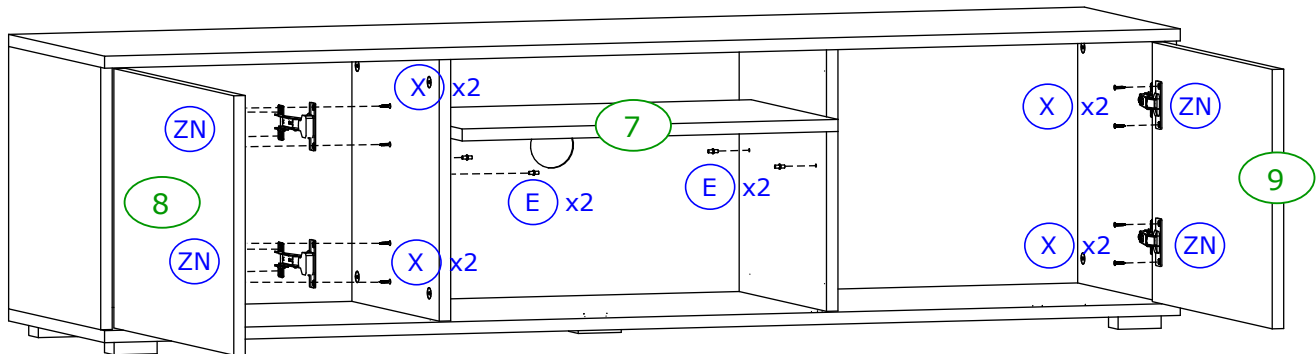
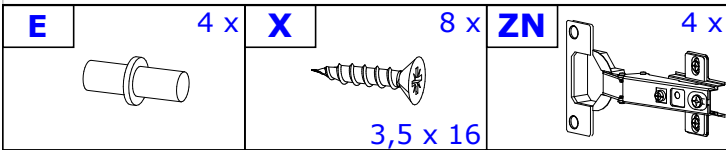
4



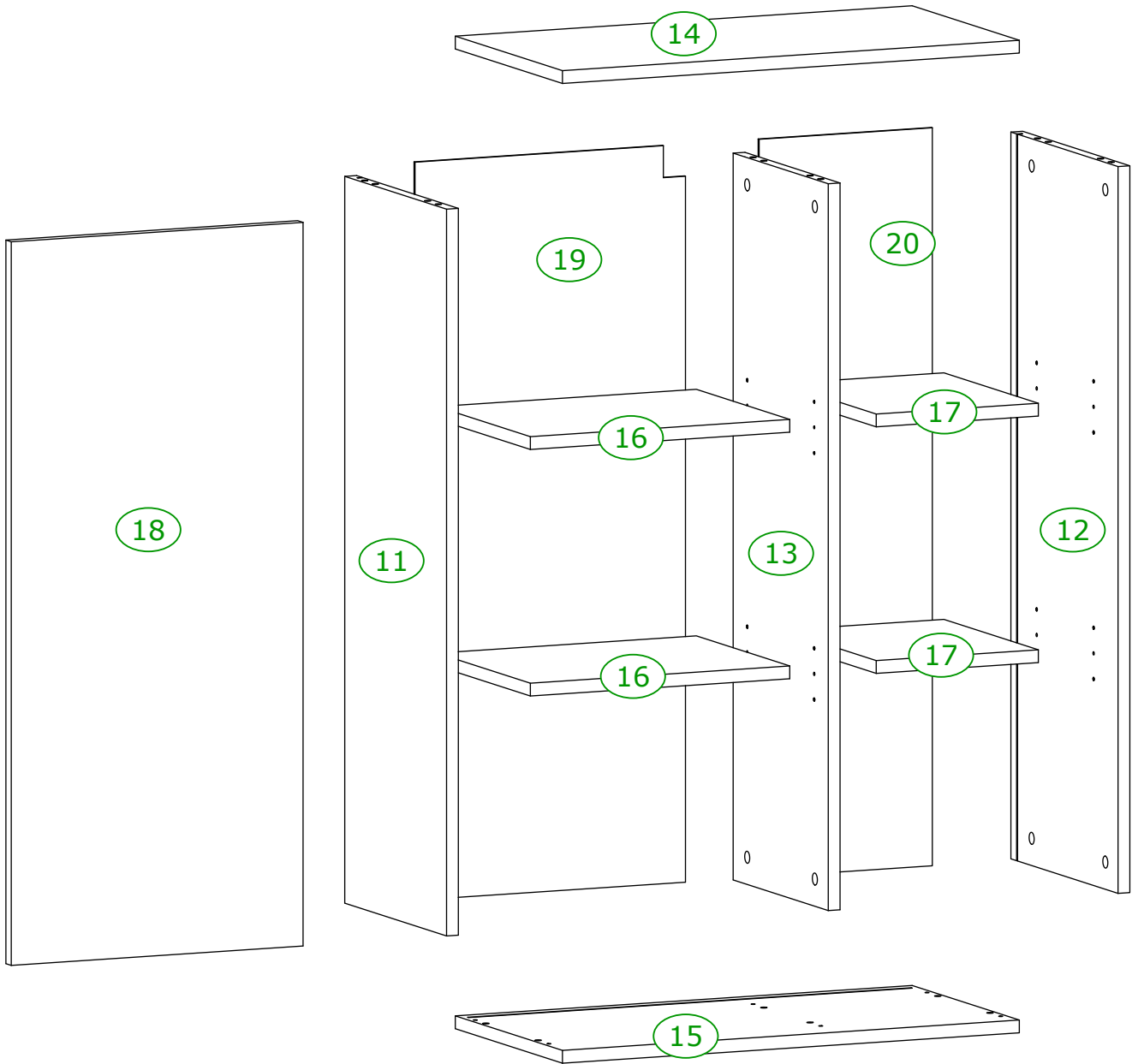
L1=L2



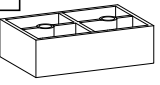
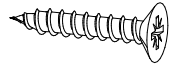
5

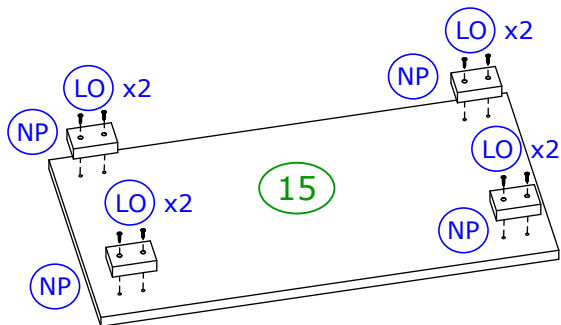


6






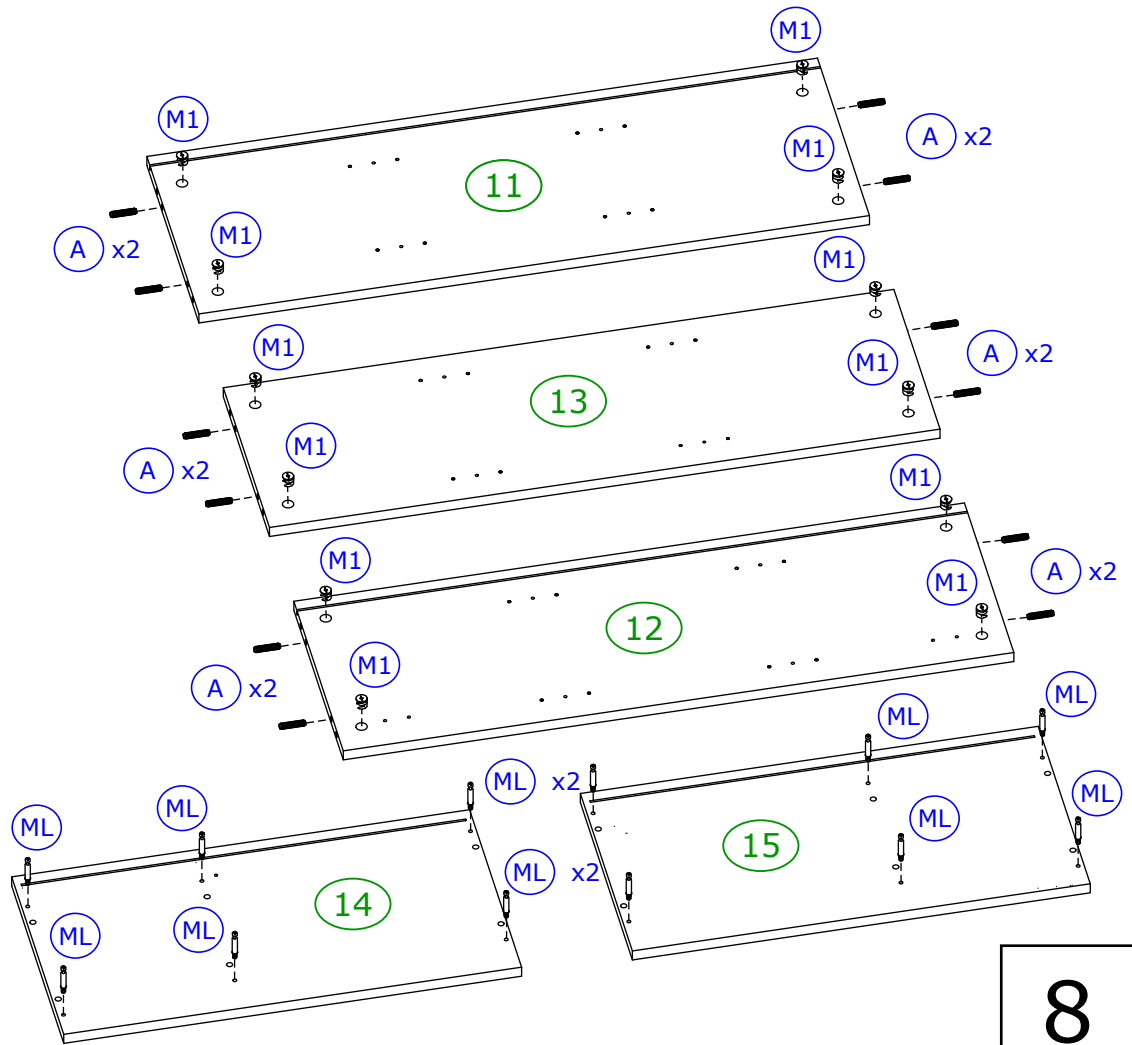
B

<b>NP</b>	4 x	<b>LO</b>	8 x
			
60 x 40 x 20		4 x 25	

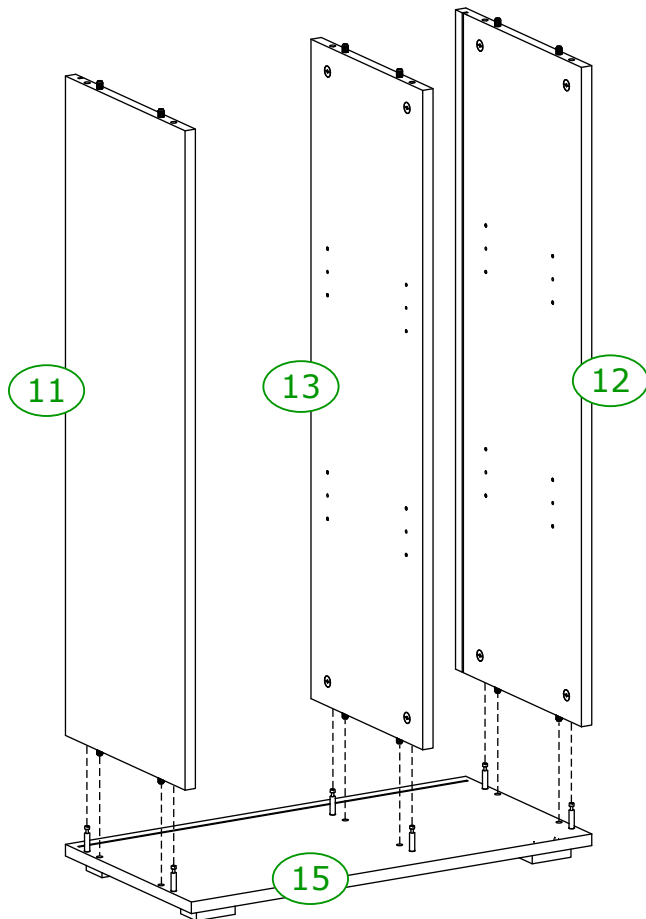
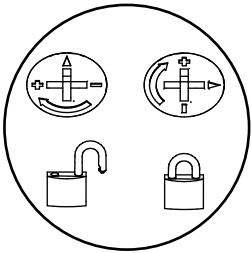


7

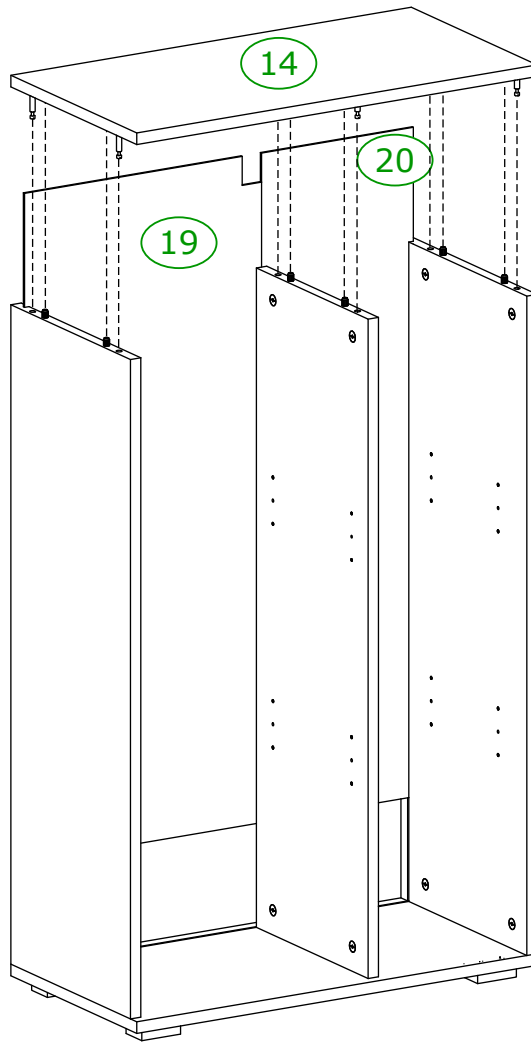
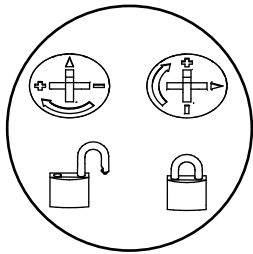
<b>A</b>	12 x
	
	8 x 35
<b>ML</b>	12 x
	
<b>M1</b>	12 x
	



8

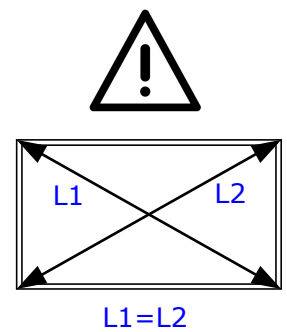
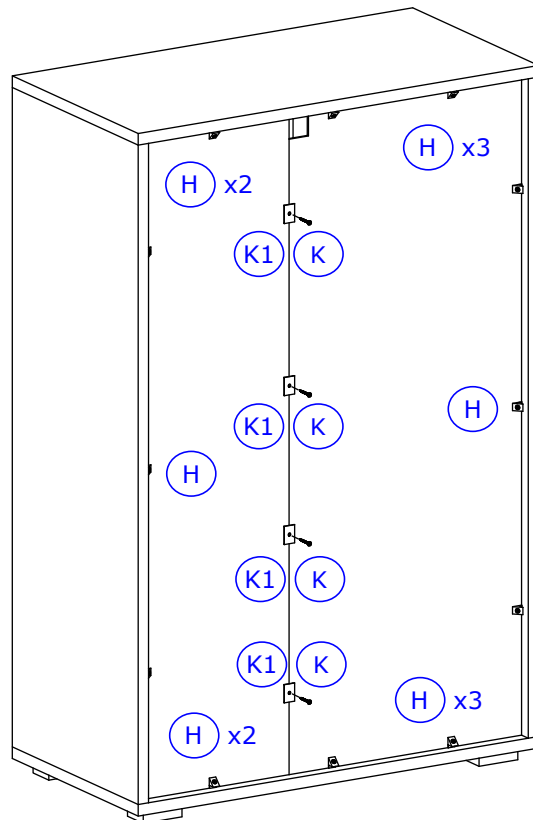


9



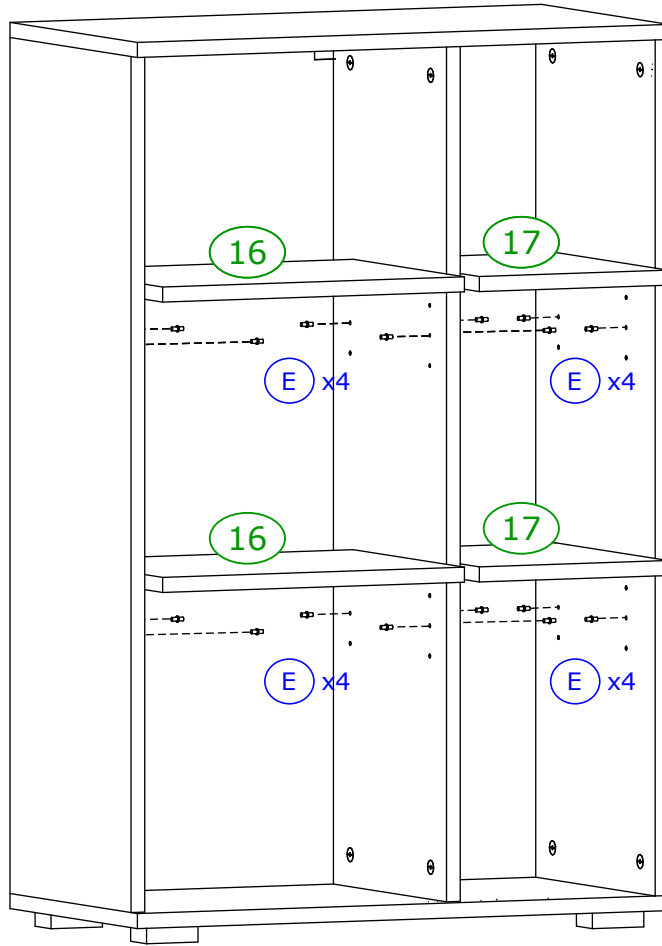
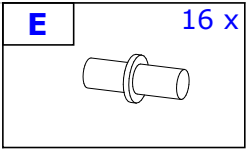
10

<b>H</b>	12 x
<b>K</b>	4 x
<b>K1</b>	3 x 25 4 x

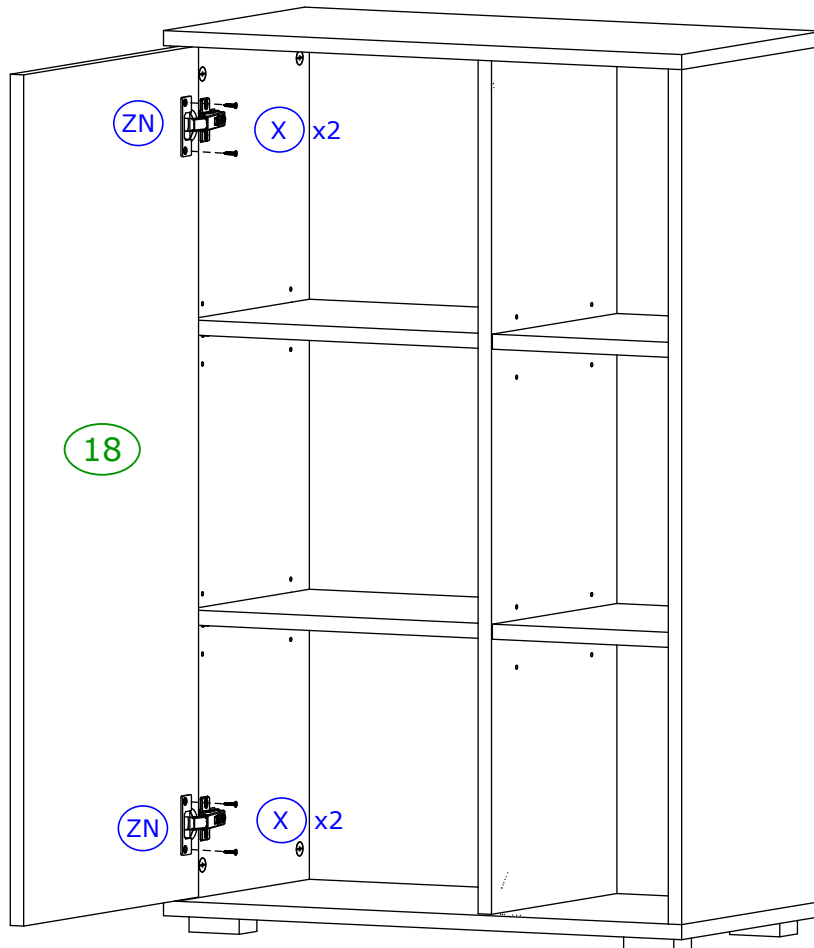
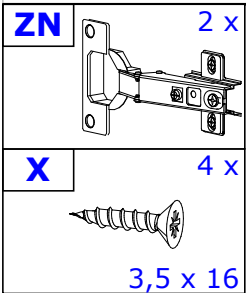


11

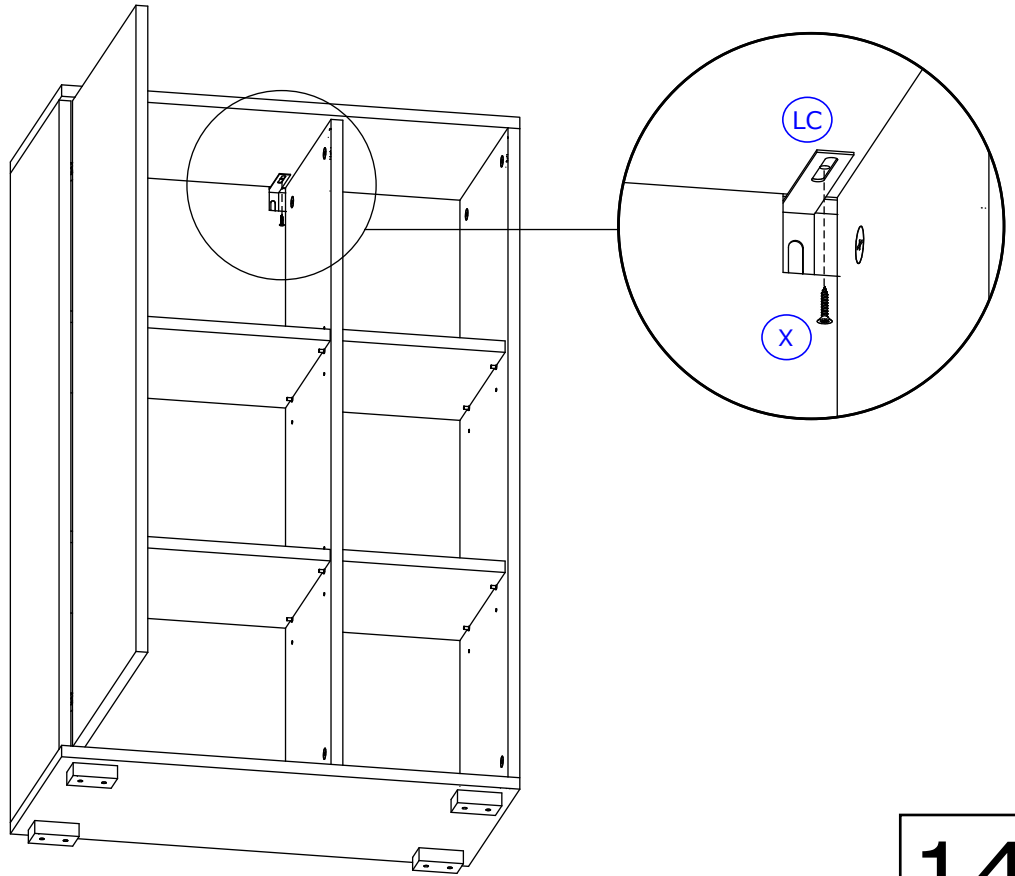
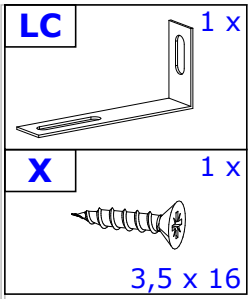




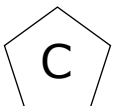
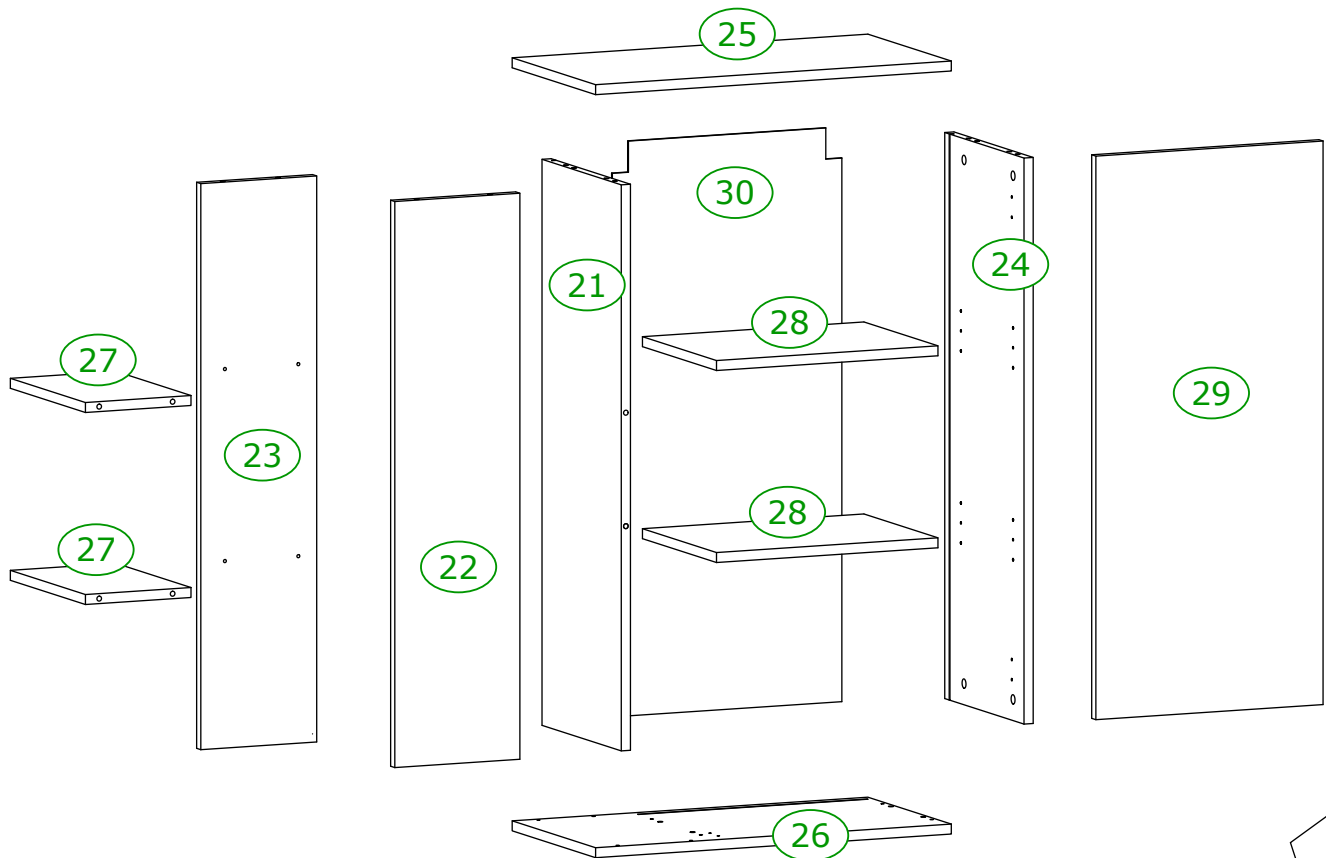
12

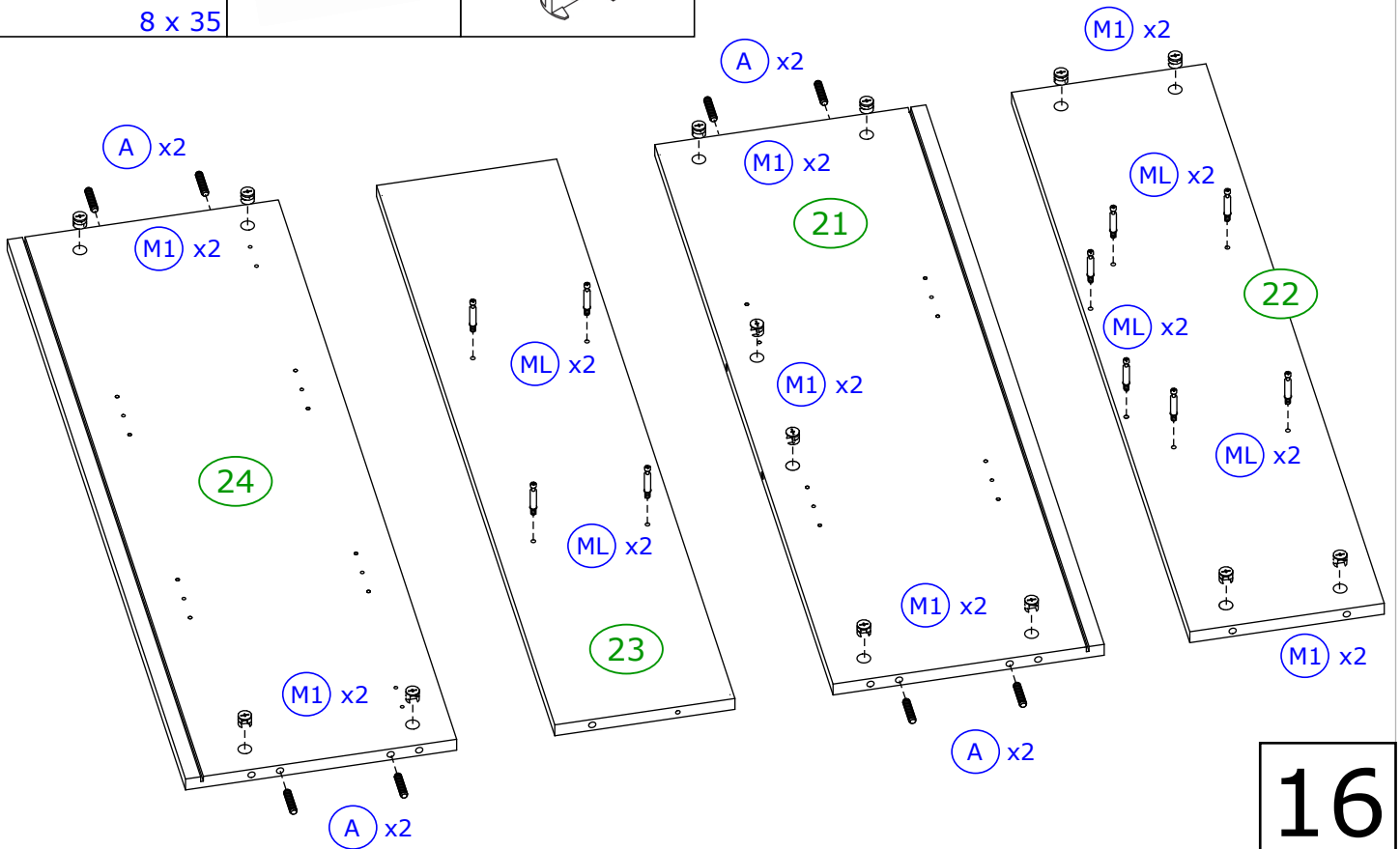
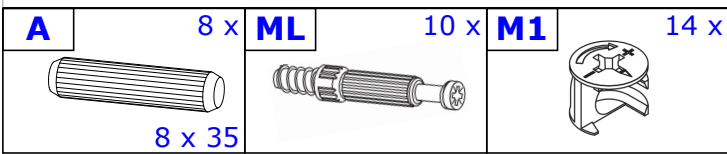
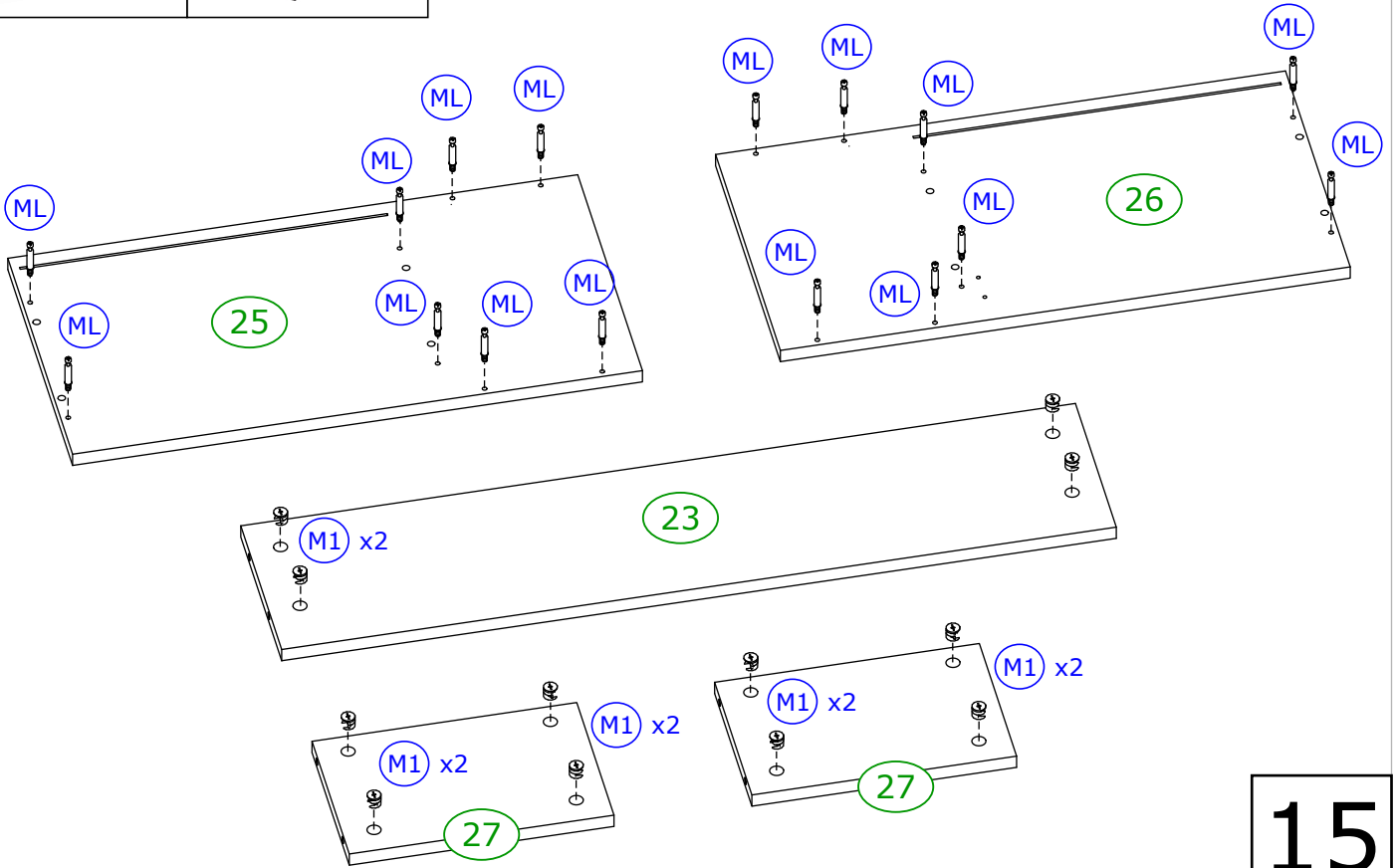
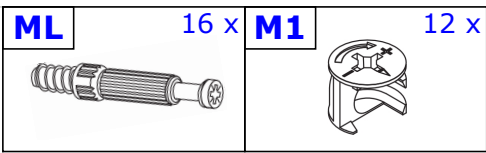


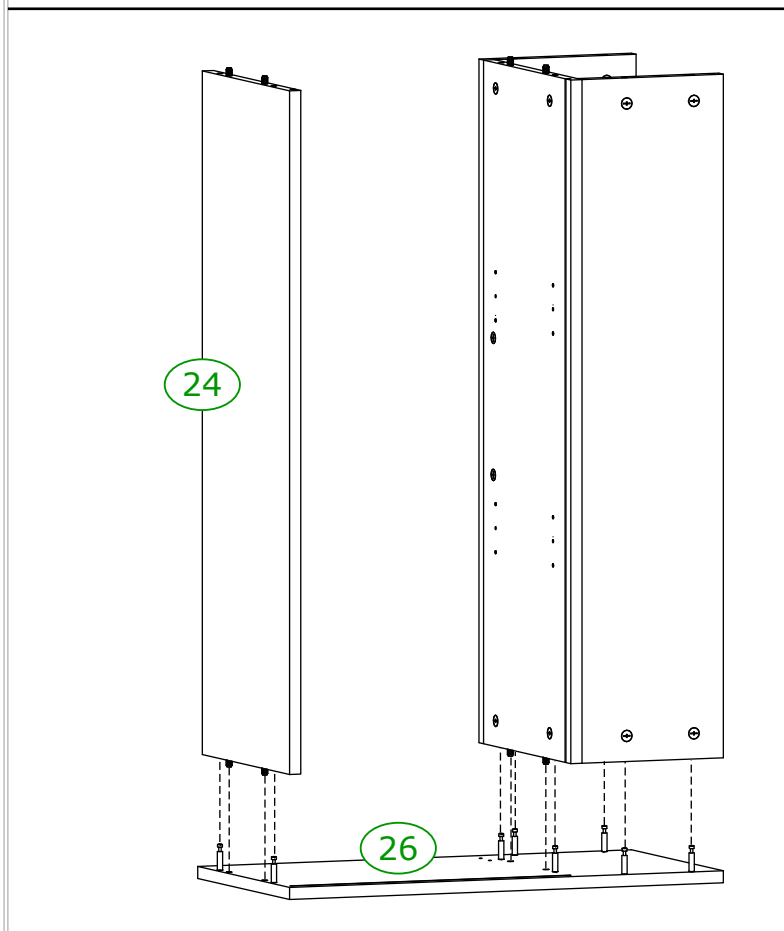
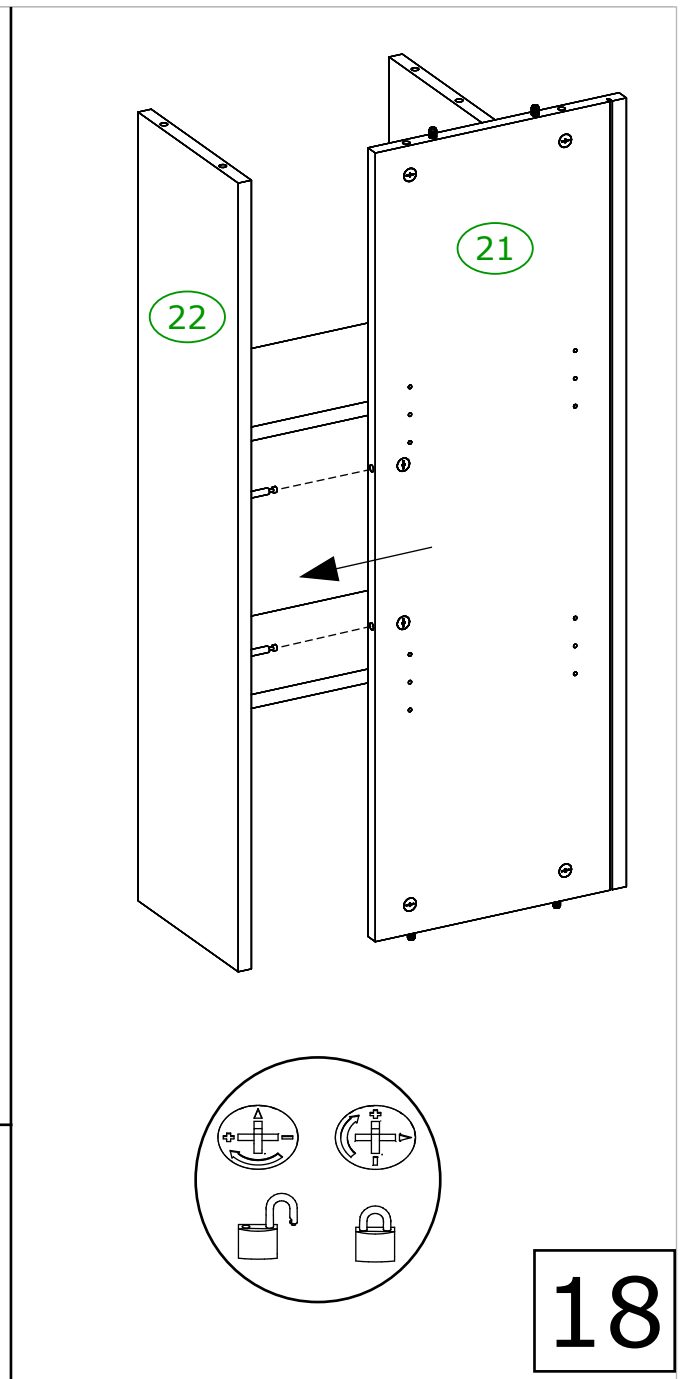
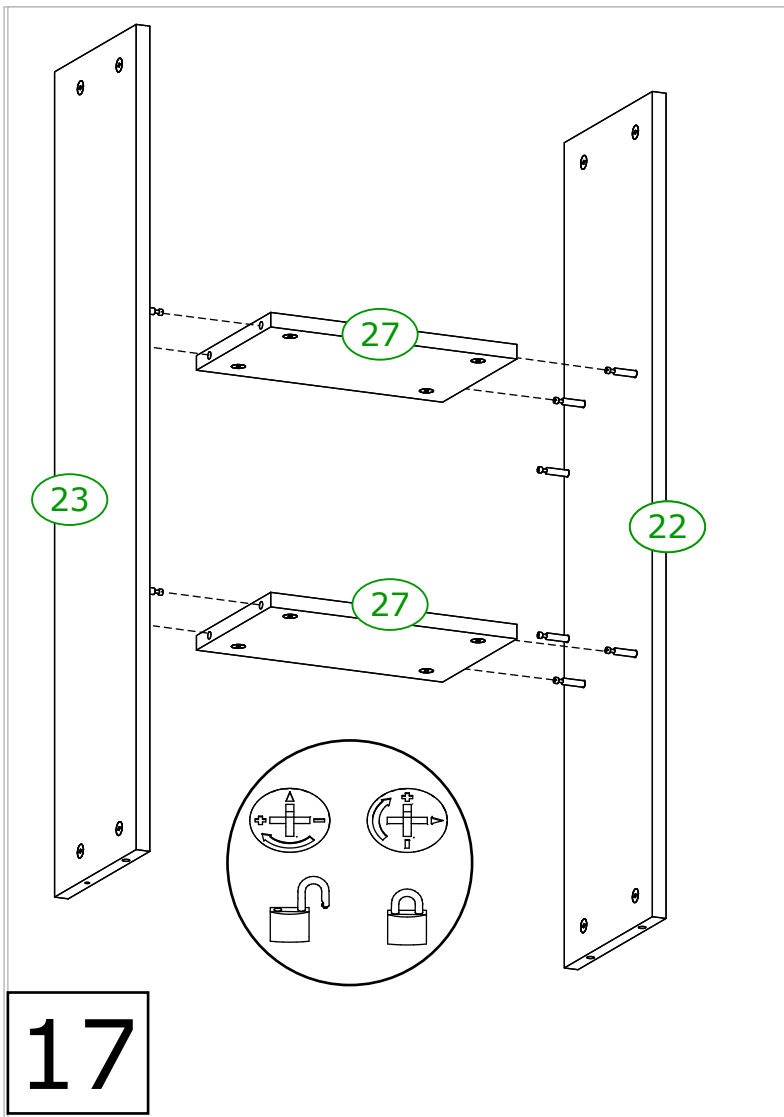
13

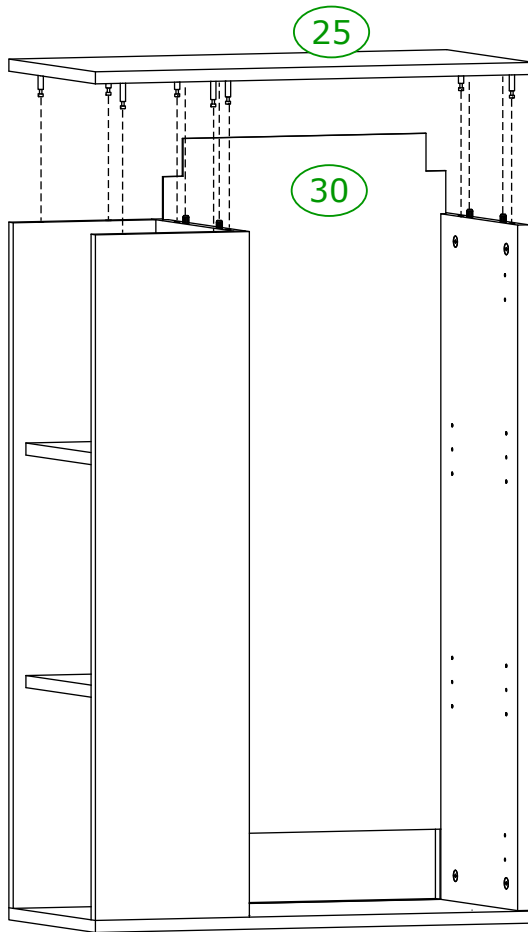
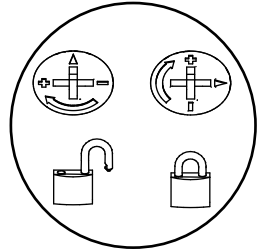


**14**

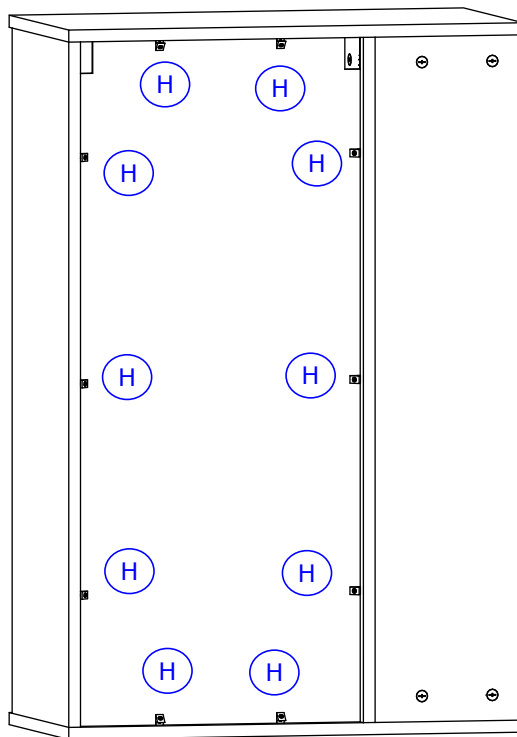
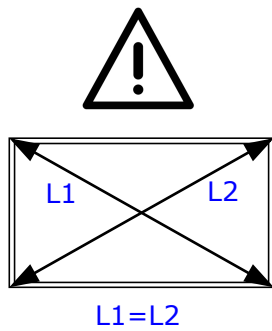
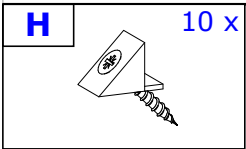




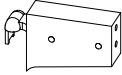
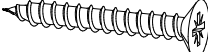



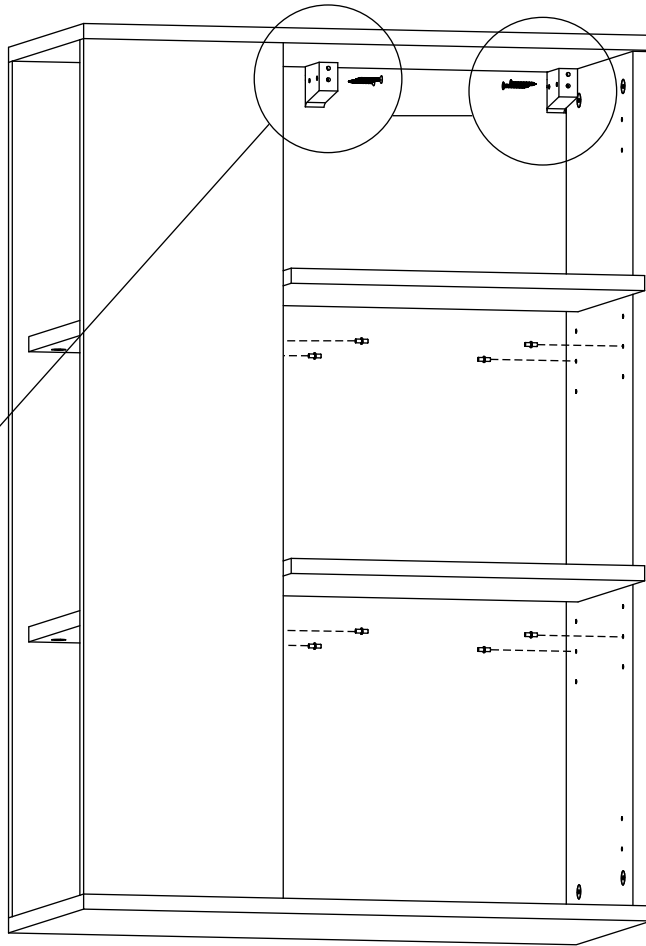
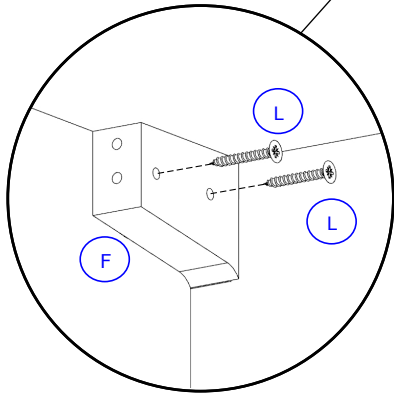


20

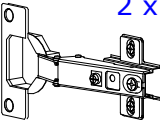
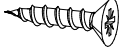



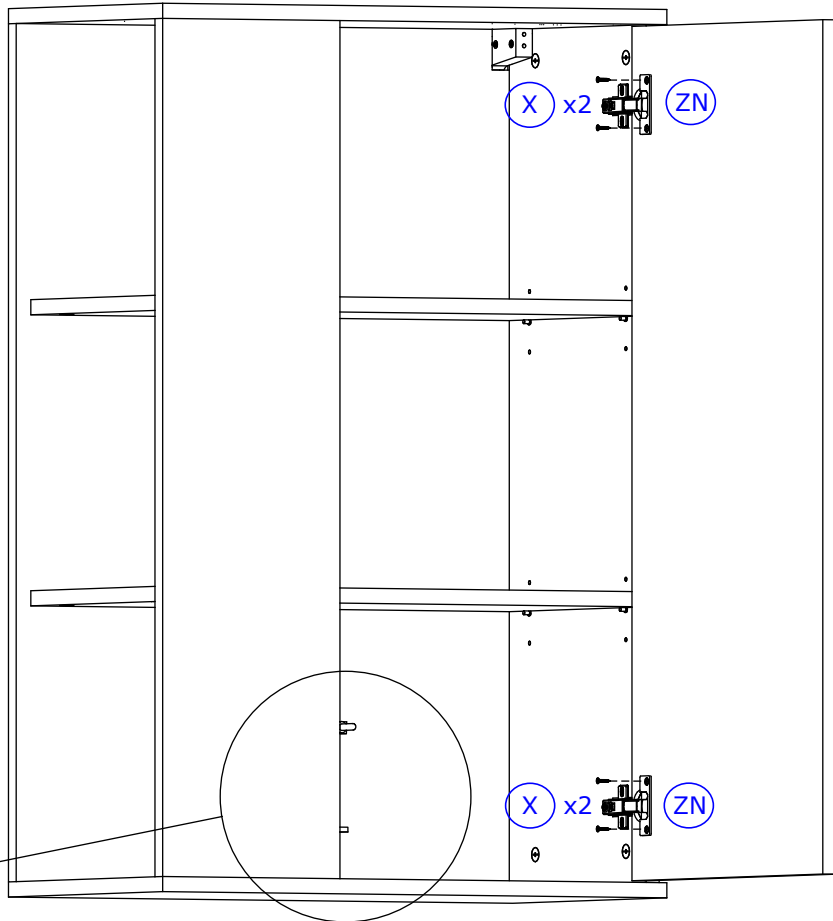
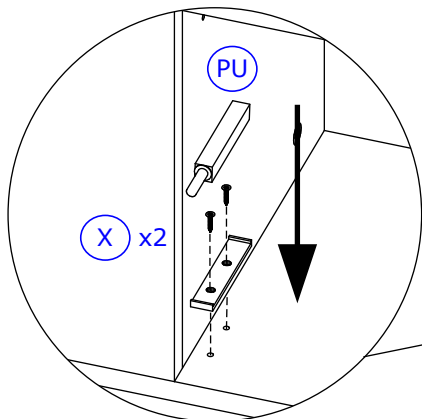
21

- F** 2 x 
- L** 4 x   
4 x 30
- E** 8 x 



22

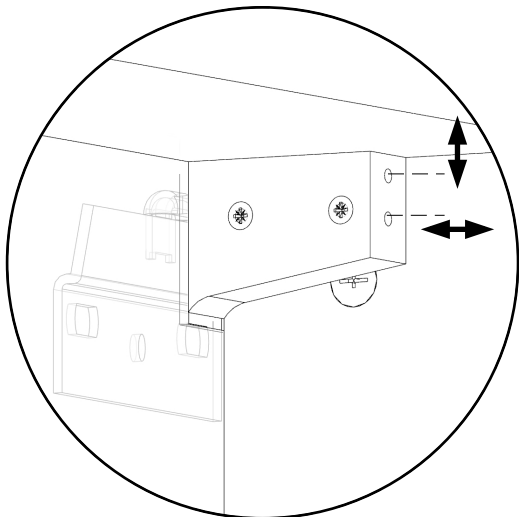
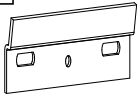
- ZN** 2 x 
- X** 6 x   
3,5 x 16
- PU** 1 x 



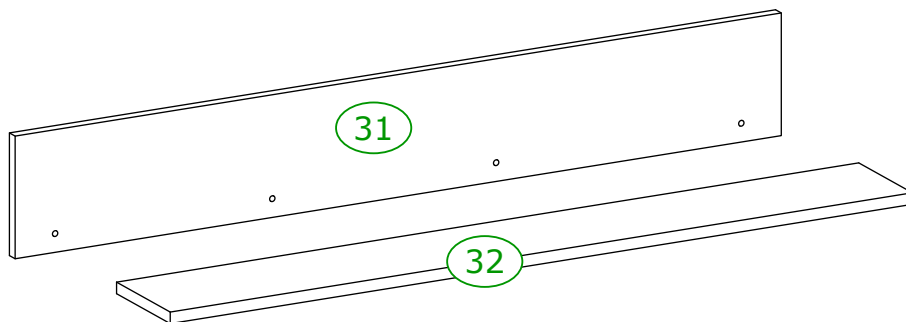
23

FB

2 x



23



D

D

4 x

