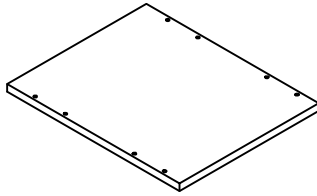
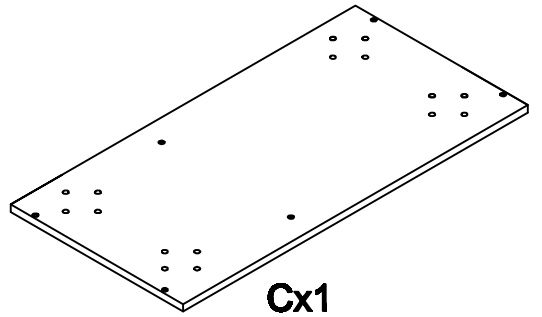


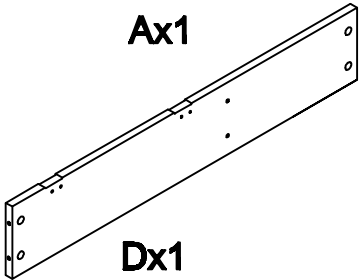
Ax1



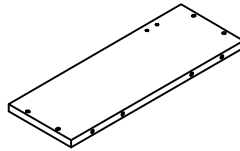
Bx1



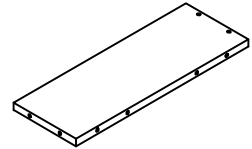
Cx1



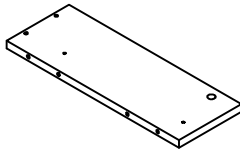
Dx1



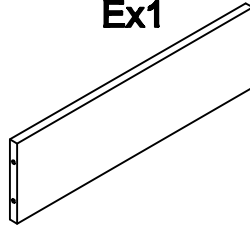
Ex1



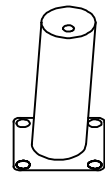
Fx1



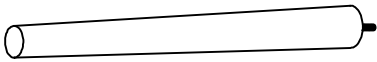
Gx1



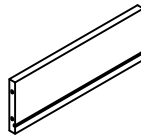
Hx1



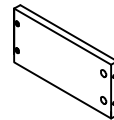
Ix4



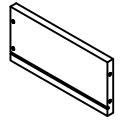
Jx4



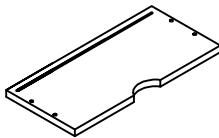
Kx1



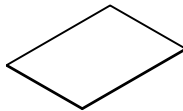
Lx1



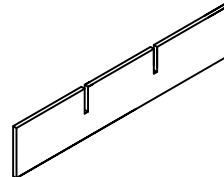
Mx1



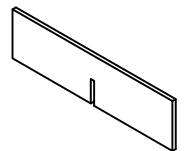
Nx1



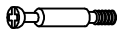
Ox1



Px1



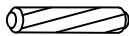
Qx2



ax16



bx16



cx10



dx12



ex1



fx1



gx1



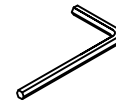
hx1



ix8



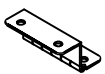
jx16



kx1



lx4



mx2

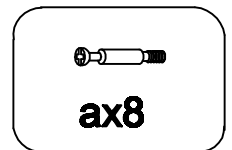
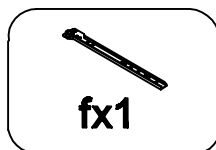
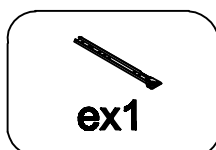
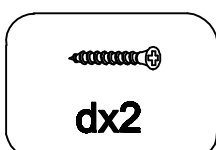
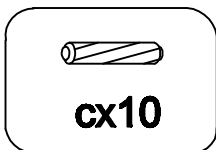
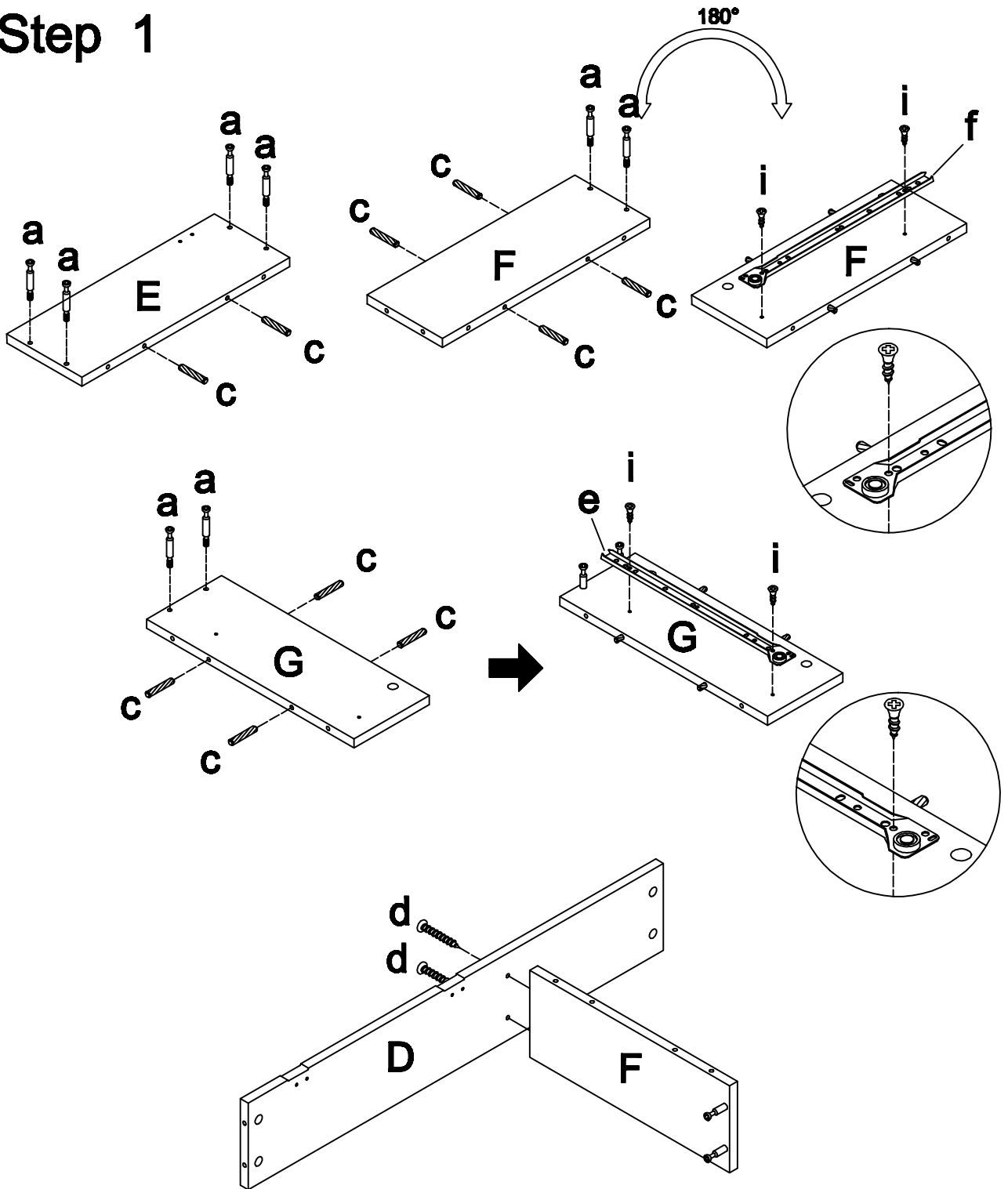


nx12

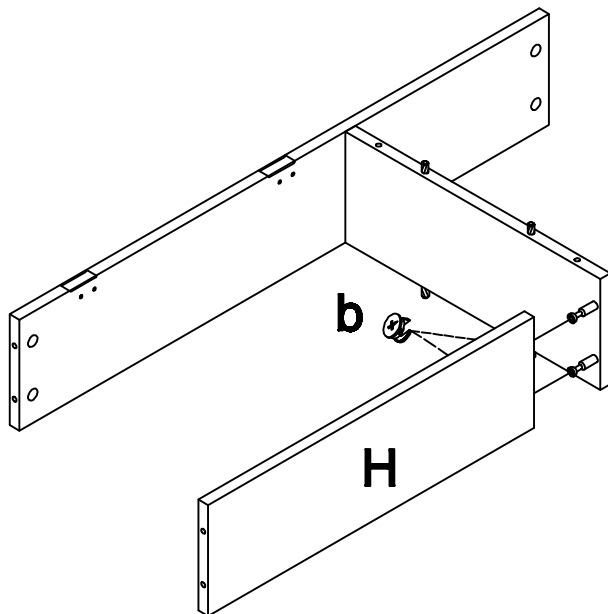


ox1

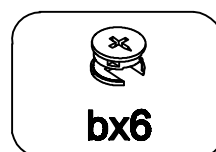
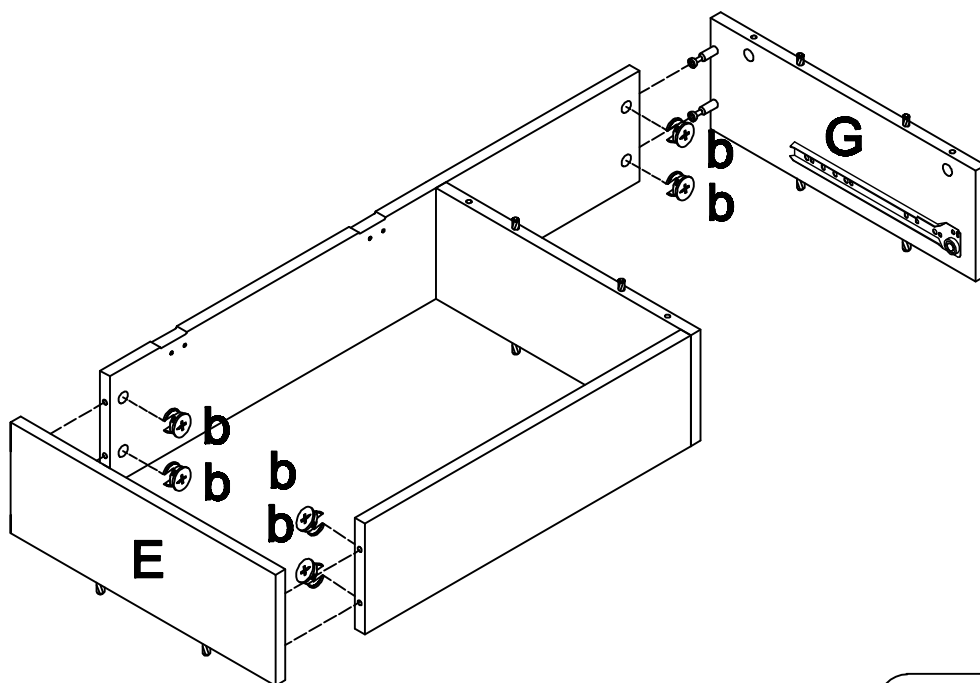
Step 1



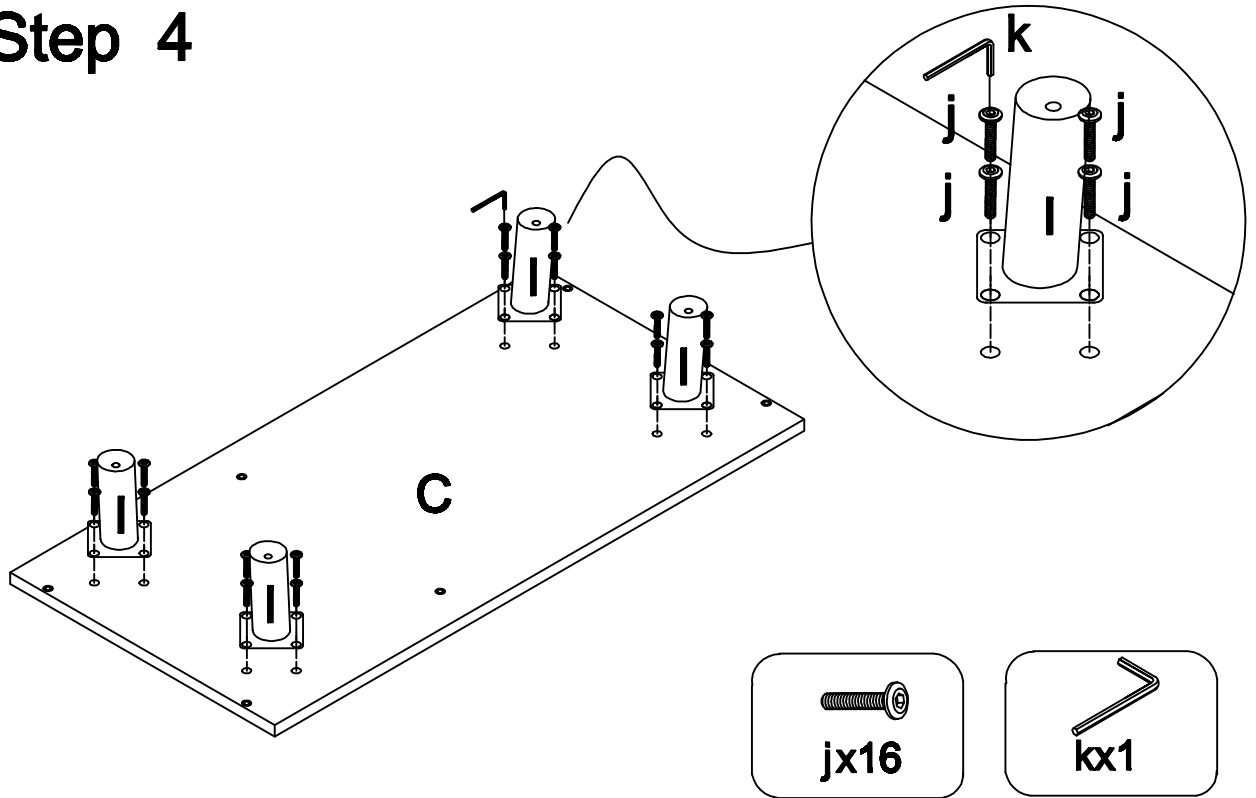
Step 2



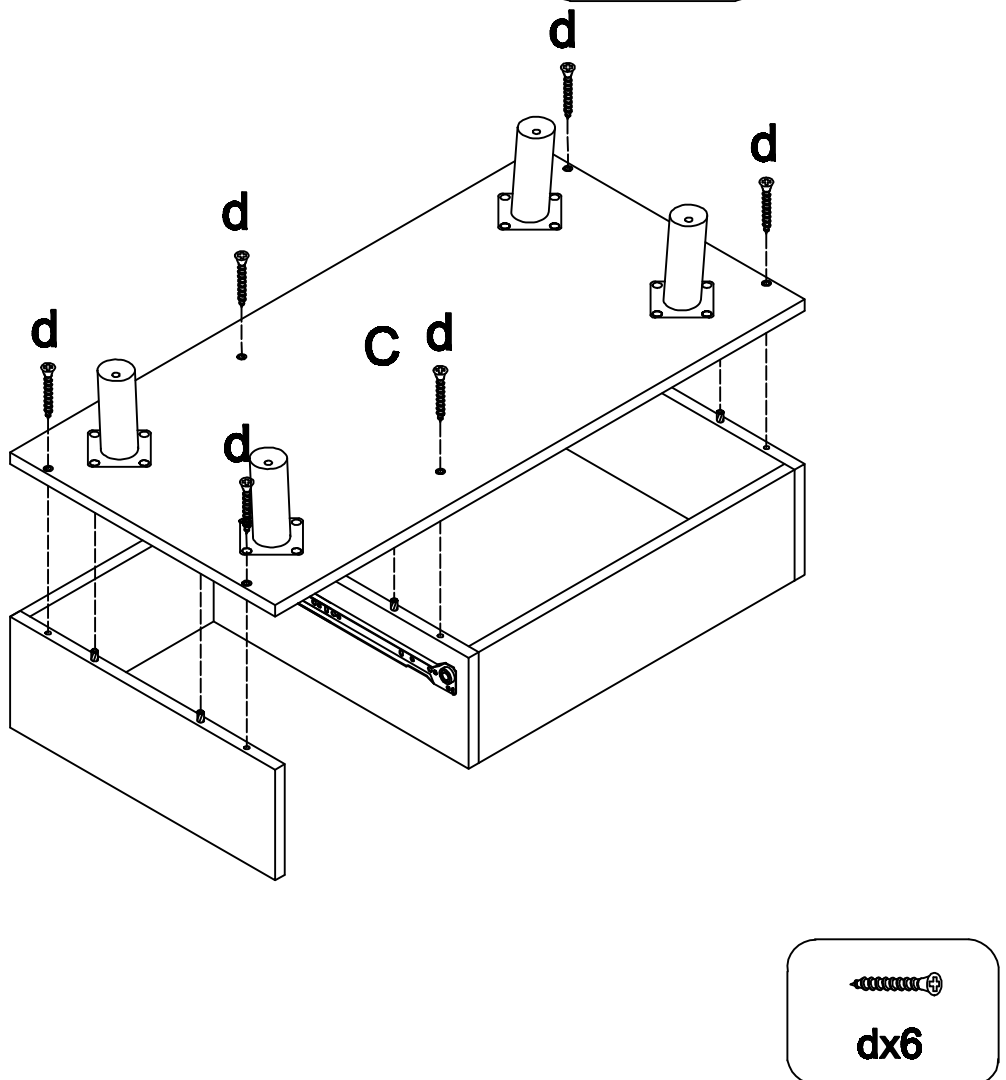
Step 3



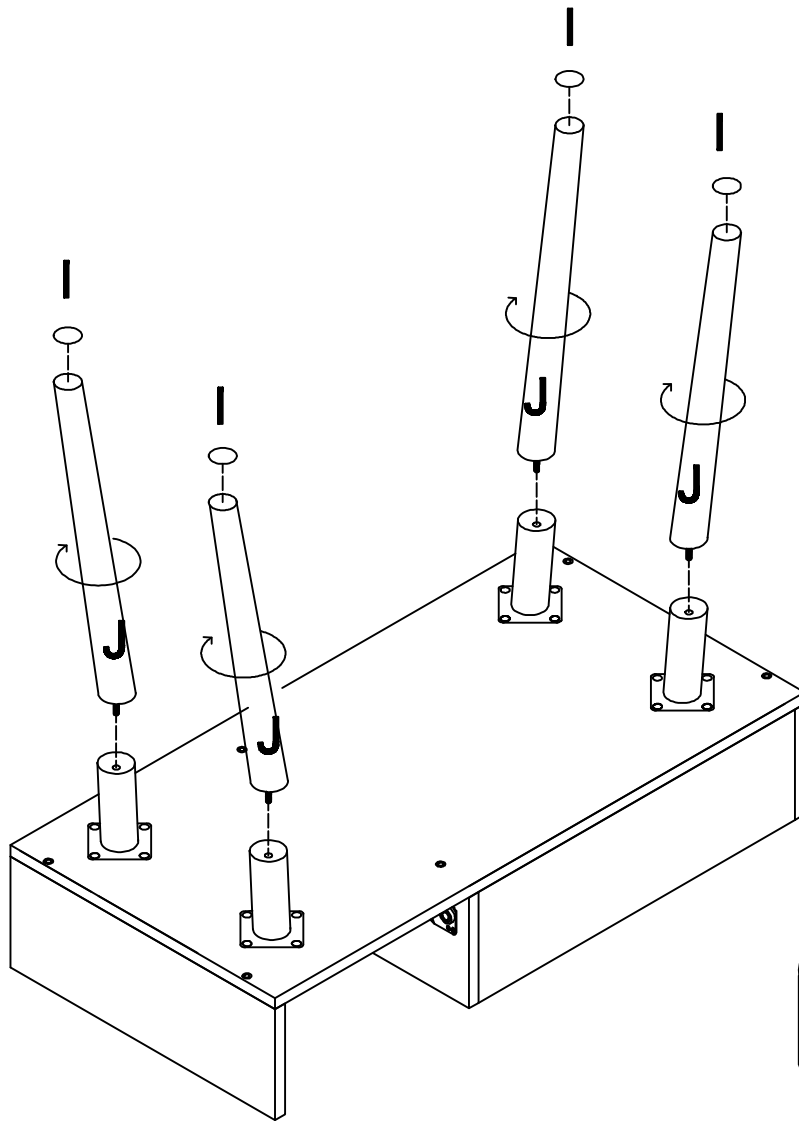
Step 4



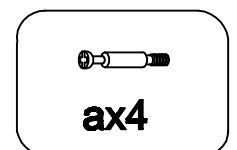
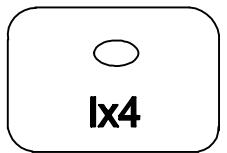
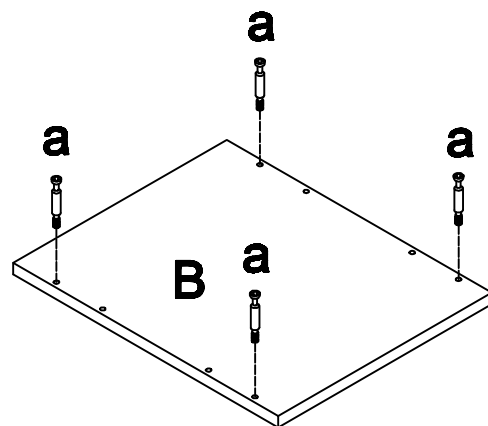
Step 5



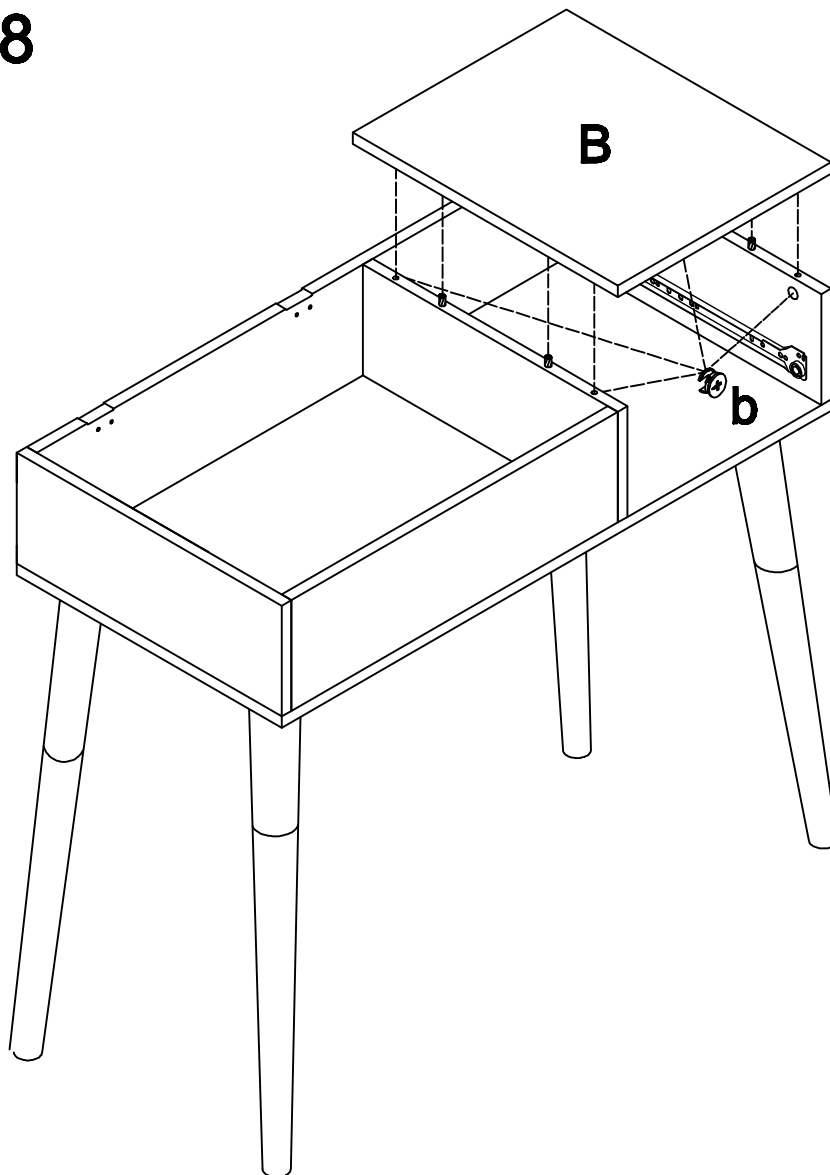
Step 6



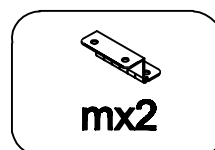
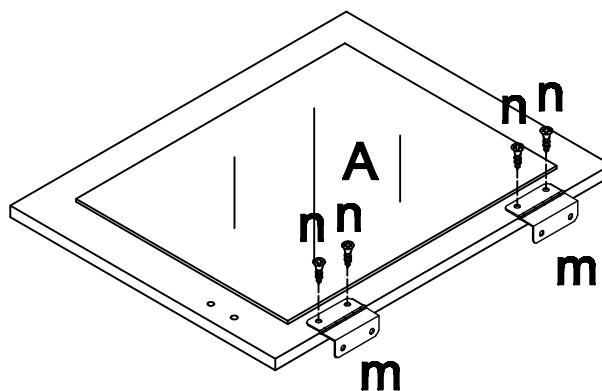
Step 7



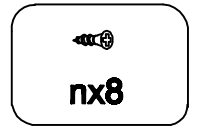
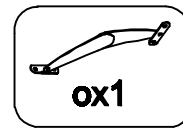
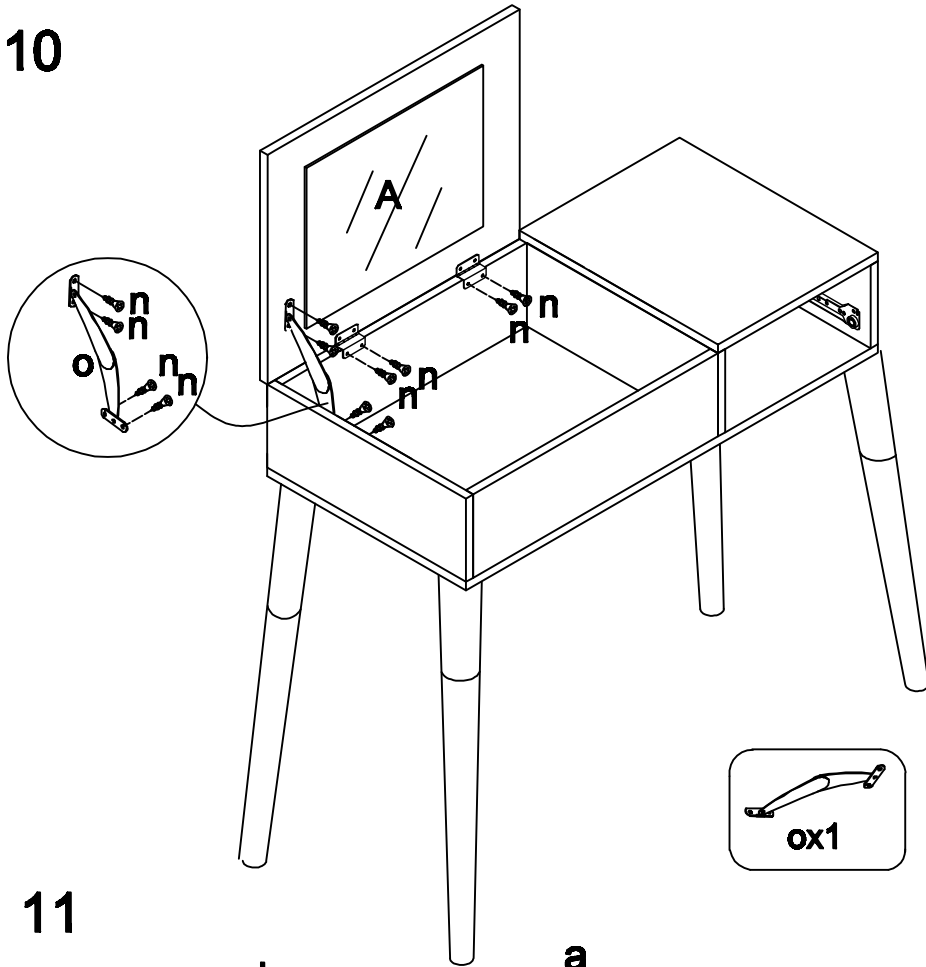
Step 8



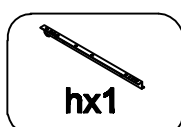
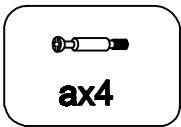
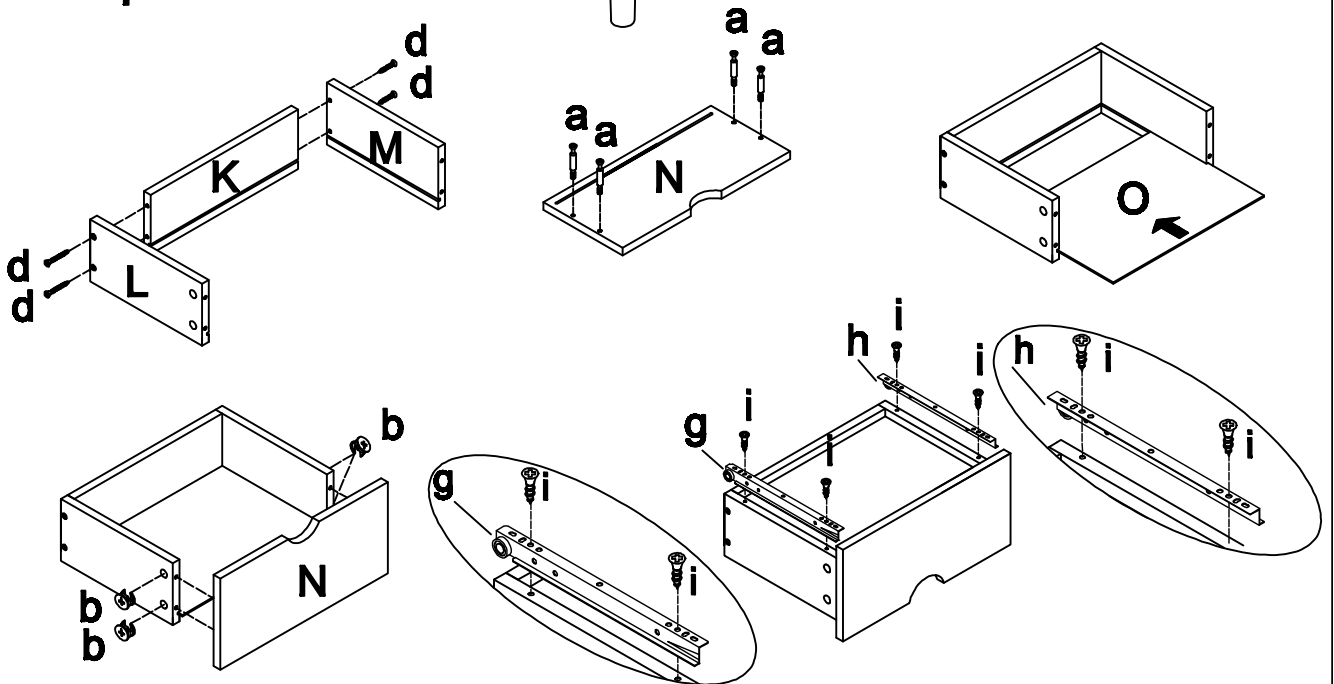
Step 9



Step 10



Step 11



Step 12

