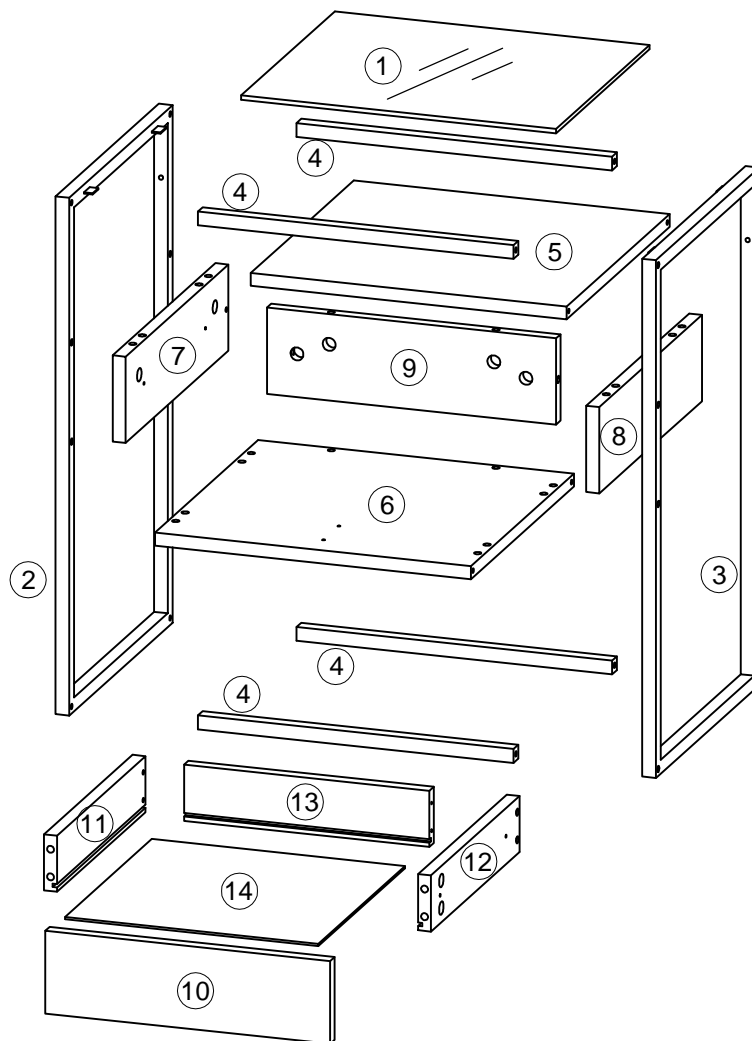
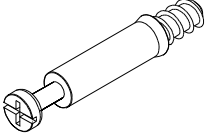
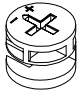
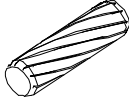
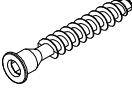


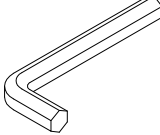
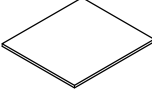

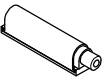






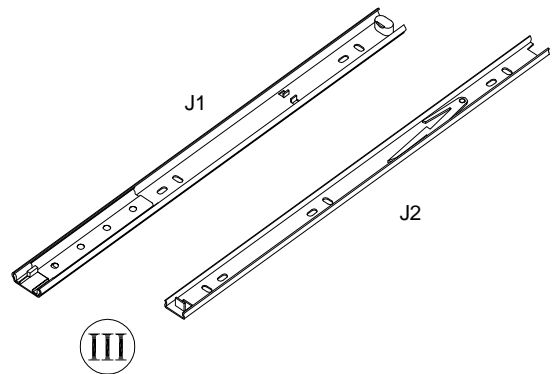
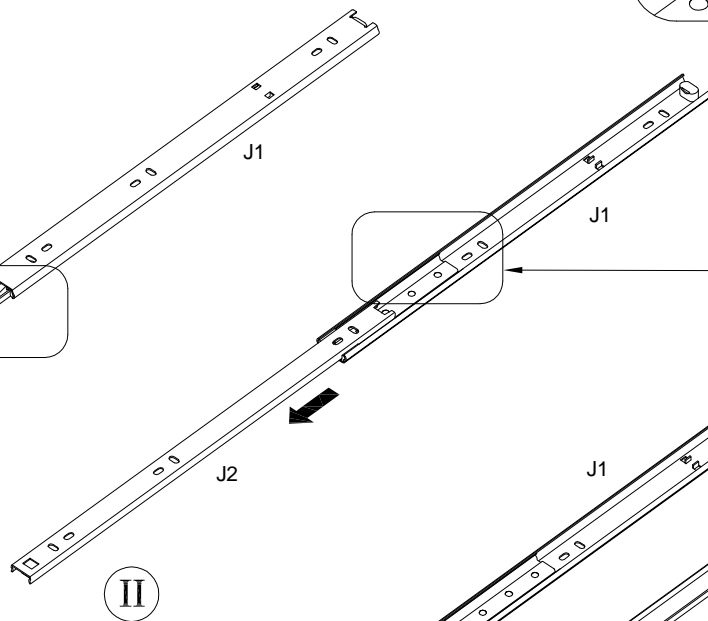
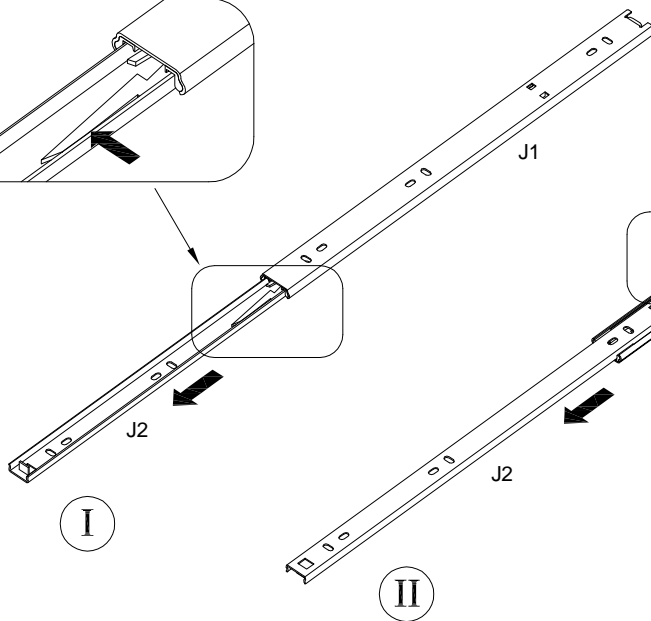
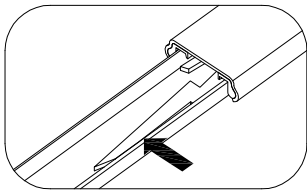
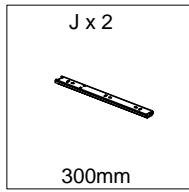
			✓
①	1	367x316x5	
②	1	600x350x26/16	
③	1	600x350x26/16	
④	4	368x16x16	
⑤	1	368x349x15	
⑥	1	368x349x15	
⑦	1	348x100x15	

			✓
⑧	1	348x100x15	
⑨	1	337x100x15	
⑩	1	332x96x15	
⑪	1	300x65x15	
⑫	1	300x65x15	
⑬	1	286x65x15	
⑭	1	295x295x2.75	

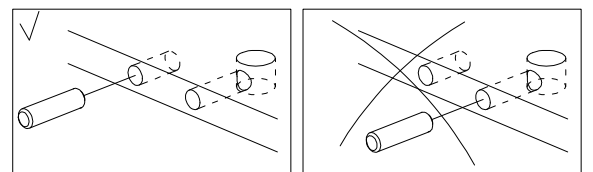
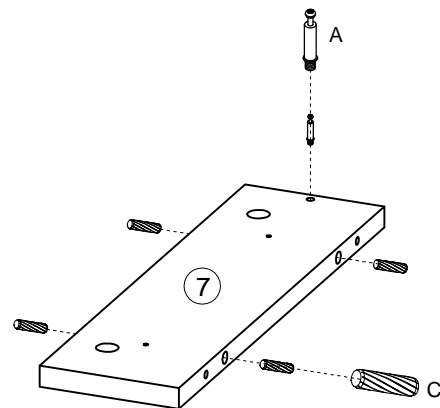
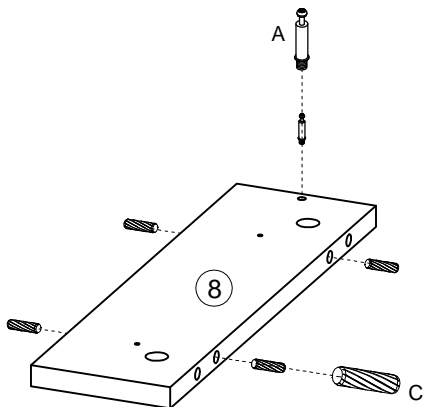
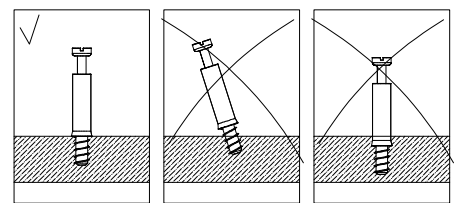
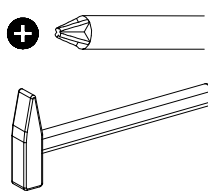
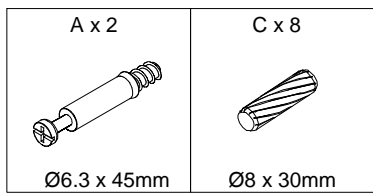


<p>A x 12</p>  <p>Ø6.3 x 45mm</p>	<p>B x 12</p>  <p>Ø15 x 12mm</p>	<p>C x 8</p>  <p>Ø8 x 30mm</p>	<p>D x 14</p>  <p>Ø7 x 48mm</p>	<p>E x 8</p>  <p>M6 x 35mm</p>
<p>F x 4</p>  <p>Ø10</p>	<p>G x 1</p>  <p>4mm</p>	<p>H x 4</p>  <p>15 x 15 x 3mm</p>	<p>J x 2</p>  <p>300mm</p>	<p>K x 1</p>  <p>120/80mm</p>
<p>L x 4</p>  <p>Ø4 x 35mm</p>	<p>M x 4</p>  <p>Ø20</p>	<p>N x 11</p>  <p>Ø3.5 x 14mm</p>	<p>P x 1</p>  <p>Ø3/Ø16</p>	

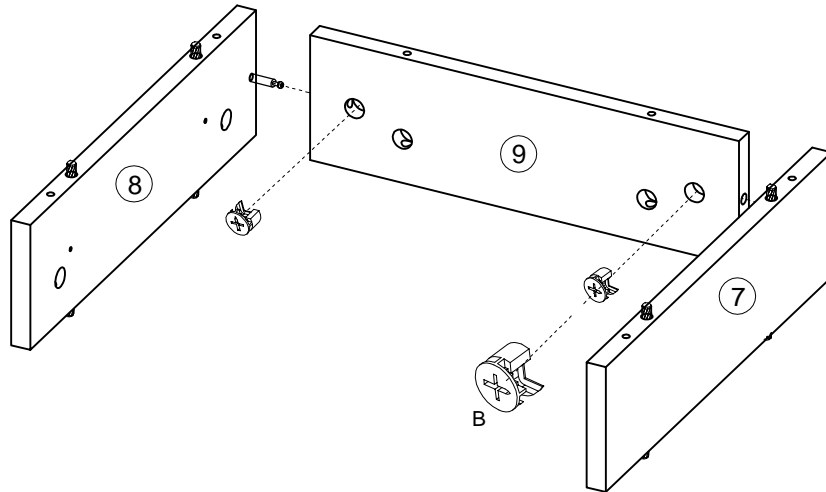
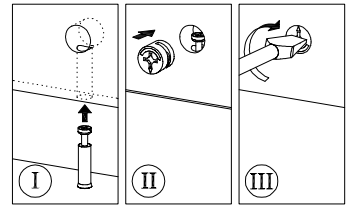
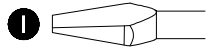
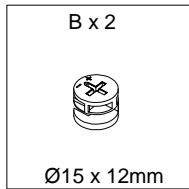
1



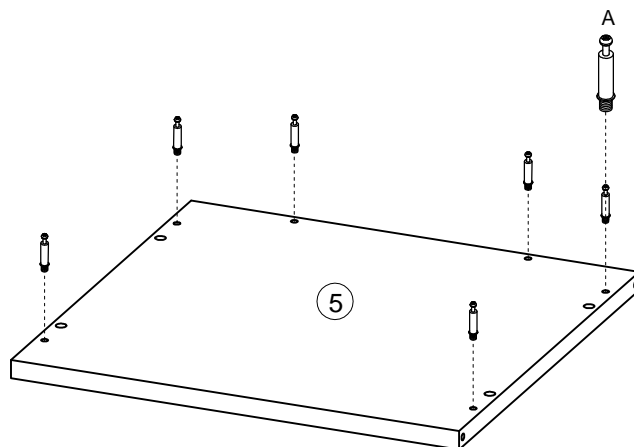
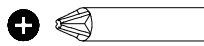
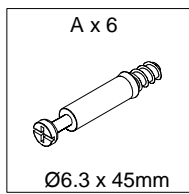
2



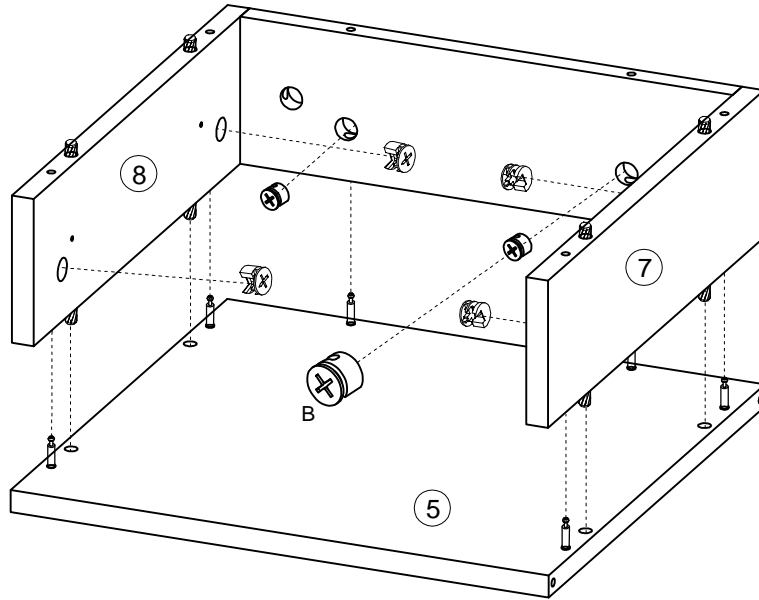
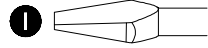
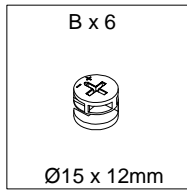
3



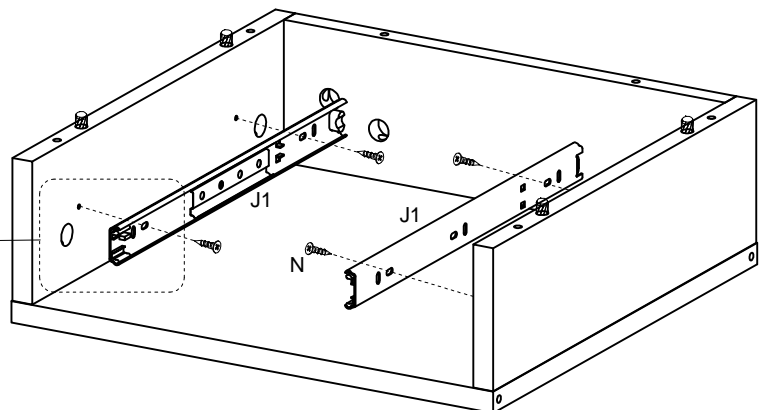
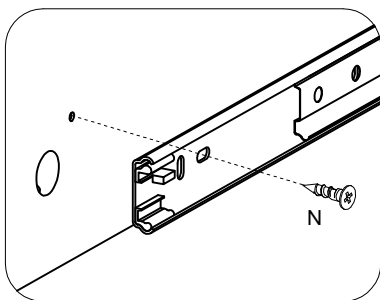
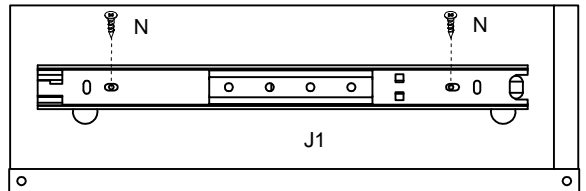
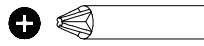
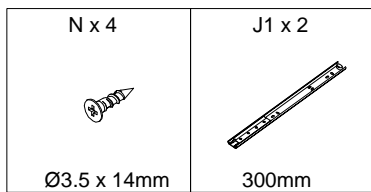
4





5

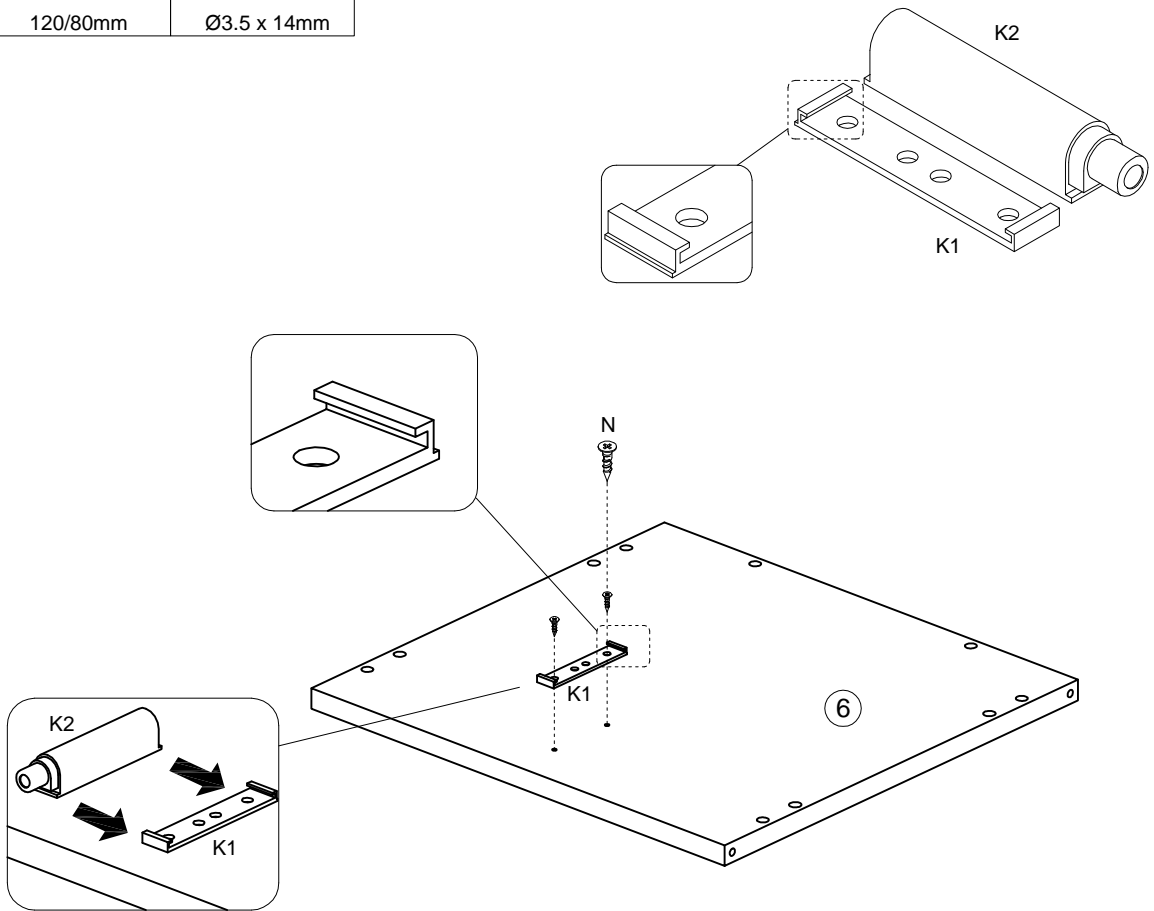


6


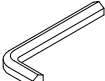


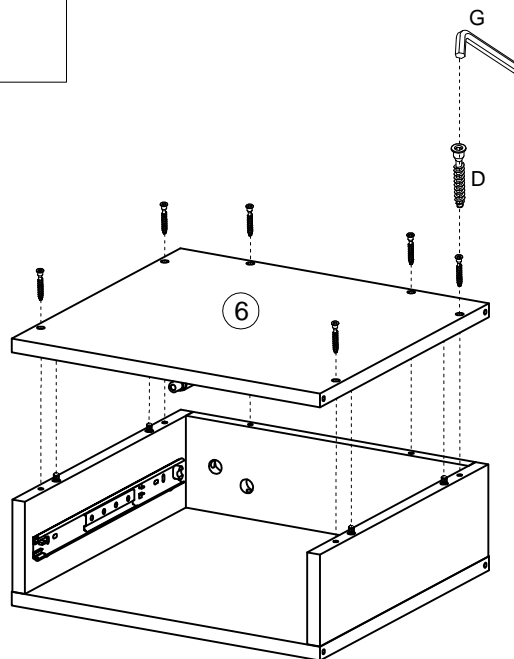
7

K x 1  120/80mm	N x 2  Ø3.5 x 14mm
--	---

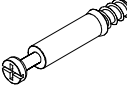




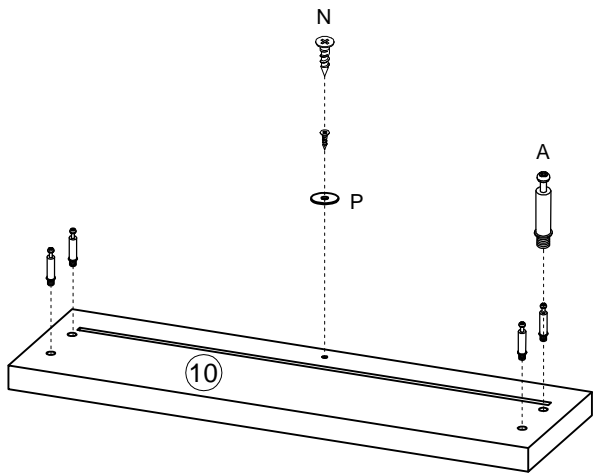
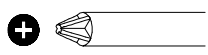
8

D x 6  Ø7 x 48mm	G x 1  4mm
---	---




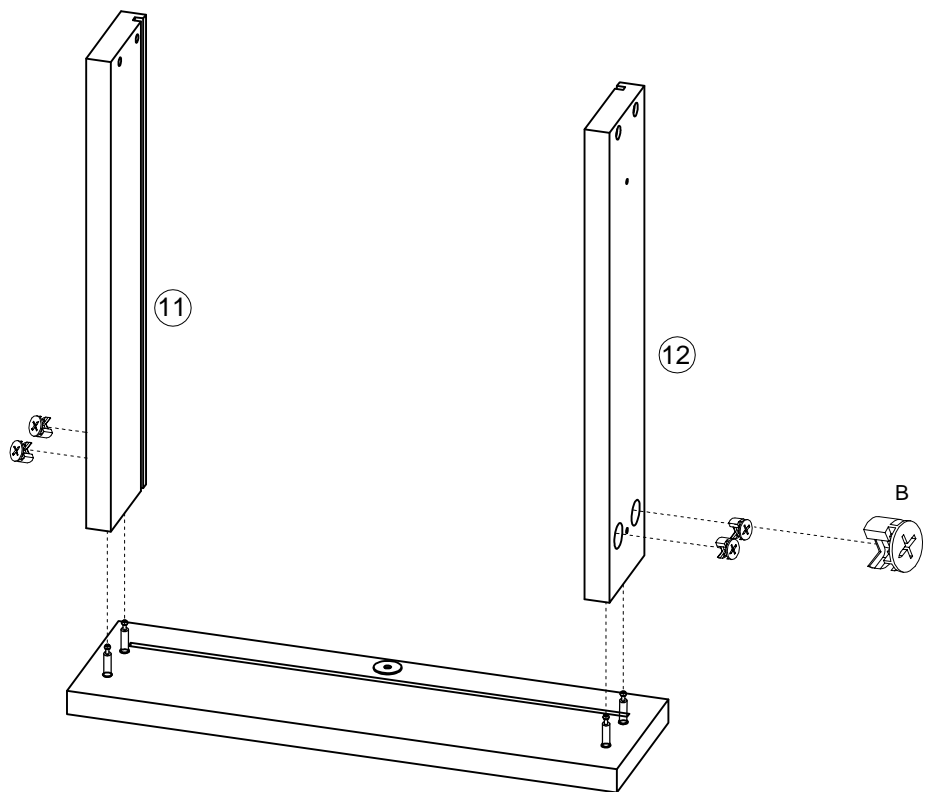
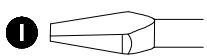
9

A x 4  Ø6.3 x 45mm	N x 1  Ø3.5 x 14mm	P x 1  Ø3/Ø16
---	---	--

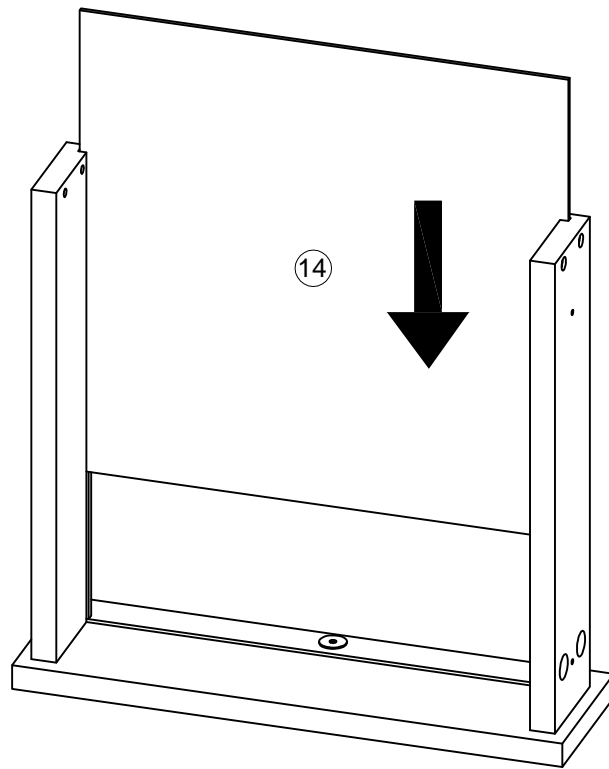


10



B x 4  Ø15 x 12mm
--

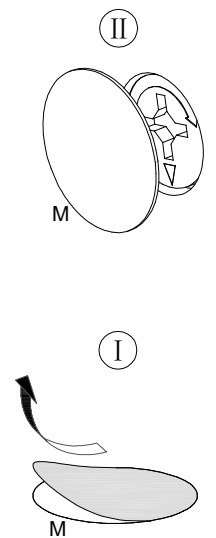
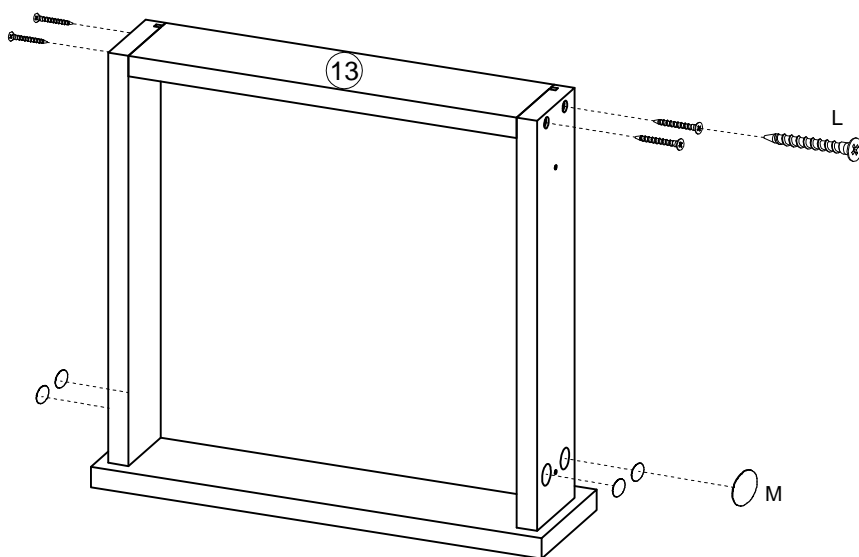
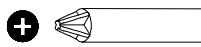


11

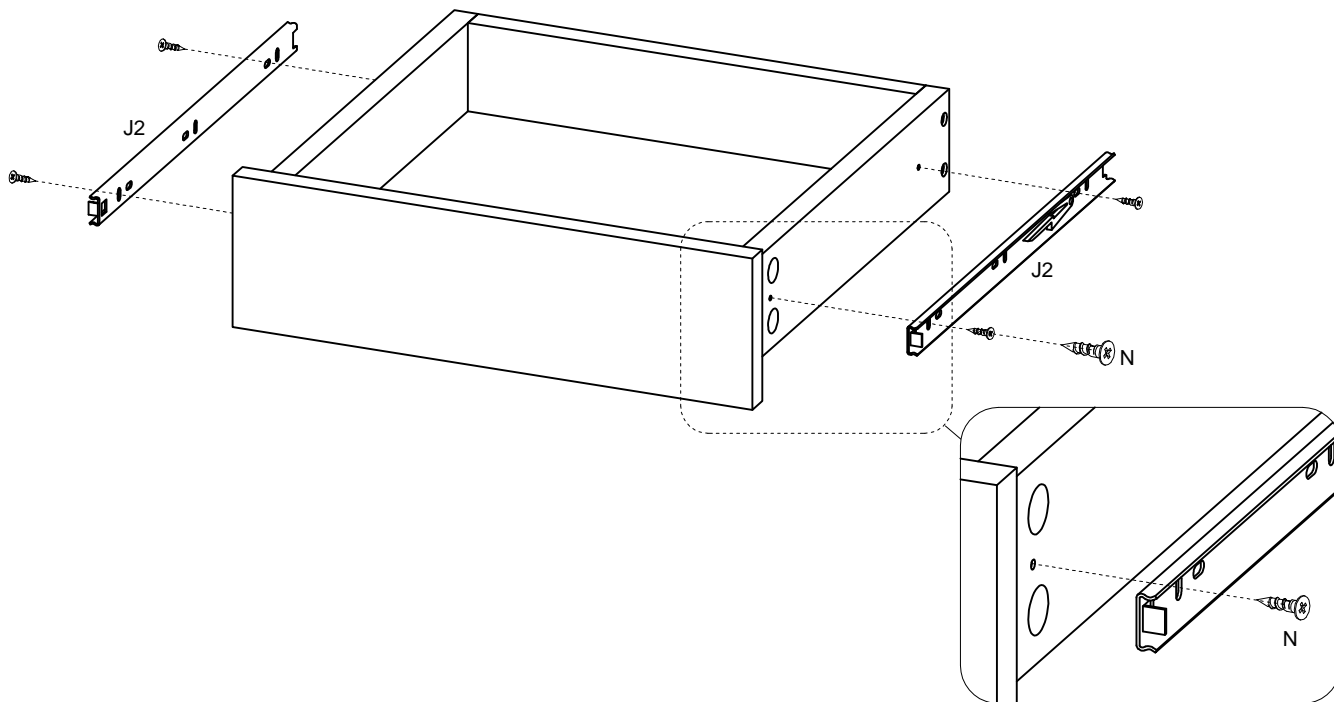
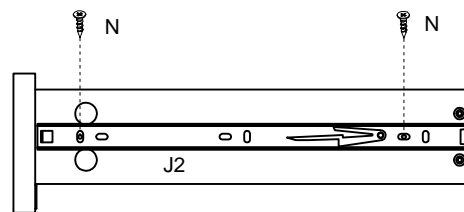
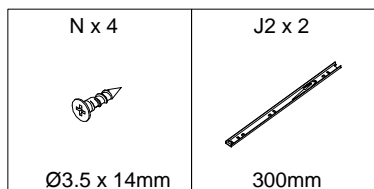


12

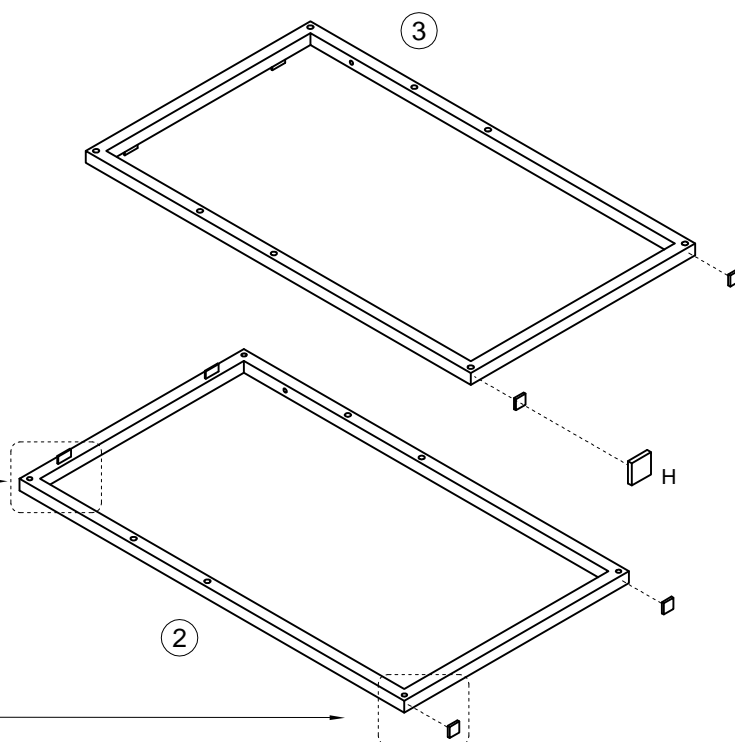
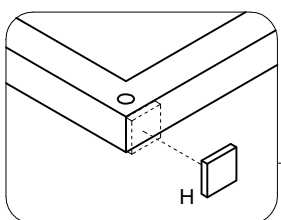
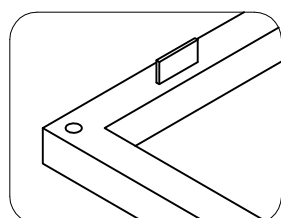
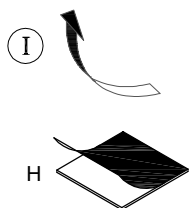
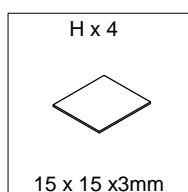
L x 4	M x 4
	
Ø4 x 35mm	Ø20




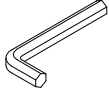
13

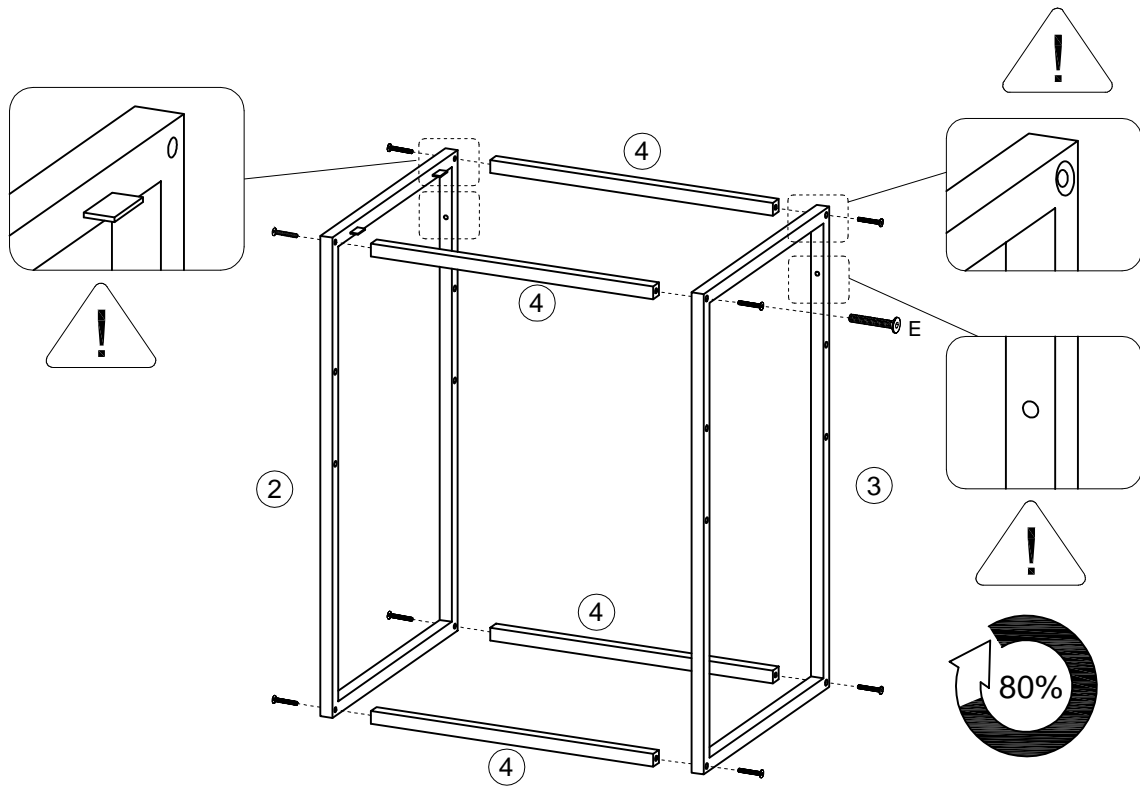


14

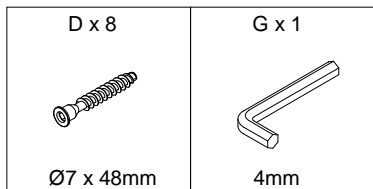


15

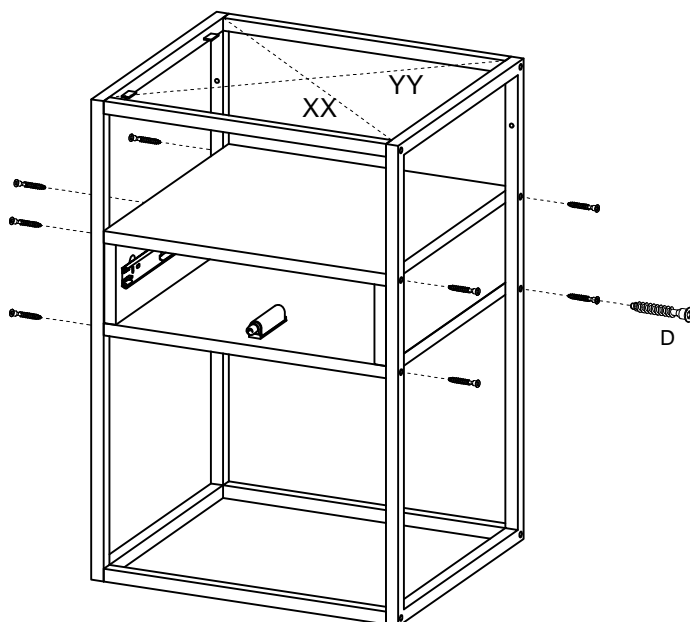
E x 8  M6 x 35mm	G x 1  4mm
---	---



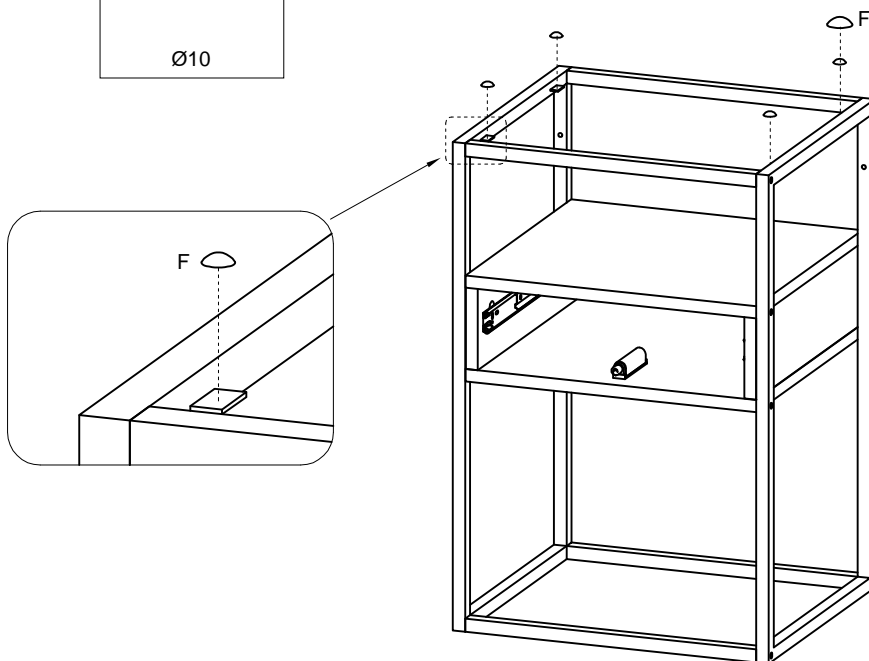
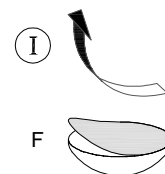
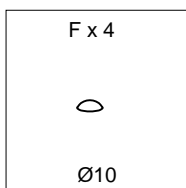
16



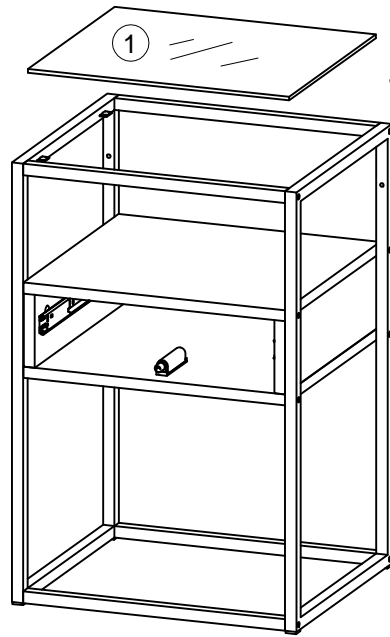
E x 8



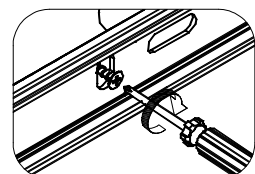
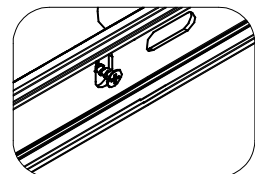
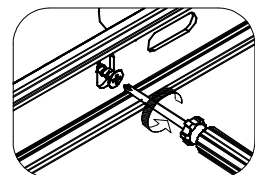
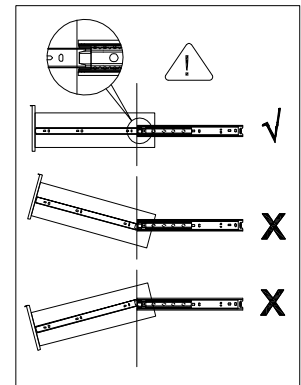
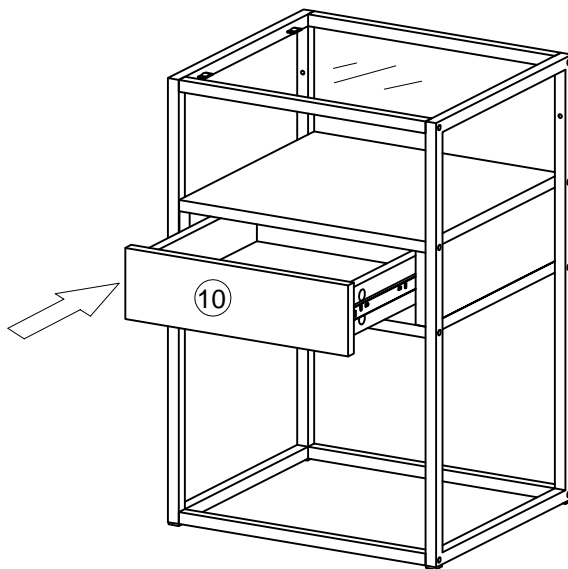
17



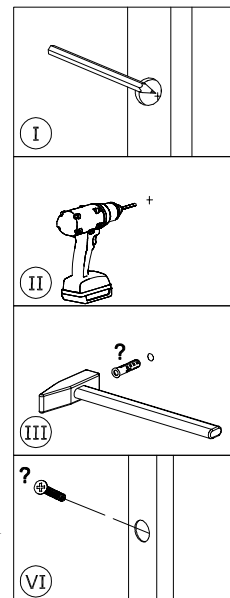
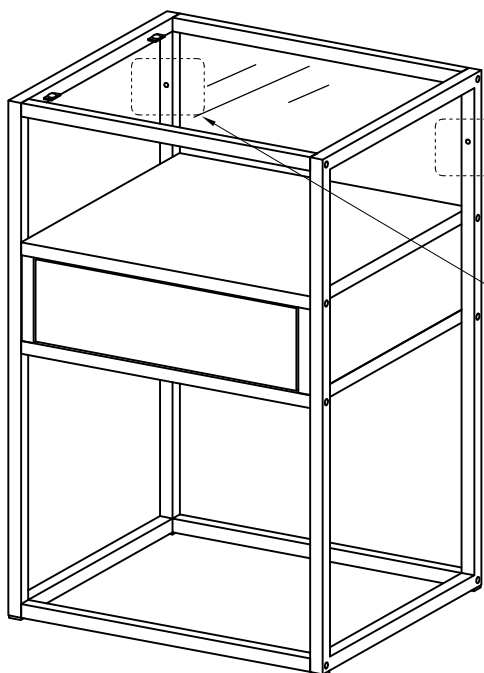
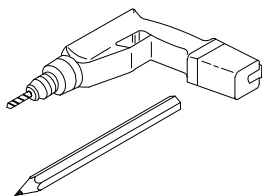
18



19



20



21

