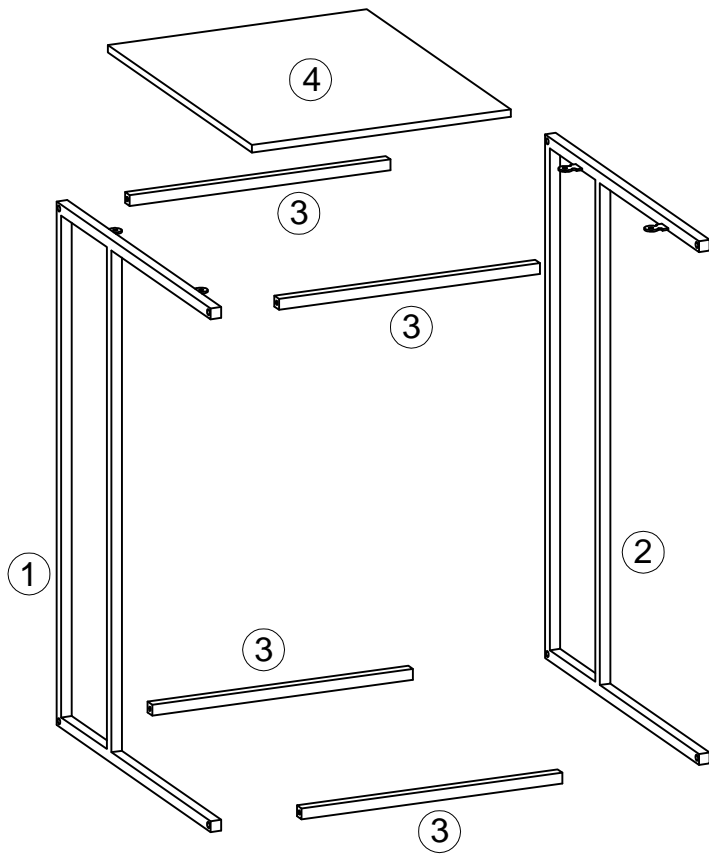
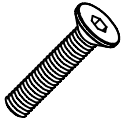
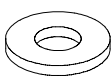

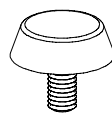

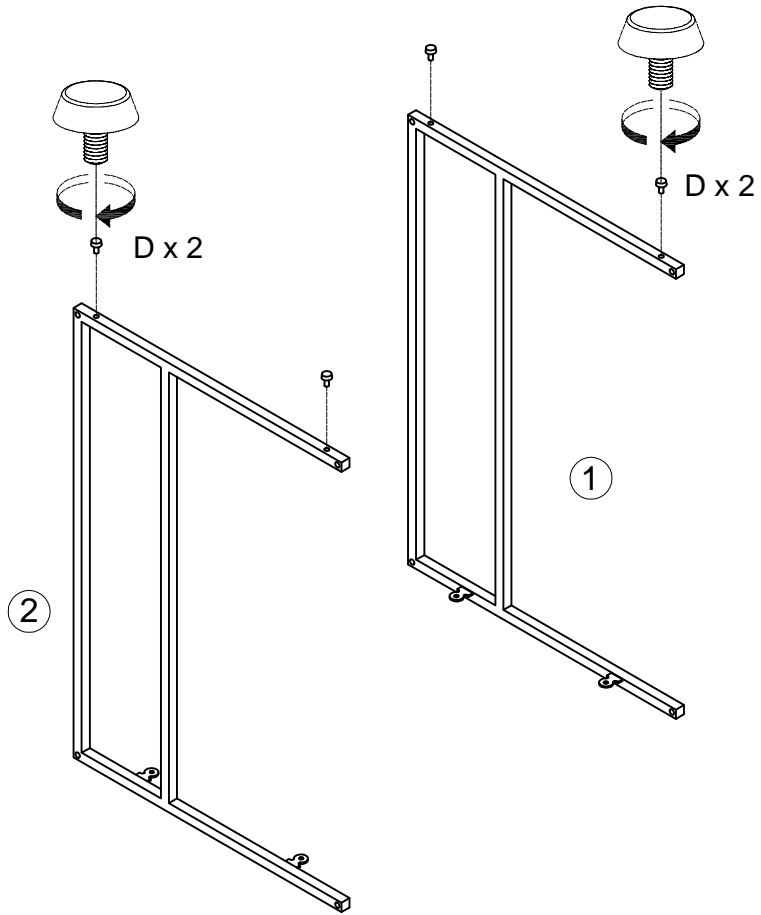
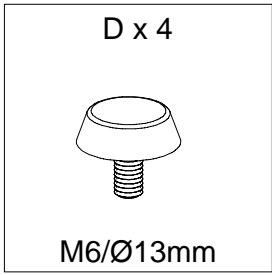


			✓
①	1	625×430×39	
②	1	625×430×39	
③	4	324×13×13	
④	1	403×323*9	

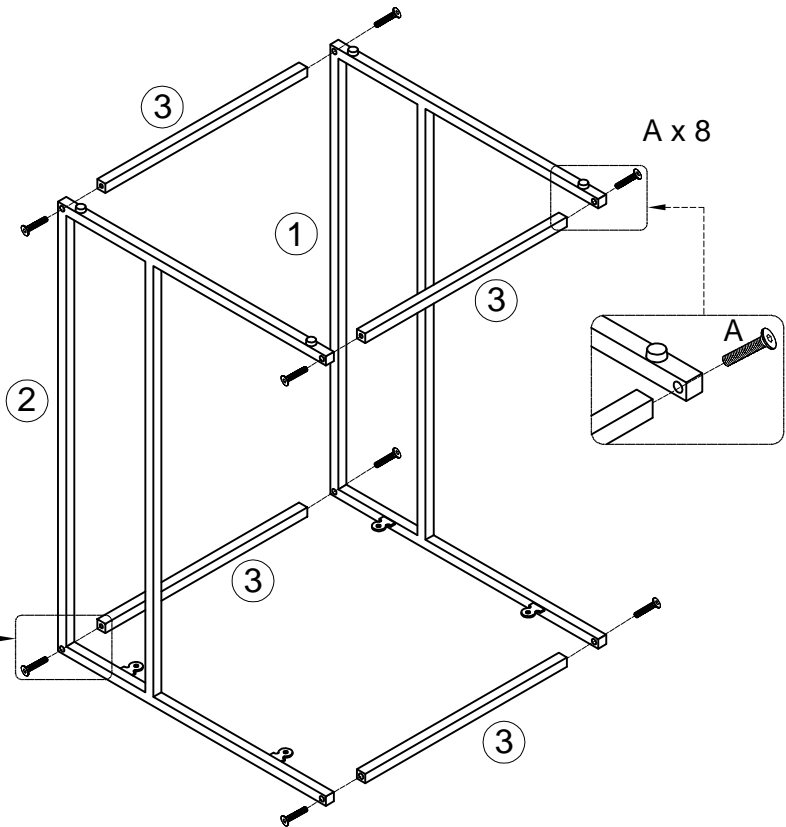
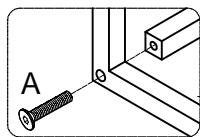
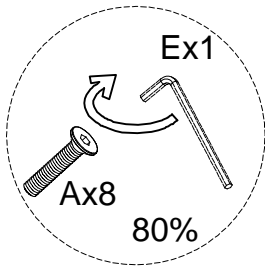
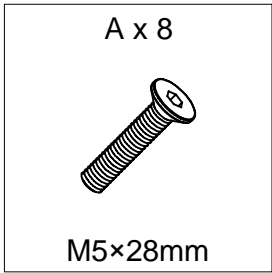


<p>A x 8</p>  <p>M5x28mm</p>	<p>B x 4</p>  <p>Ø4/Ø9mm</p>	<p>C x 4</p>  <p>Ø4x10mm</p>	<p>D x 4</p>  <p>M6/Ø13mm</p>	<p>E x 1</p>  <p>3mm</p>
---	---	---	--	---

1




2




3

B x 4

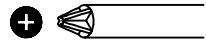


Ø4/Ø9mm

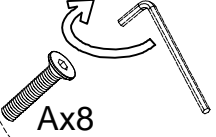
C x 4



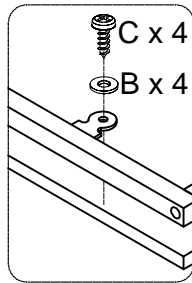
Ø4x10mm



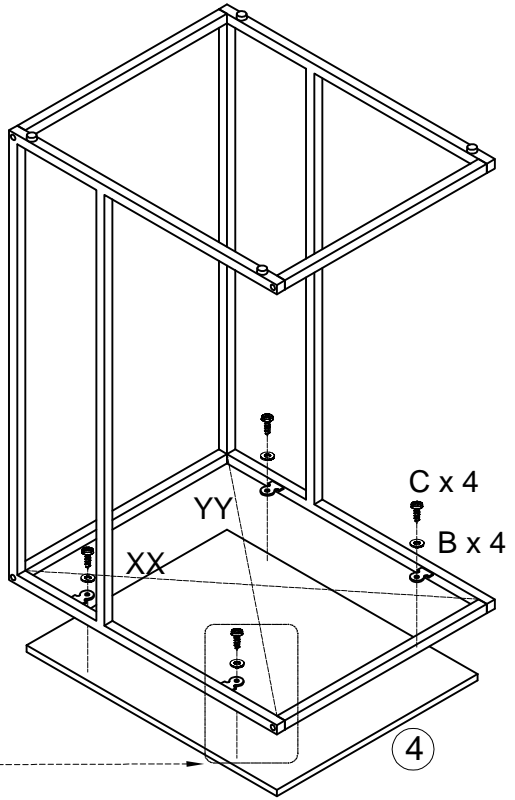
Ex1



Ax8
100%



C x 4
B x 4



4

