



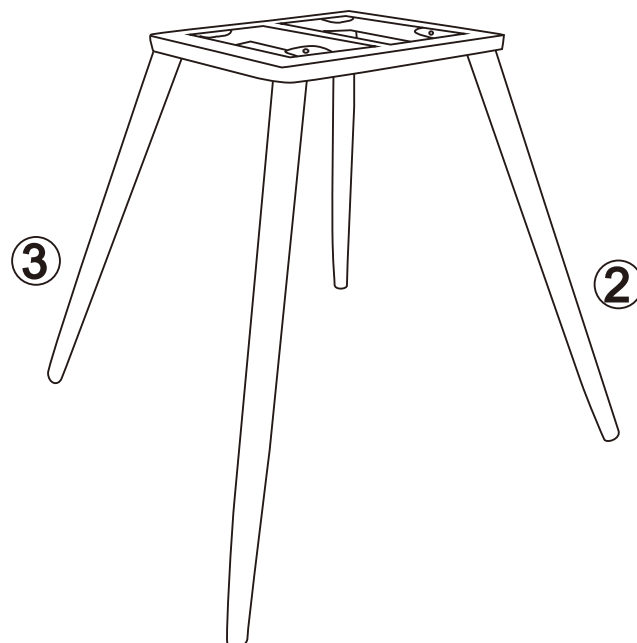
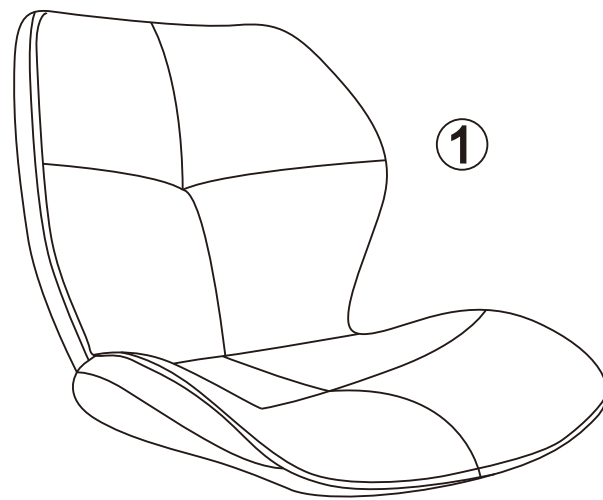
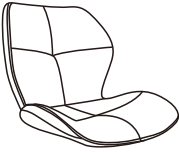
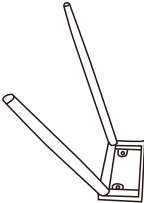
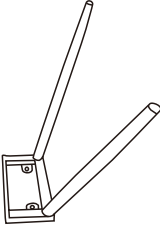

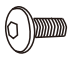






①	1	560*485*400MM	
②	1	490*475*115MM	
③	1	490*475*115MM	

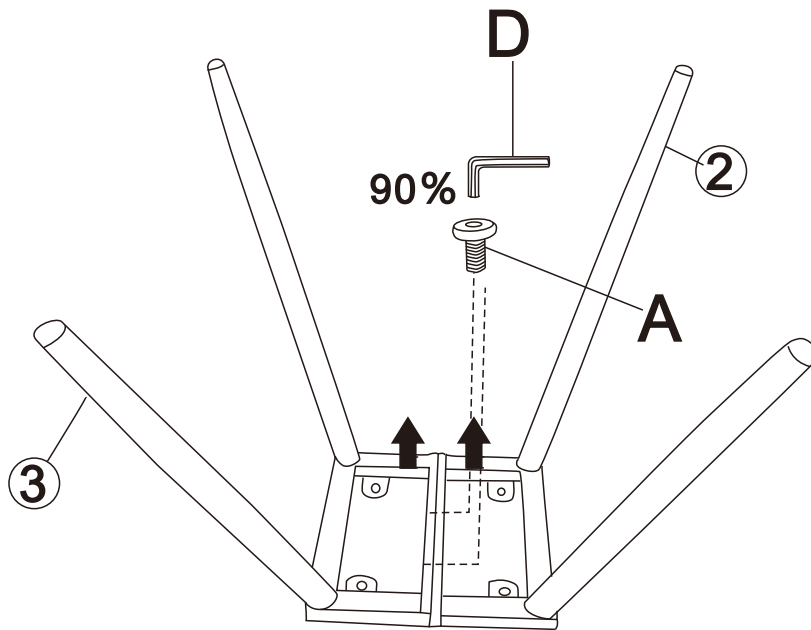
A*2	B*4	C*4	D*1
			
M8*16MM	M6*16MM	\varnothing (16-6) *1MM	5MM



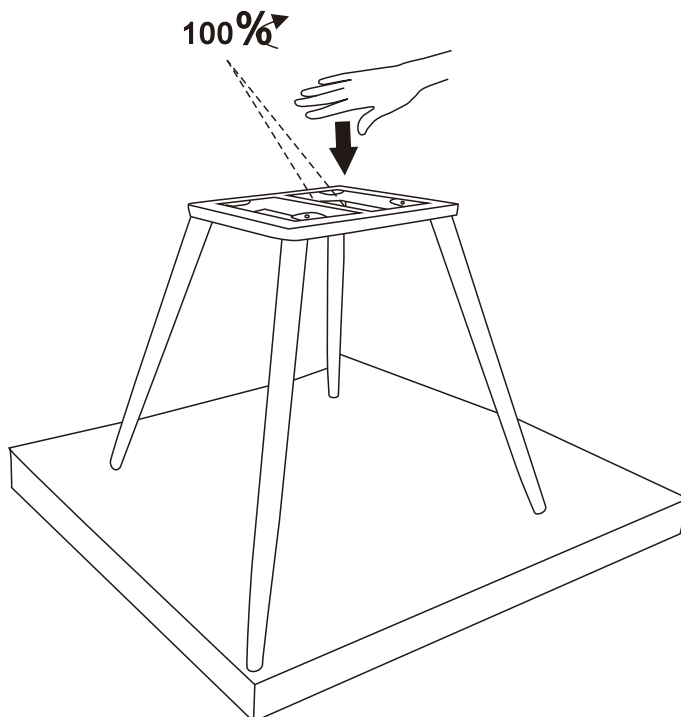
<p>①*1</p> 	<p>②*1</p> 	<p>③*1</p> 	<p>A*2</p>  <p>M8*16MM</p>	<p>B*4</p>  <p>M6*16MM</p>	<p>C*4</p>  <p>φ (16-6) *1MM</p>	<p>D*1</p>  <p>5MM</p>
---	--	--	---	--	---	---

1




<p>A*2</p>  <p>M8*16MM</p>	<p>D*1</p>  <p>5MM</p>
---	---

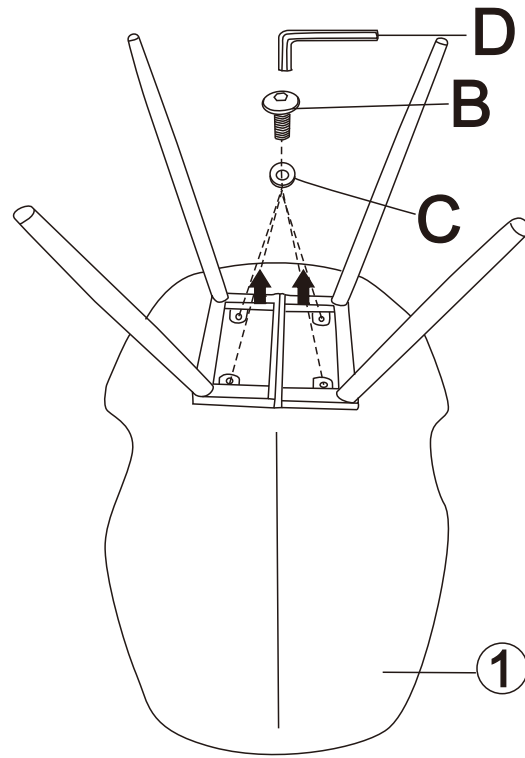


2



3

B*4  M6*16MM	C*4  φ (16-8) *1MM	D*1  5MM
---	---	---



4

