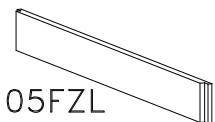
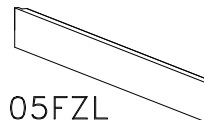
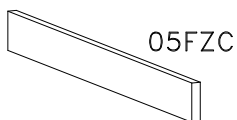
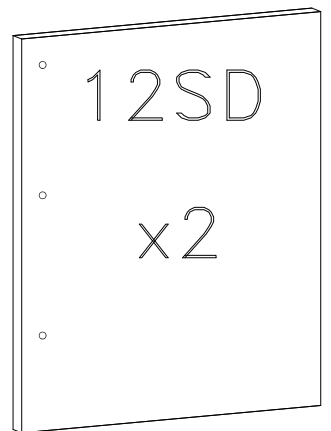
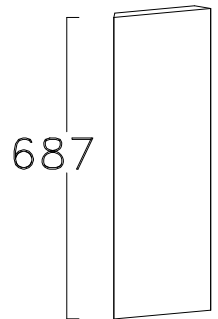
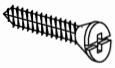
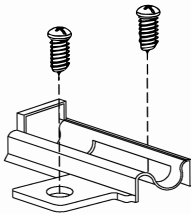
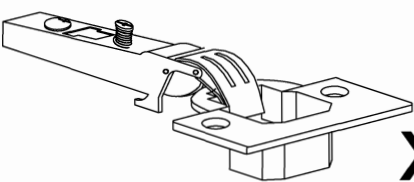
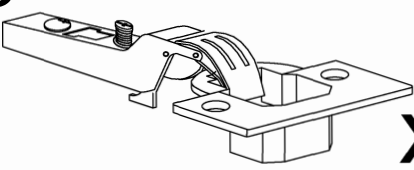




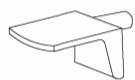

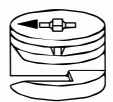


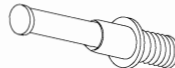
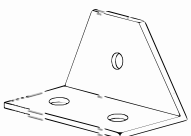

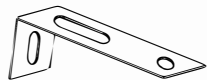
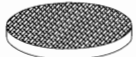


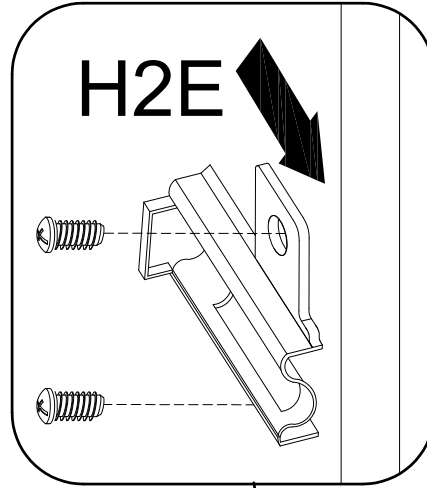
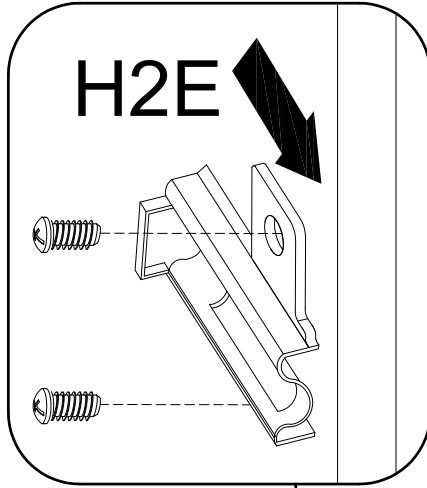
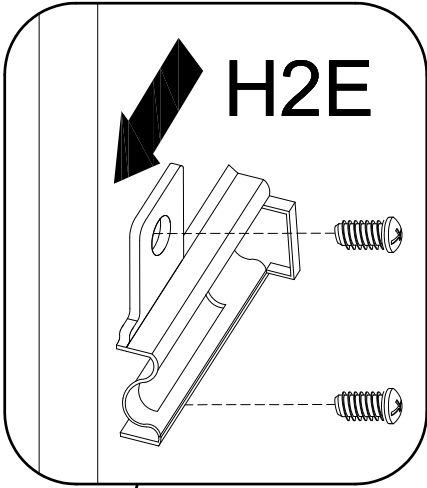
05FZRF

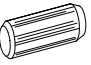



L416		x16	H2E		x6
	4x16 mm.				
CS0		x4	CS8		x2

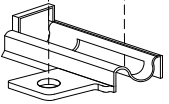
A		x36	P		x6	E		x8
							7x60 mm.	
B		x16	R		x12	L430		x5
	8x30 mm.						4x30 mm.	
C		x8	L418		x51	T9		x8
	∅15 mm.			4x18 mm.		∅9 mm.		
D		x8	P7		x16	T20		x8
						∅20 mm.		
			PST		x1	F3		x8

1

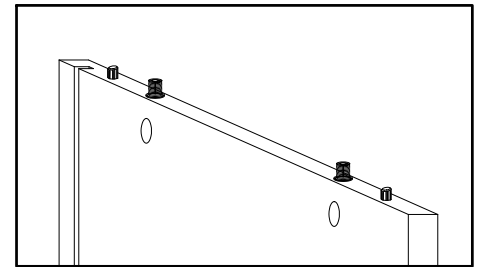
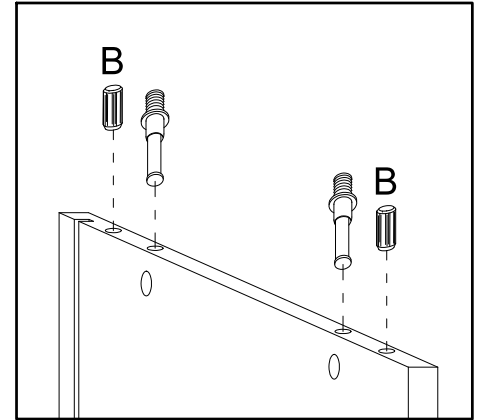
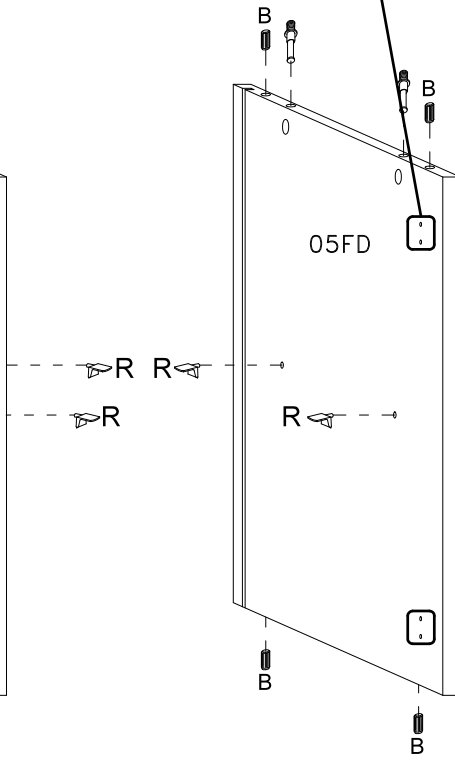
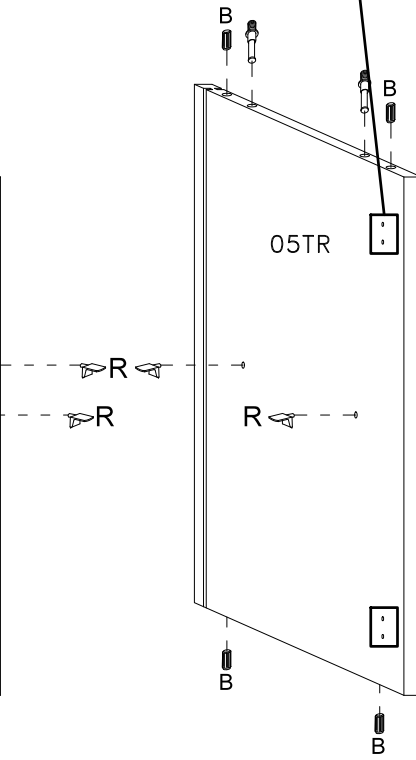
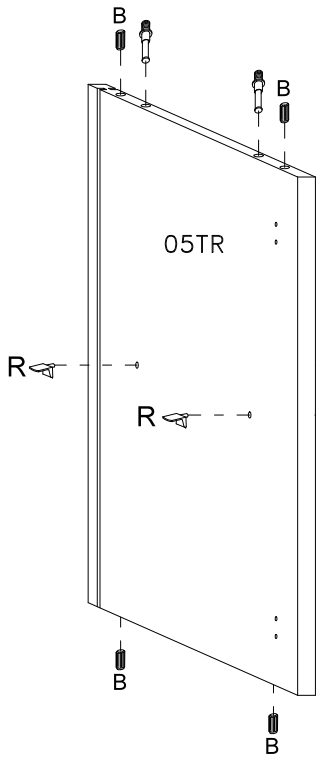
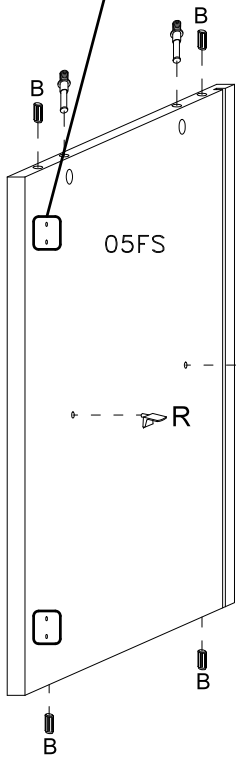


B  x16
8x30 mm.

D  x8

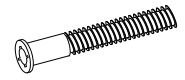
H2E  x6

R  x8



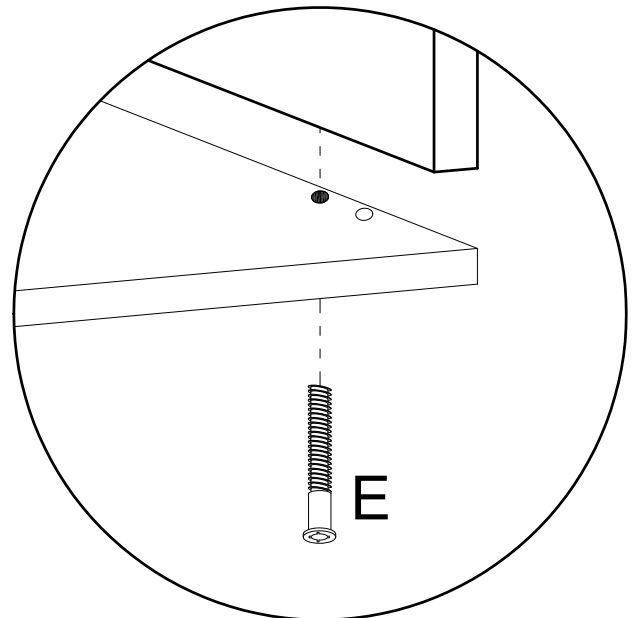
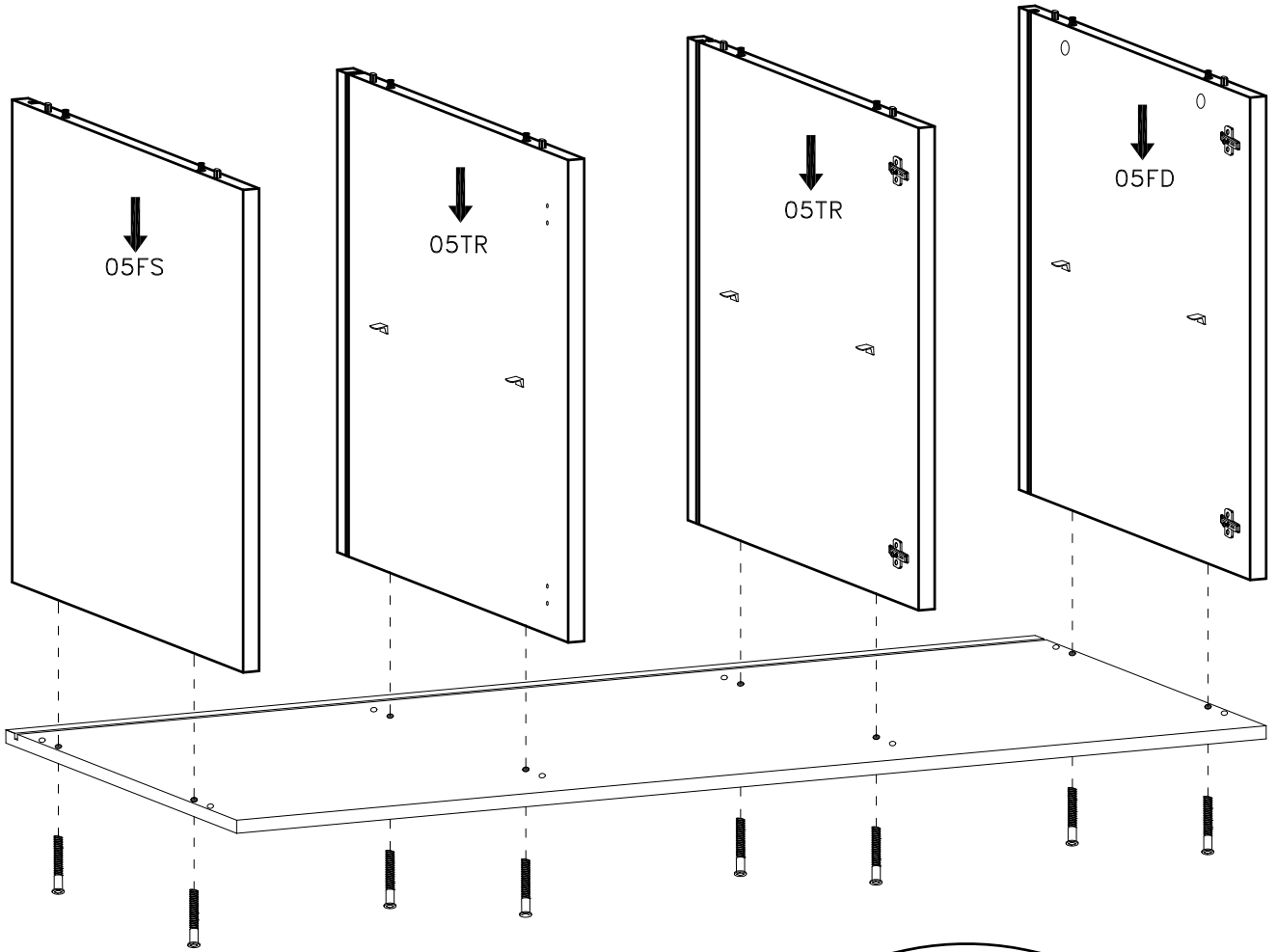
2

E

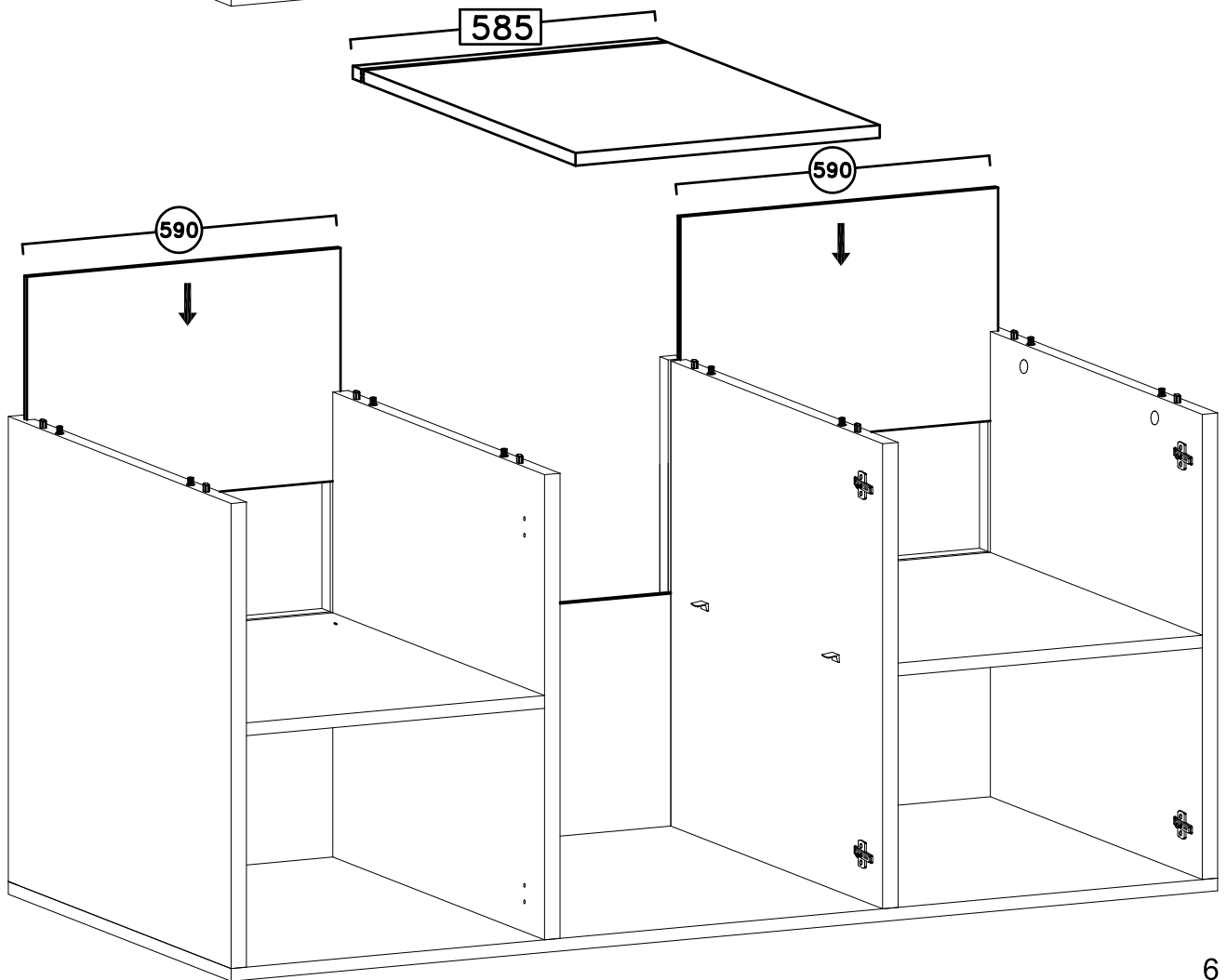
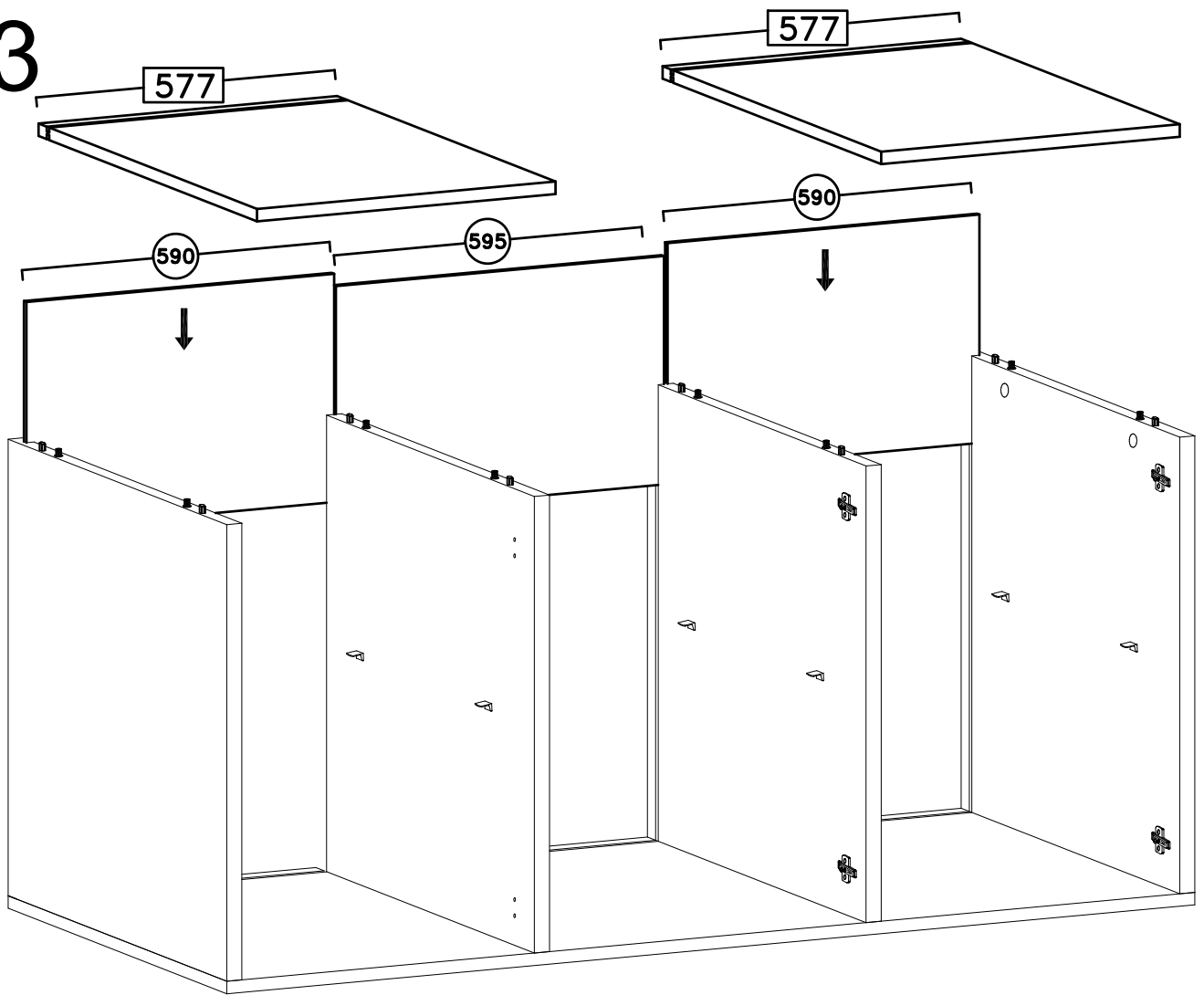


7x60 mm.

x8



3



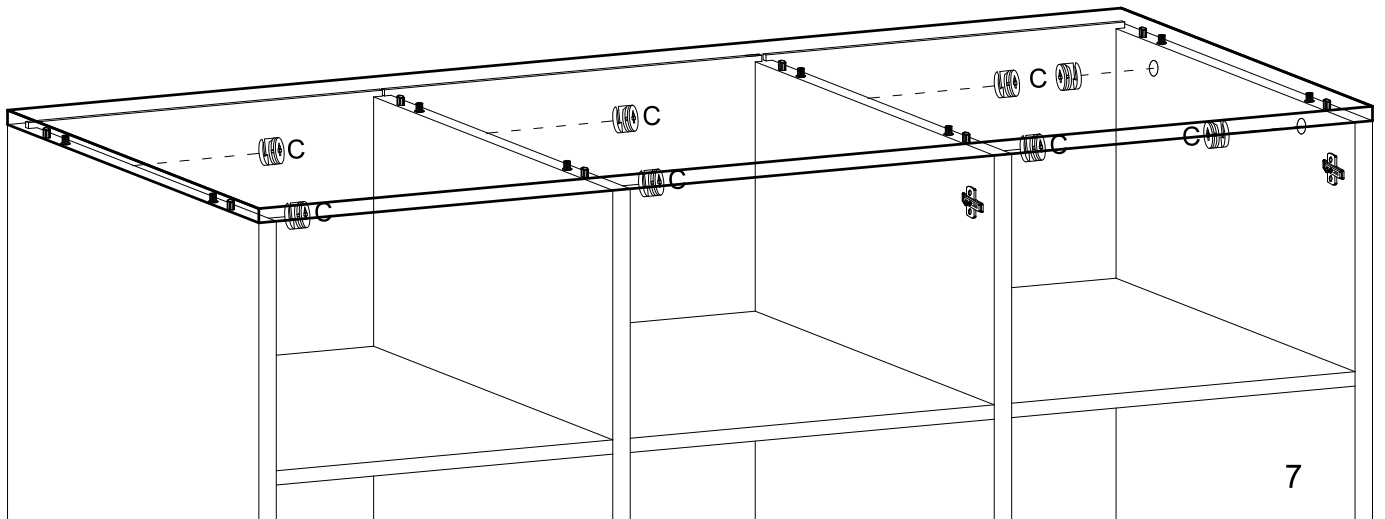
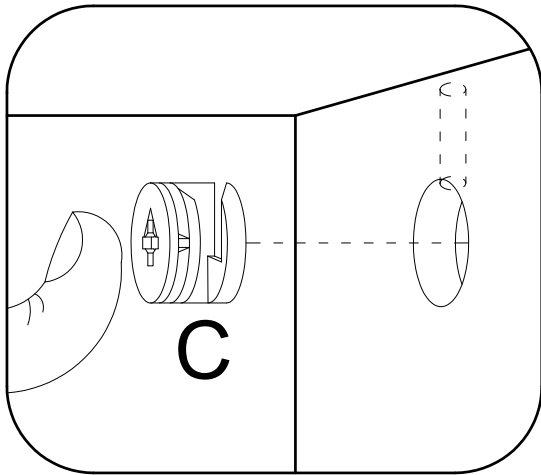
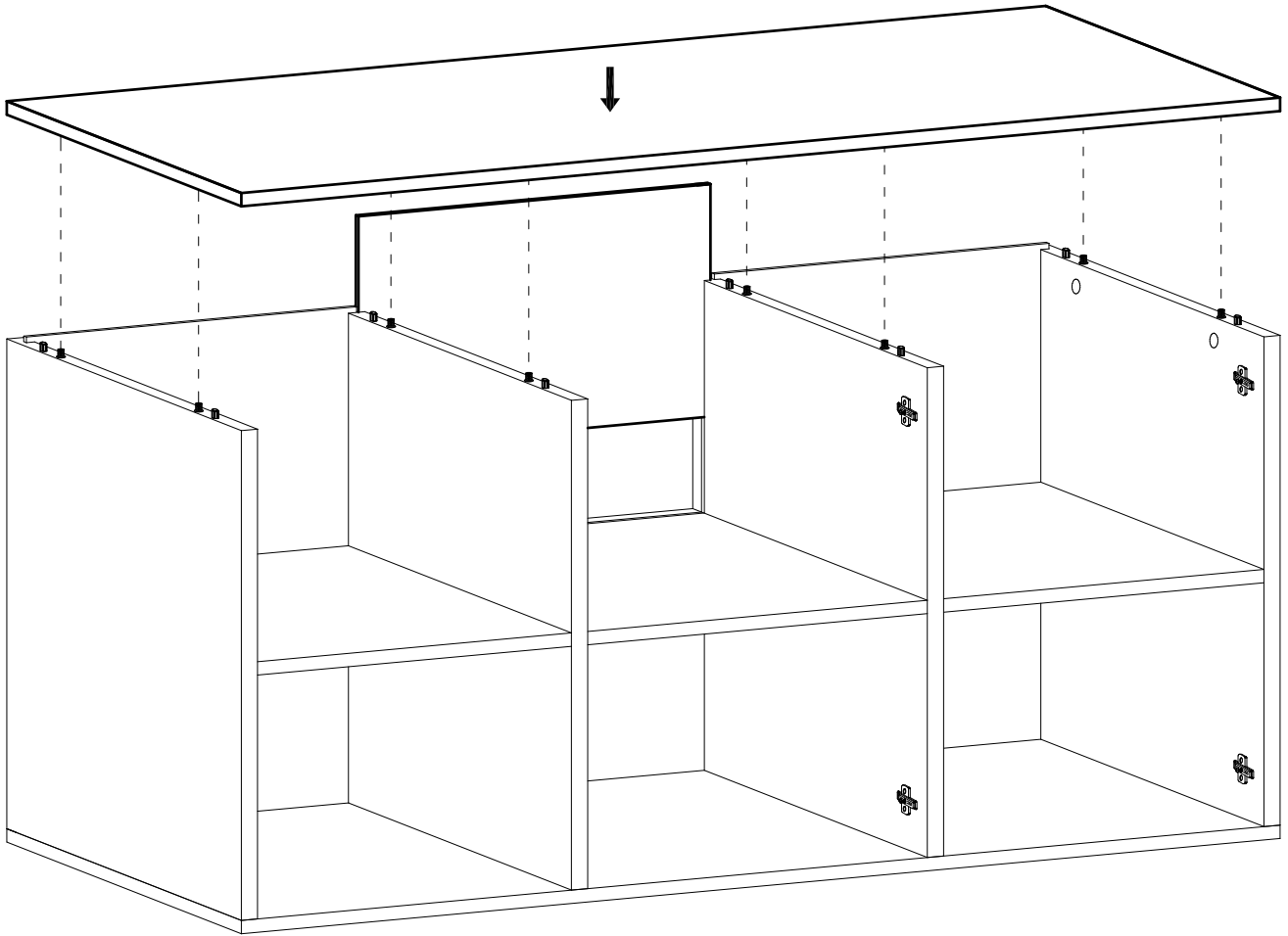
4

C



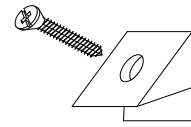
∅15 x 12 mm

x8

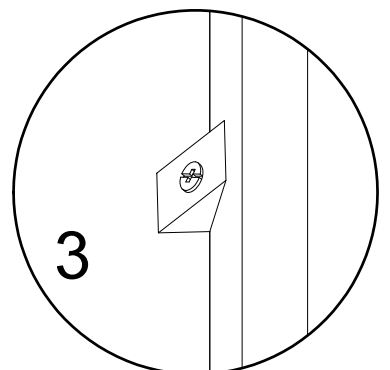
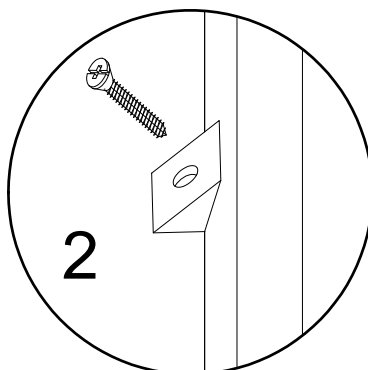
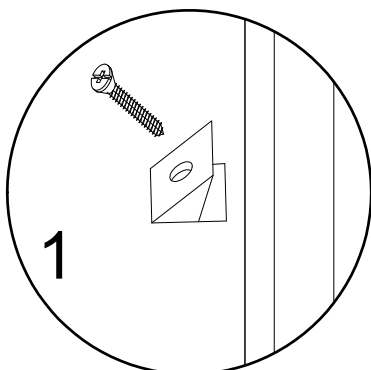
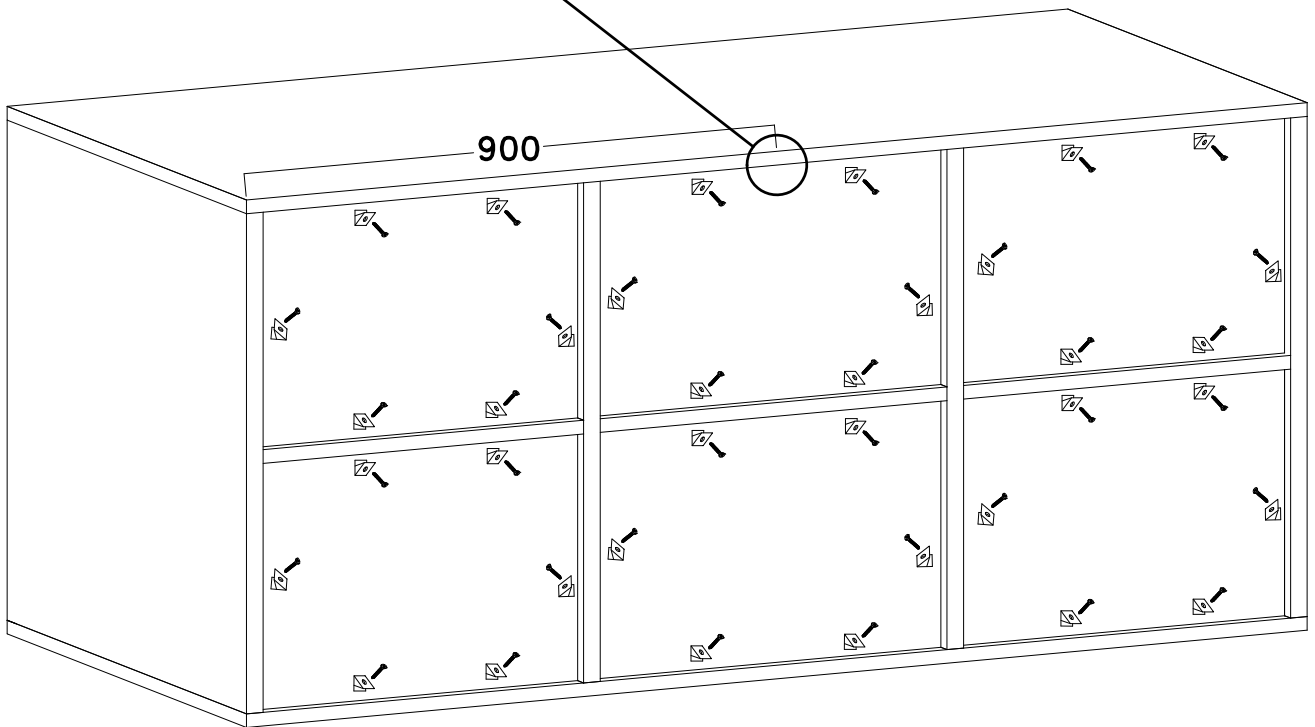
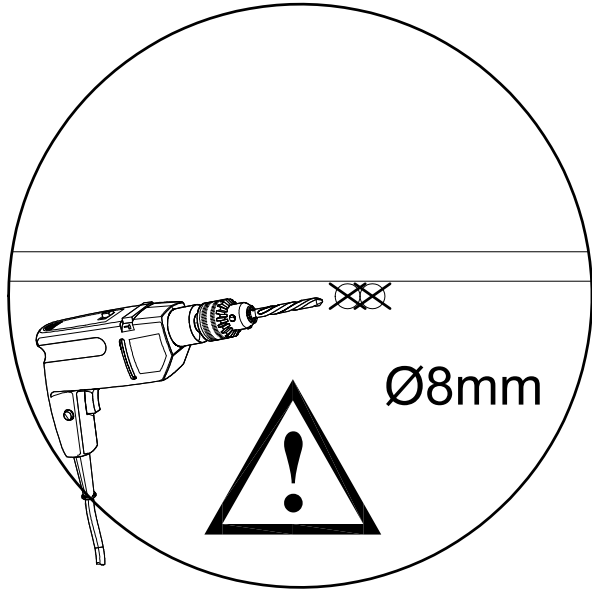
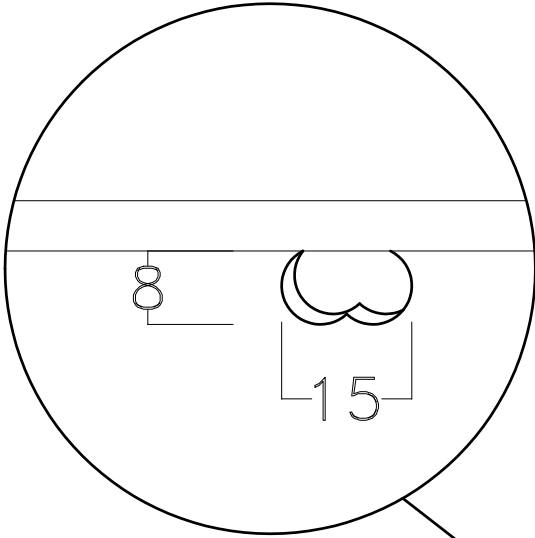


5

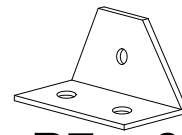
F



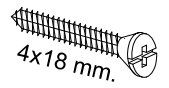
x36



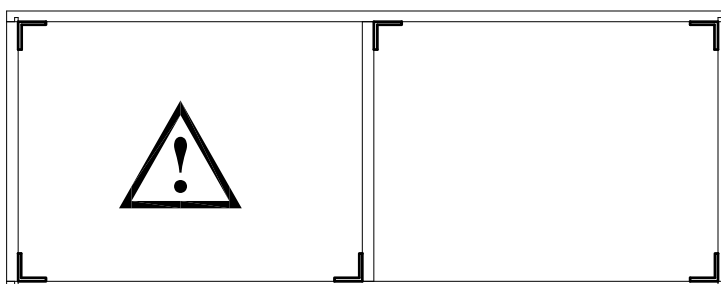
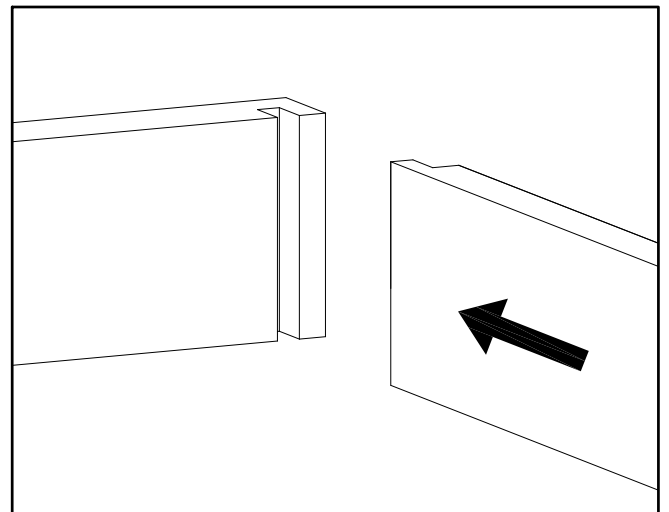
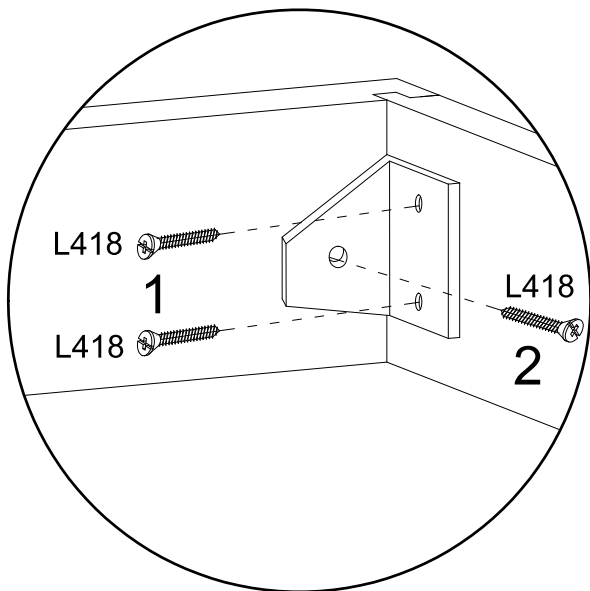
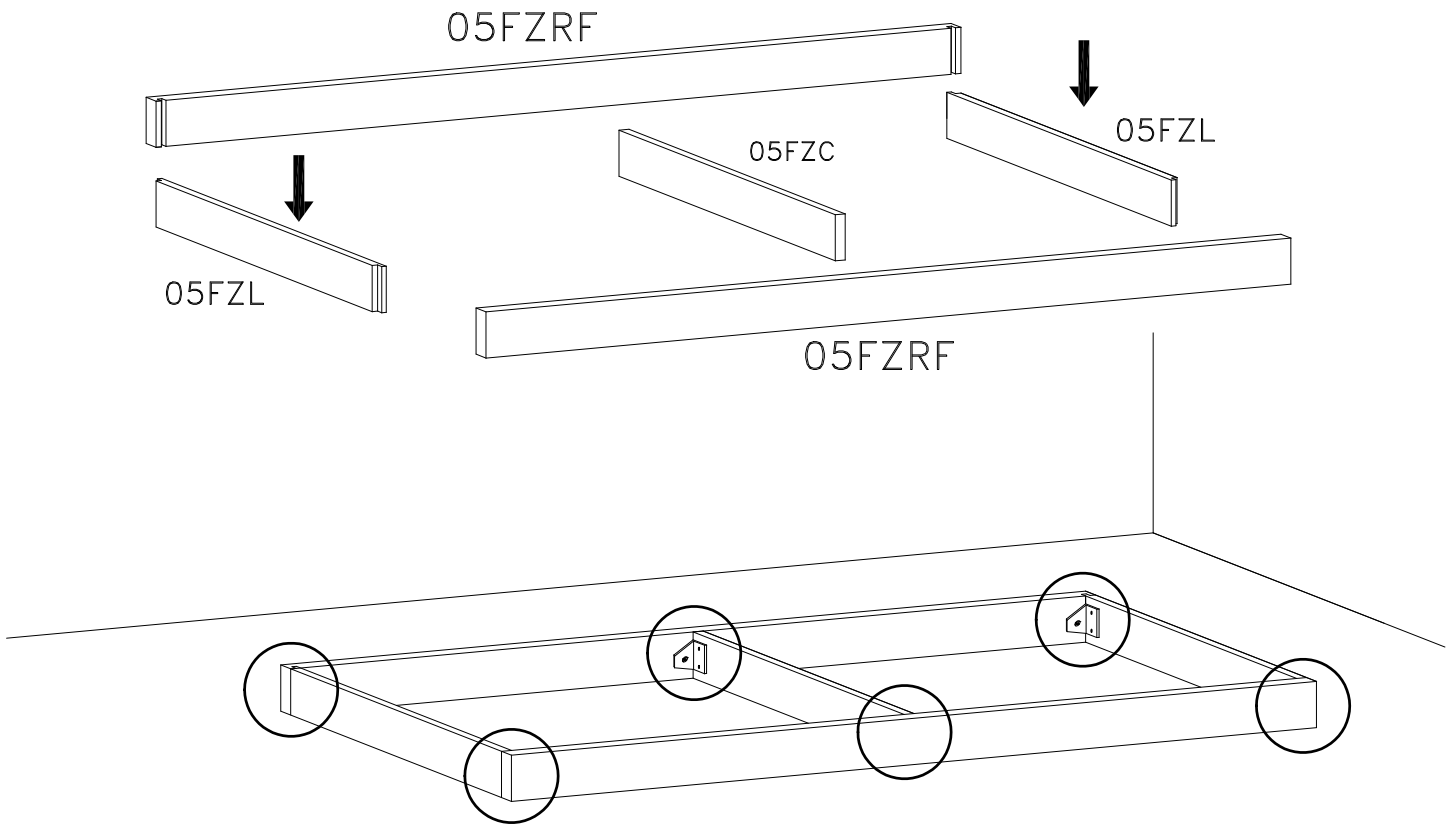
6



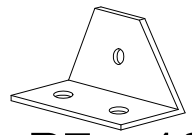
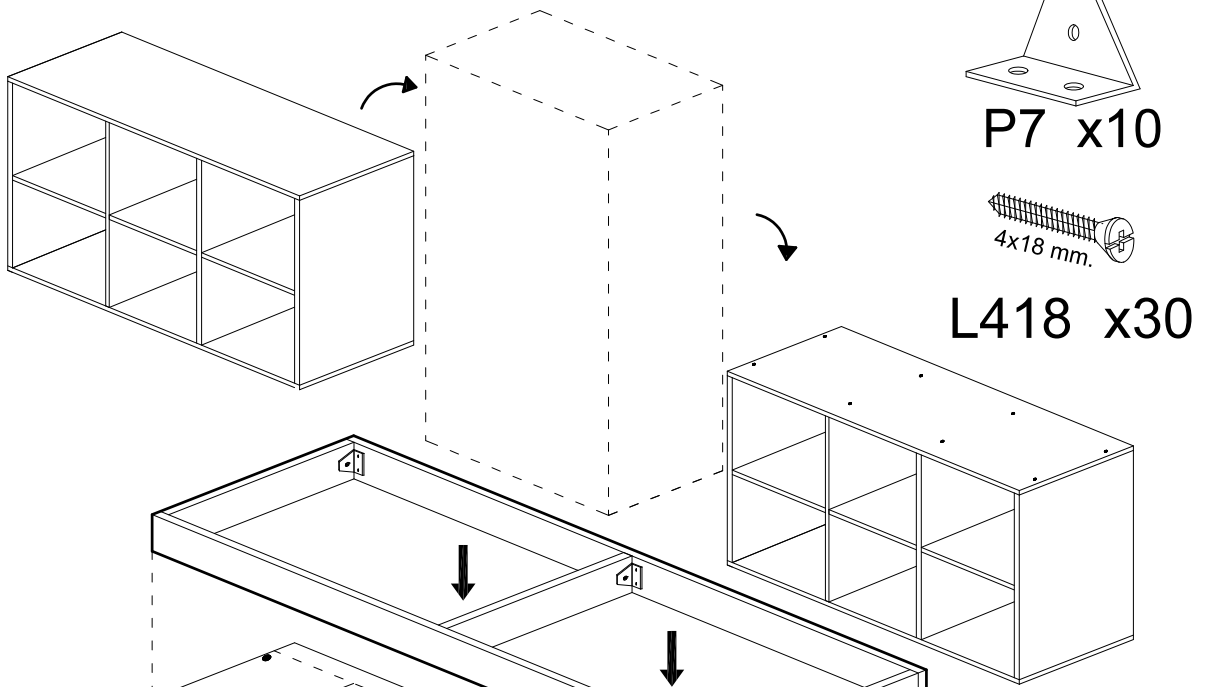
P7 x6



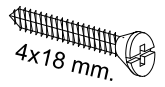
L418 x18



7



P7 x10



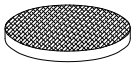
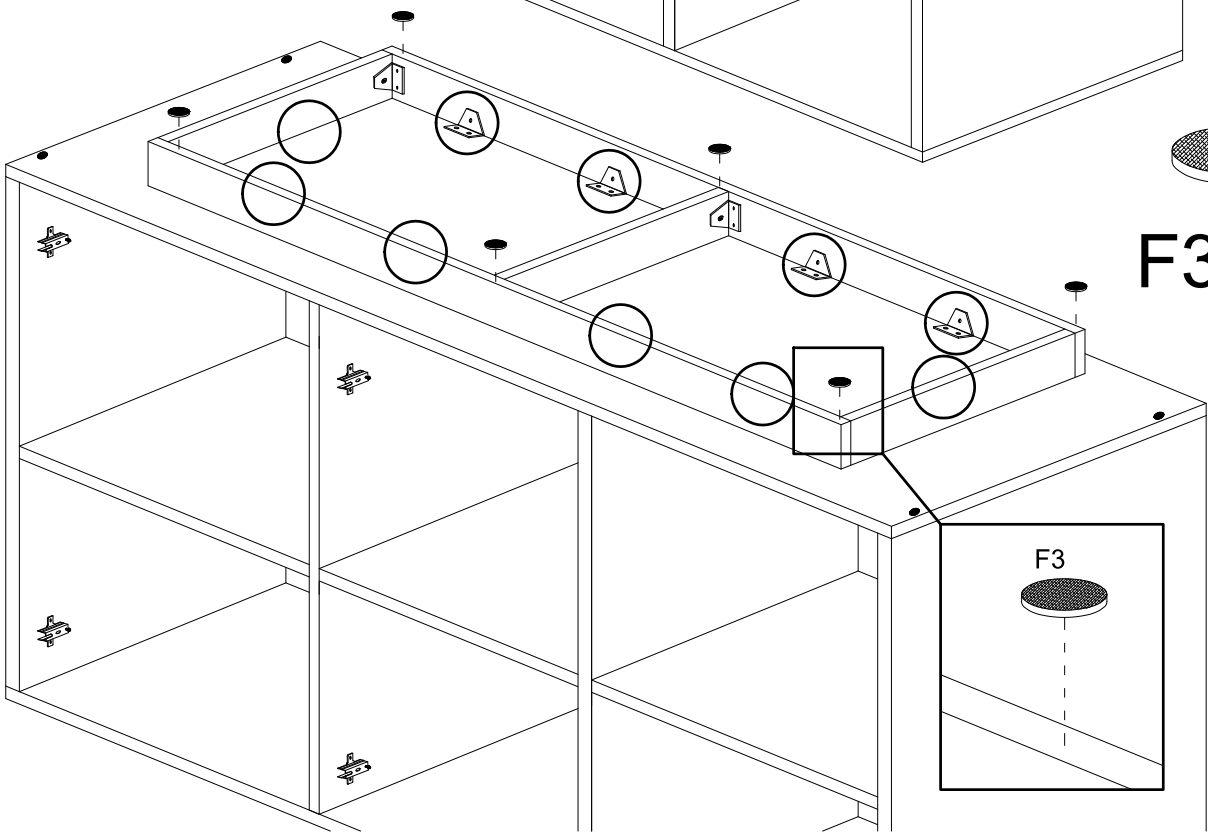
4x18 mm.

L418 x30

60 mm.

15 mm.

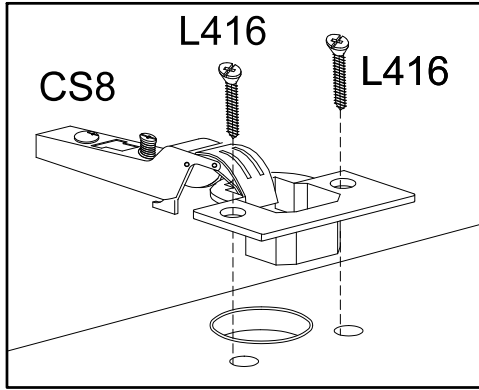
60 mm.



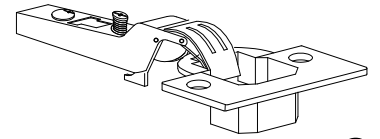
F3 x8

F3

8



CS8



x2

L416



x6

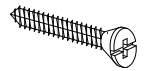
4x16 mm.

P



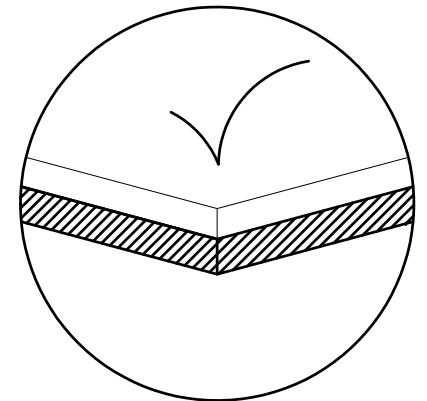
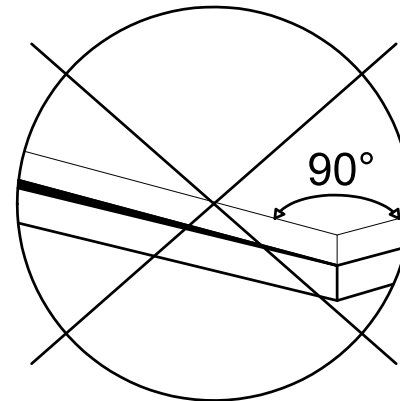
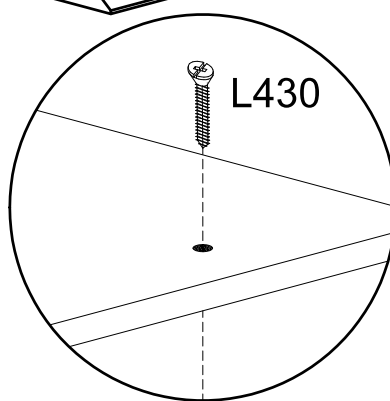
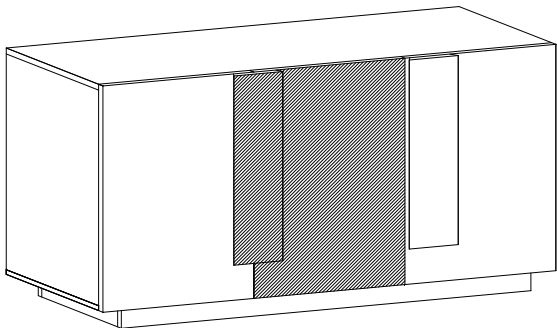
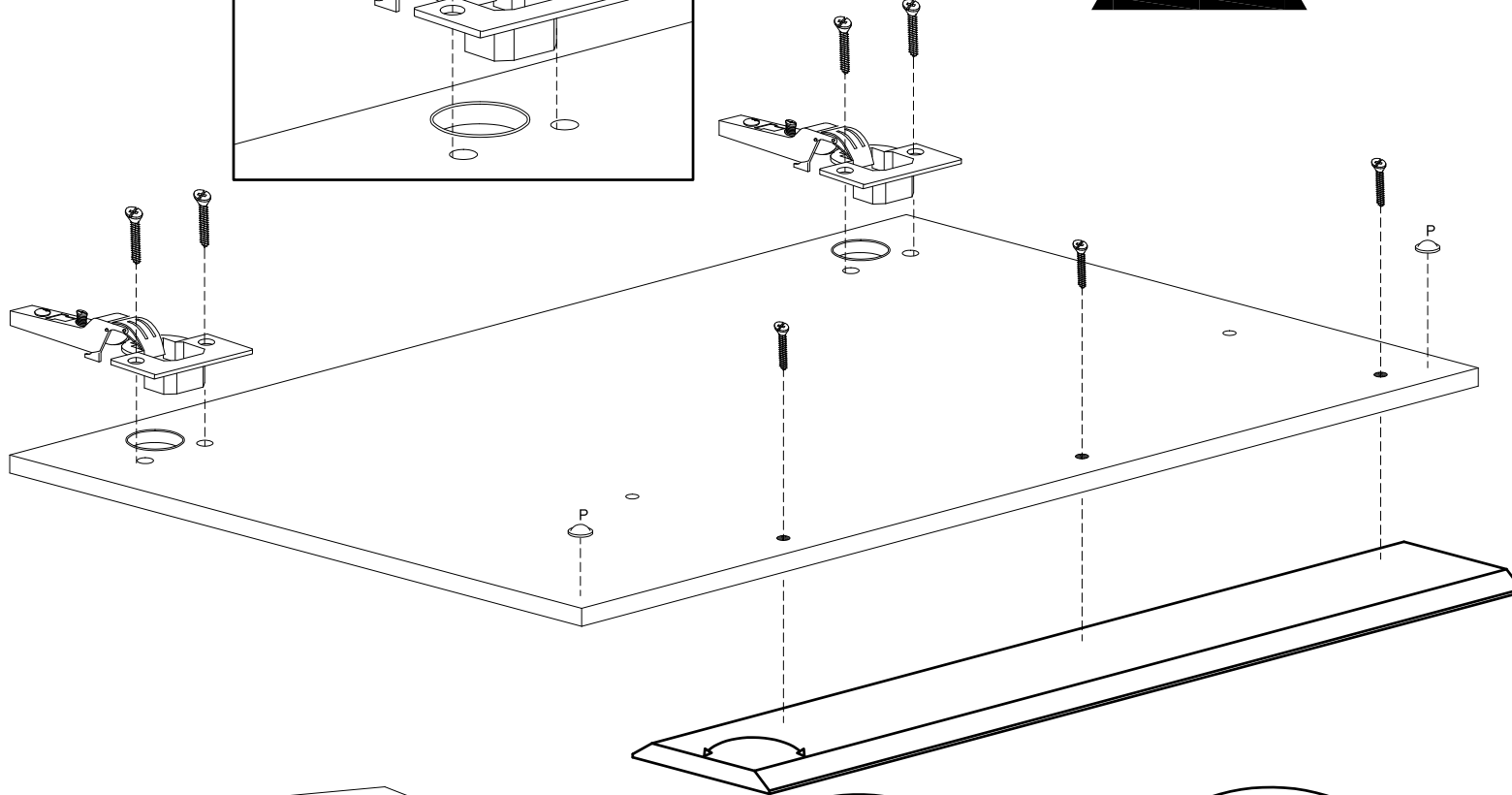
x2

L430

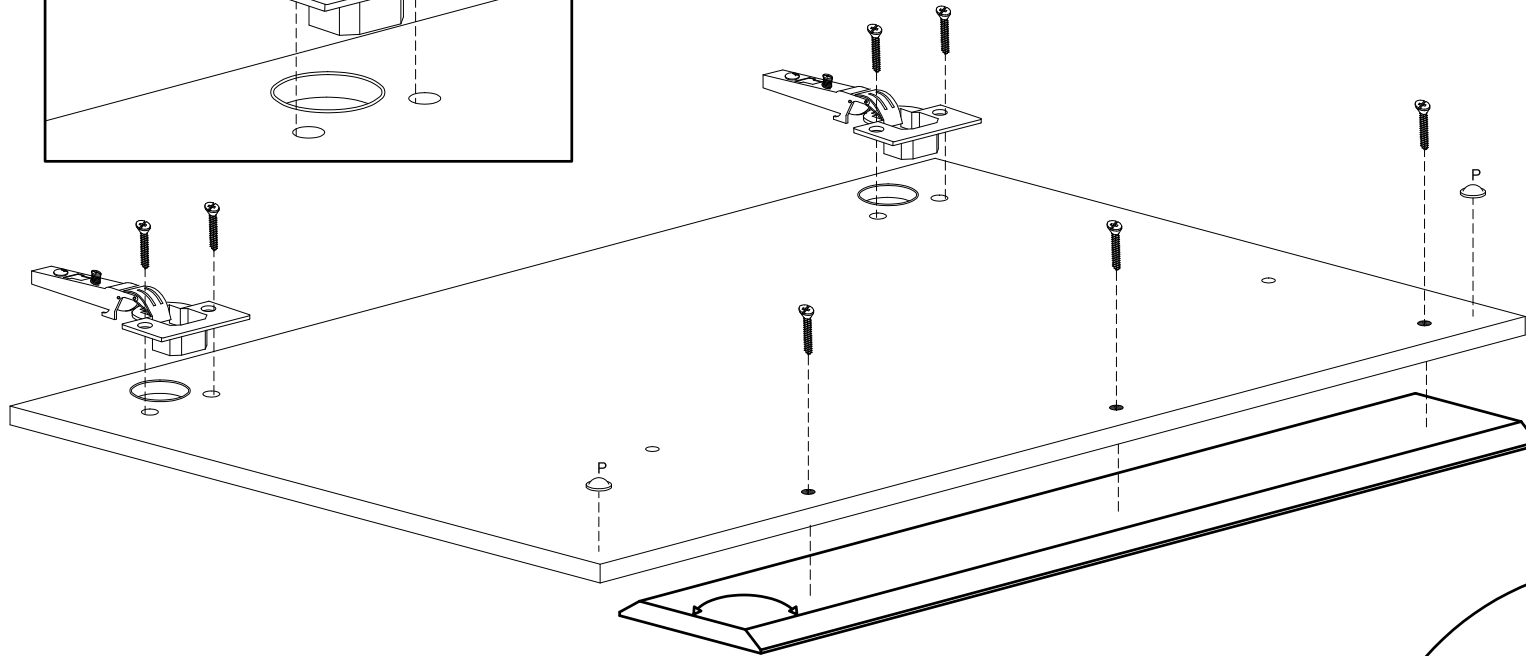
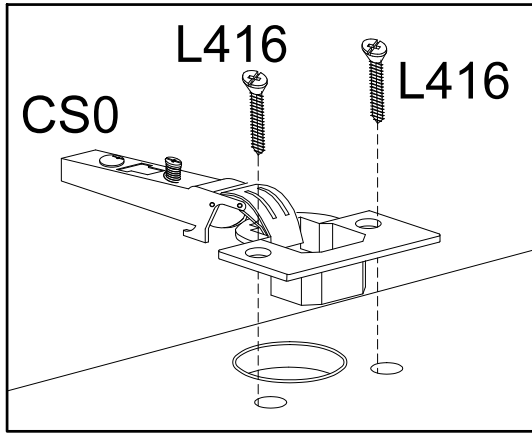


x3

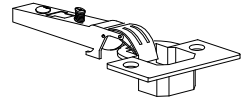
4x30 mm.



9



CS0



x2

L416



4x16 mm.

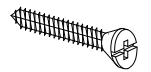
x4

P



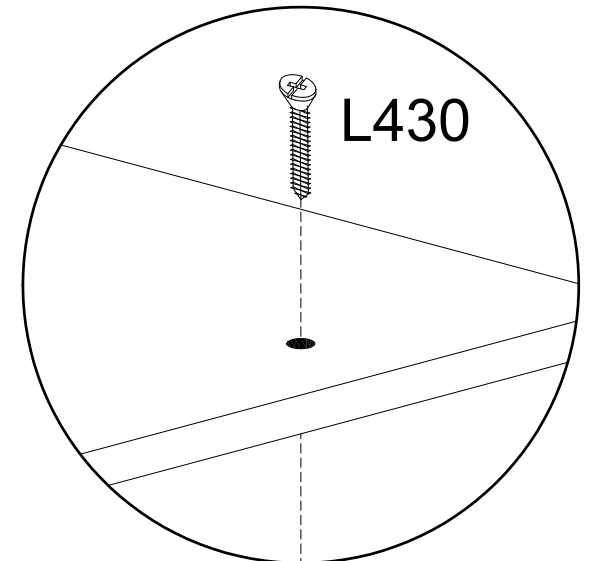
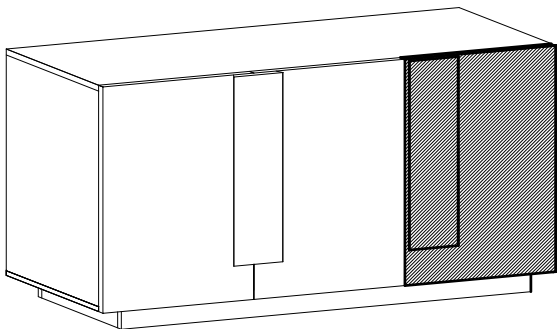
x2

L430

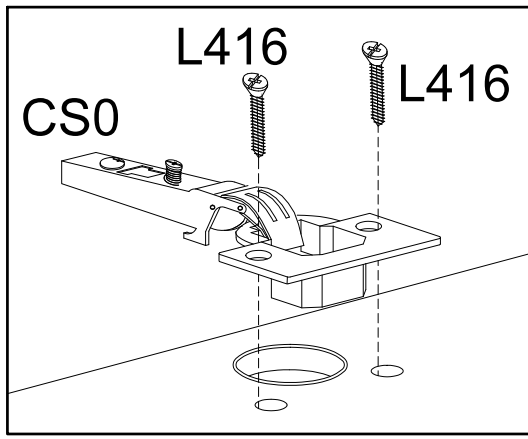


4x30 mm.

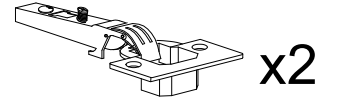
x3



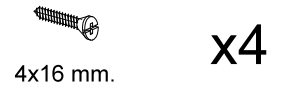
10



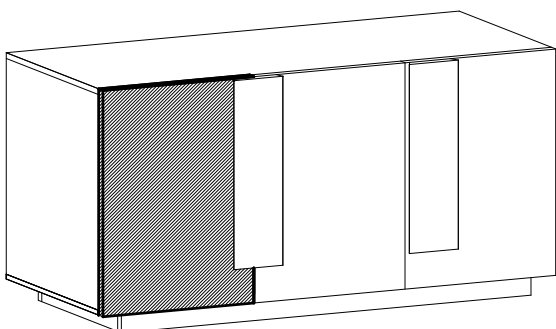
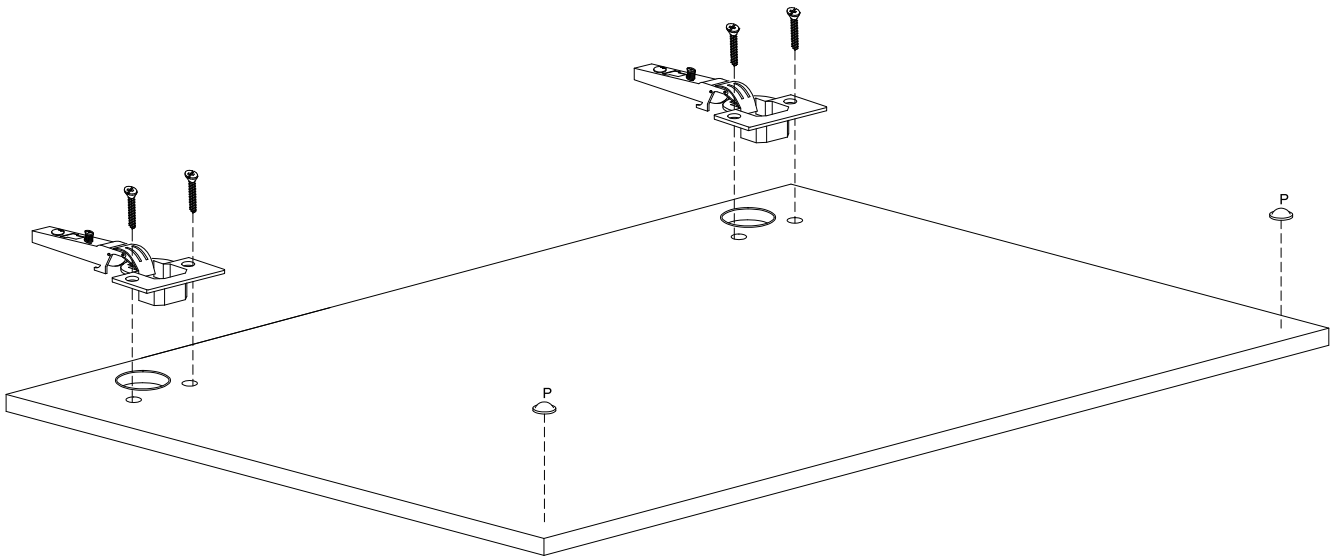
CS0



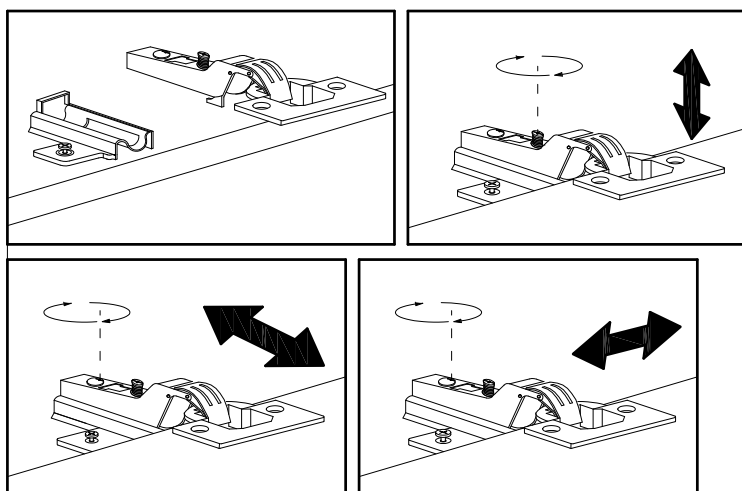
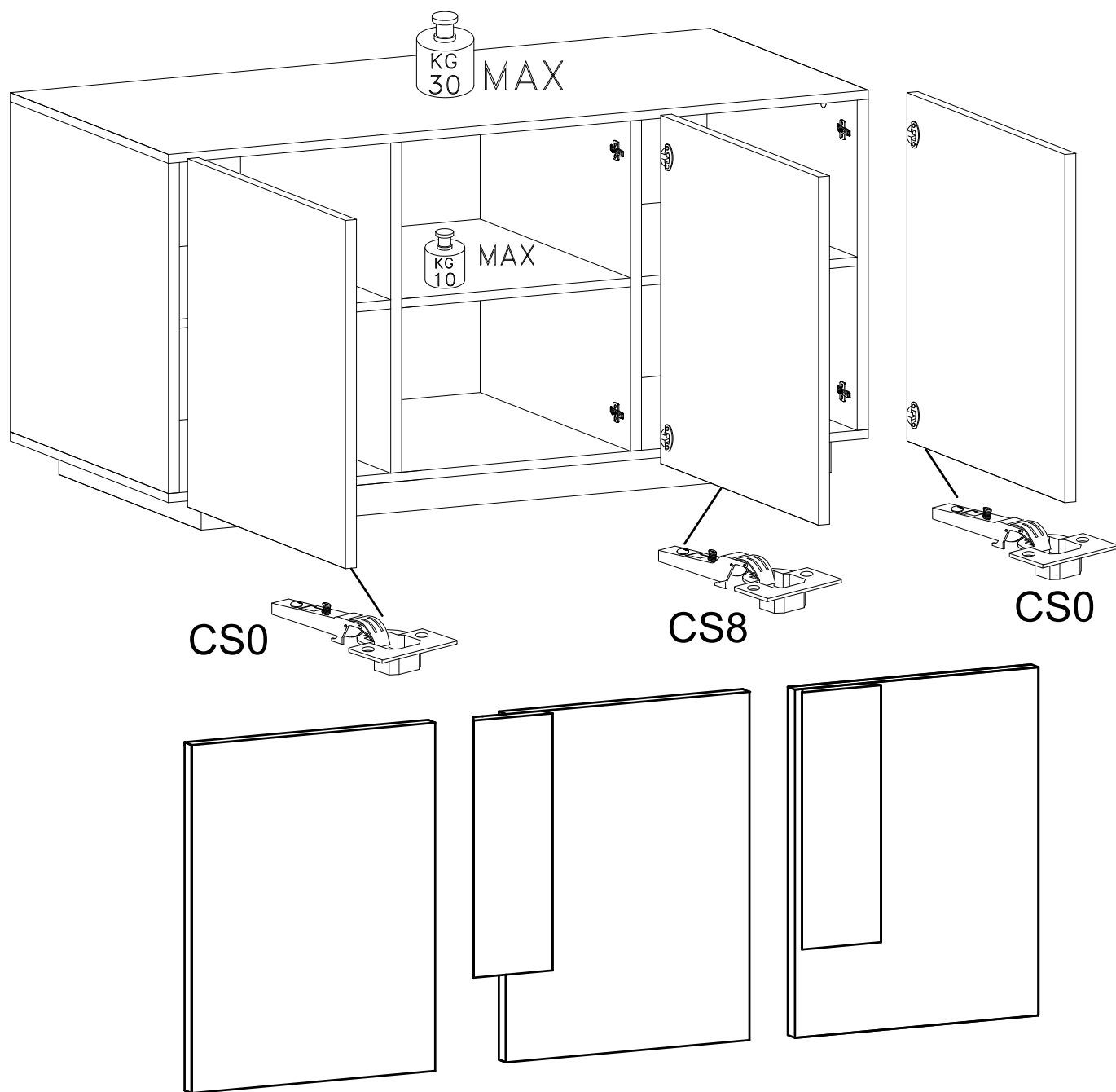
L416



P

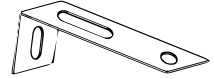


11



11

L418  x2
4x18 mm.

PST  x1

